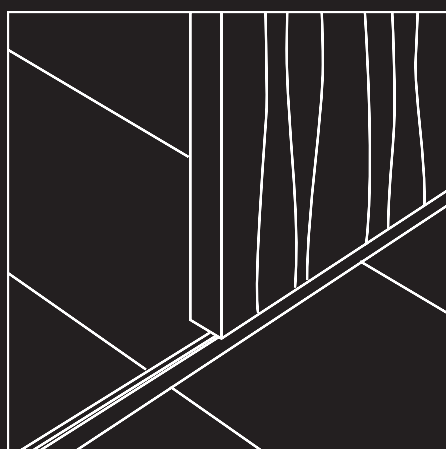
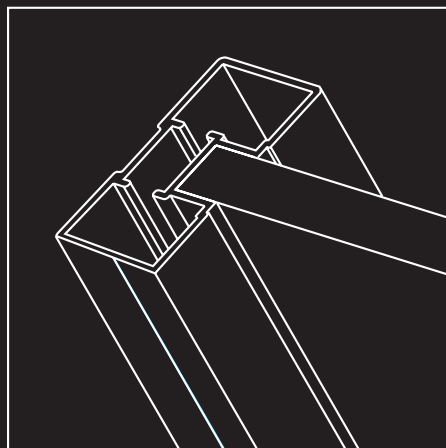
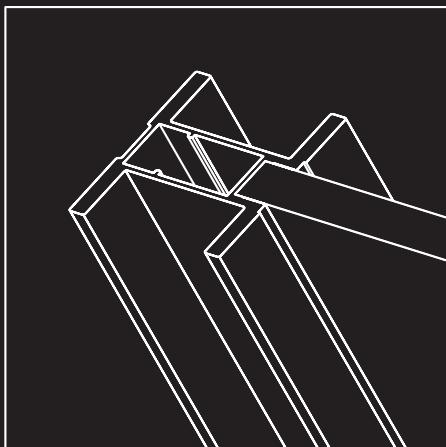


SLIDING DOOR SYSTEM_ S42

TECHNICAL BOOK



System description

Accessories

raumplus

SYSTEM DESCRIPTION_ S42

SLIDING DOOR SYSTEM

SLIDING DOOR SYSTEM_ S42

1.0_ System description, Sliding panel_ page 03

2.0_ Profiles_ page 04

3.0_ System description, Fixed panels_ page 07

4.0_ Profiles_ page 08

5.0_ Accessories / S1600_ page 10

6.0_ Profile finishes_ page 13

7.0_ Panels_ page 14

8.0_ Top tracks_ page 16

9.0_ Bottom Tracks_ page 18

10.0_ Accessories_ page 21

1.1_ Overview

The key features of our made-to-measure system are versatility in customization and quality of our hardware allowing for individual solutions and unparalleled operation. The S42 system is ideal for applications in commercial and residential environments.

Doors can be ordered fully assembled with our standard panel materials or as frame kits to accommodate a panel material of your choosing. Assembly of doors with customer's own materials (COM) is available; please contact Raumplus for more information.

1.2_ Fully assembled door

Made-to-measure per specifications with the following design parameters:

- _ Maximum height 3048mm [10'-0"]
- _ Maximum width 1829mm [6'- 0"]
- _ Maximum weight 180kg [390lbs]
- _ Standard finish: Clear anodized aluminum (silver)
- _ Top / bottom tracks shipped 50mm [2"] over-length for trimming on-site
- * Door sizes limitations, per panel material selection

System components (quantity per door):

Top Track

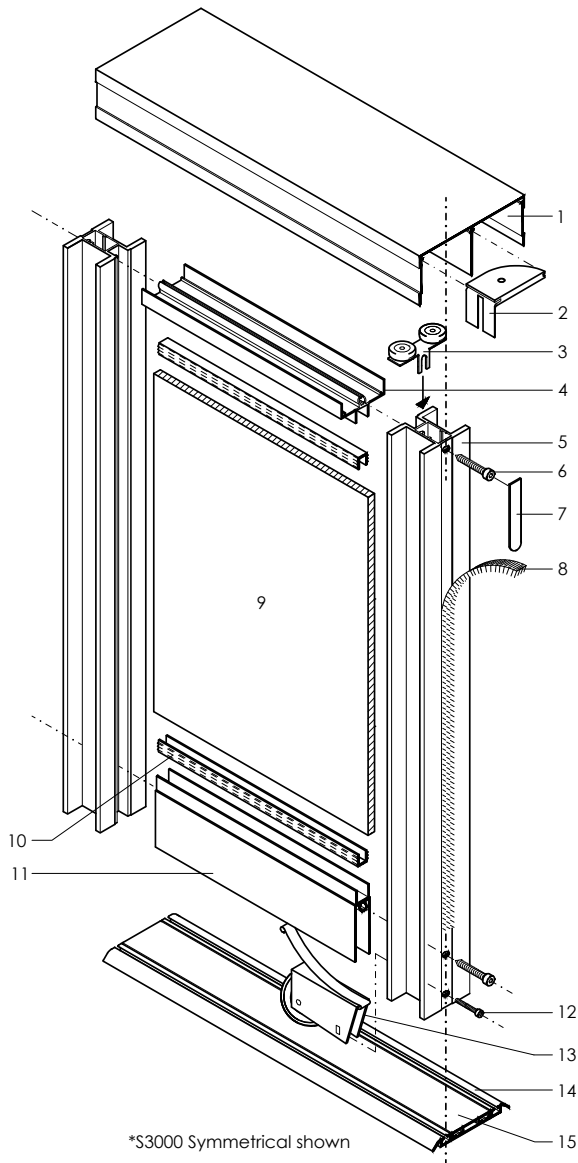
- 1_ Top track (varies by order)
- 2_ Positioning for top track (2)

Door

- 3_ Top roller (2)
- 4_ Top rail (1)
- 5_ Stile (2)
- 6_ Frame screw (4)
- 7_ Plug / cover (4)
- 8_ Brush gasket (1 stile only)
- 9_ Panel (varies by order)
- 10_ Panel gasket (all sides of panel)
- 11_ Bottom rail (1)
- 12_ Height adjustment screw (2)
- 13_ Bottom roller (2)

Bottom track

- 14_ Bottom track (varies by order)
- 15_ Inset cover (for double or triple tracks only)
- 16_ Reinforcement plate * not shown



1.3_ Frame kit

Frame kits are made-to-measure per specifications and ready for assembly using customer's own panel material. In addition to the design parameters listed for fully assembled doors, please consider the following:

Maximum height 3048mm [10'-0"]

Maximum width 1829 [6'-0"]

_ Minimum panel thickness 4mm [5/32"]

_ Maximum glass thickness 8mm [5/16"]

_ Maximum solid panel thickness 10mm [3/8"]

Appropriate panel gasket to be specified when ordering:

_ 4mm [5/32"], 5mm [3/16"], 6mm [1/4"], 7mm [9/32"], 8mm [5/16"]

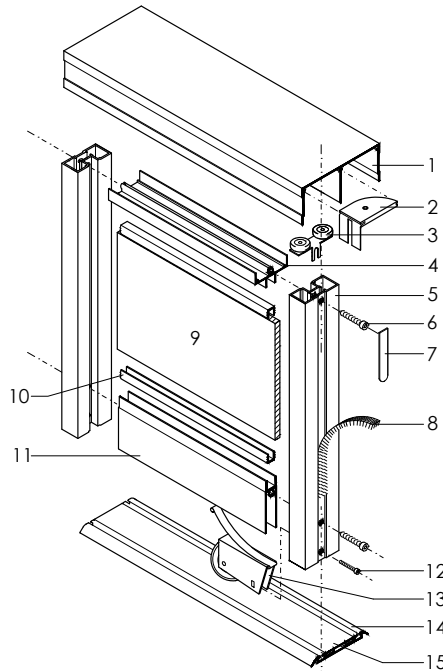
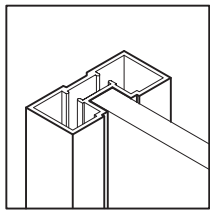
Gasket not required for solid 10mm [3/8"] material

SYSTEM DESCRIPTION_ S42

SLIDING DOOR SYSTEM

2_ Profiles

2.1_ S1500 Isometric view



Each sliding door is composed of the following:

Top track

- 1_ Top track (varies by order)
- 2_ Positioning for top track (2)

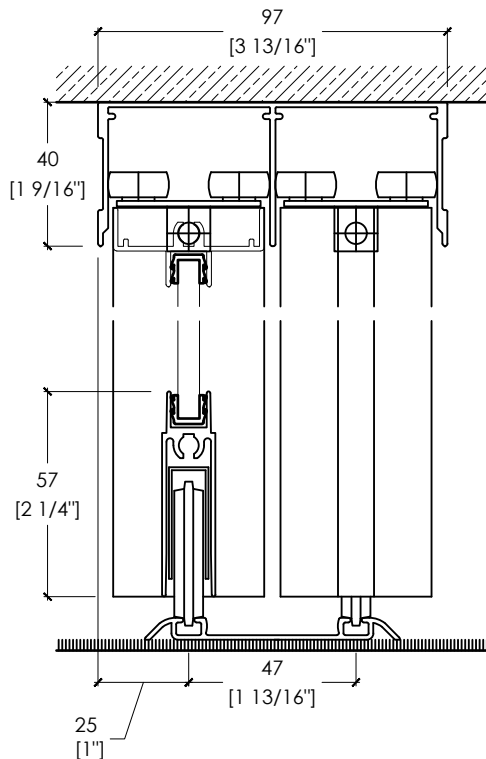
Door

- 3_ Top roller (2)
- 4_ Top rail (1)
- 5_ Stile (2)
- 6_ Frame screw (4)
- 7_ Plug / cover (4)
- 8_ Brush gasket (1 stile only)
- 9_ Panel (1)
- 10_ Panel gasket (all sides of panel)
- 11_ Bottom rail (1)
- 12_ Height adjustment screw (2)
- 13_ Bottom roller (2)

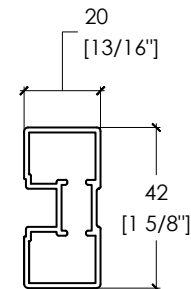
Bottom track

- 14_ Bottom track (varies by order)
- 15_ Inset cover (varies by order)
- 16_ Reinforcement plate * not shown

S1500 Section and stile detail



Square



S1500 Stile

Finish

Standard: Clear anodized aluminum (silver)

Application

Residential / commercial projects

Room dividers or passage doors

* Doors do not have ability to telescope when used in multiples

Dimensions

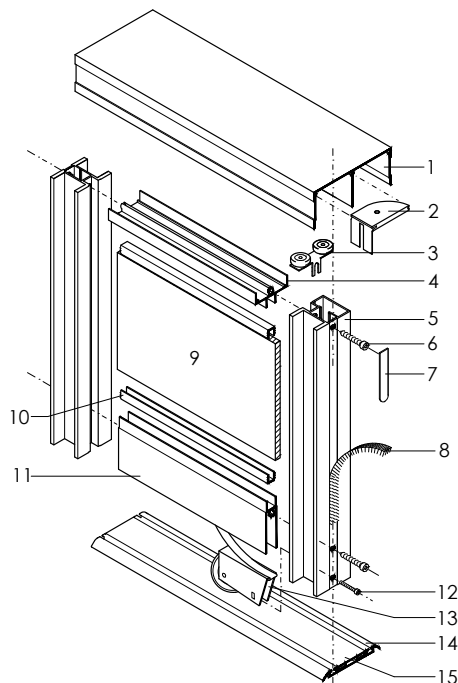
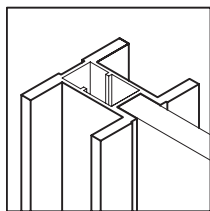
Max size 1829mm x 3048mm [6' x 10']

Max weight 180kg [390lbs]

Panel thickness 4mm [3/16"] to 10mm [3/8"] *10mm no gasket

* Door sizes limitations, per panel material selection

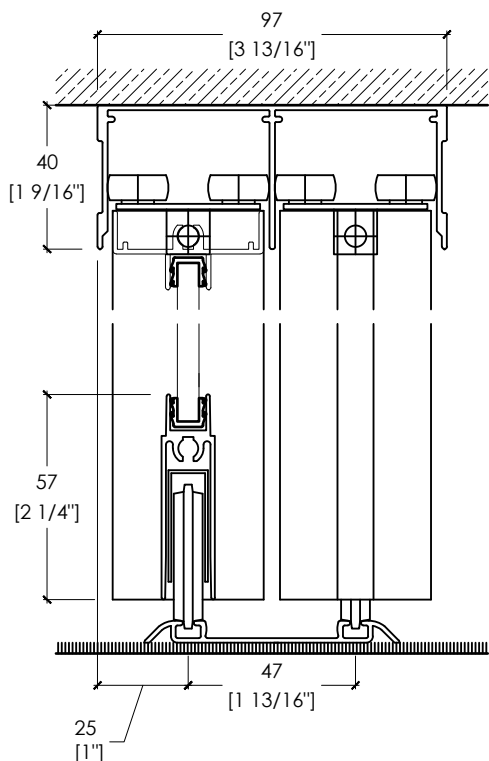
2.2_ S3000 Isometric view



Each sliding door is composed of the following:

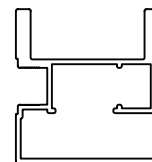
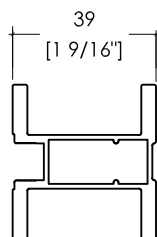
- Top track
- 1_ Top track (varies by order)
- 2_ Positioning for top track (2)
- Door
- 3_ Top roller (2)
- 4_ Top rail (1)
- 5_ Stile (2)
- 6_ Frame screw (4)
- 7_ Plug / cover (4)
- 8_ Brush gasket (1 stile only)
- 9_ Panel (1)
- 10_ Panel gasket (all sides of panel)
- 11_ Bottom rail (1)
- 12_ Height adjustment screw (2)
- 13_ Bottom roller (2)
- Bottom track
- 14_ Bottom track (varies by order)
- 15_ Inset cover (varies by order)
- 16_ Reinforcement plate * not shown

S3000 Section and stile detail



Symmetrical

Asymmetrical



S3000 Stile

Finish

Standard: Clear anodized aluminum (silver)

Application

Residential / commercial projects

Room dividers or passage doors

* Doors do not have ability to telescope when used in multiples

Dimensions

Max size 1829mm x 3048mm [6' x 10']

Max weight 180kg [390lbs]

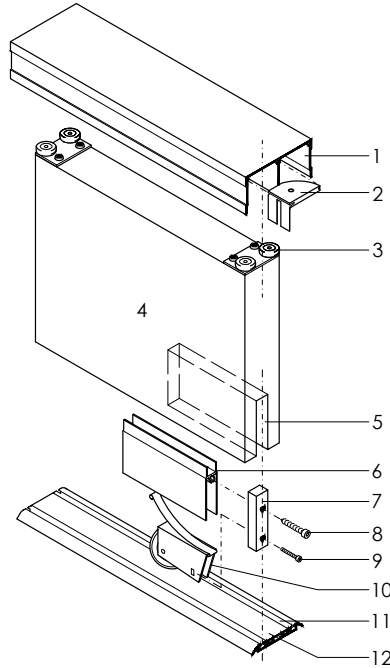
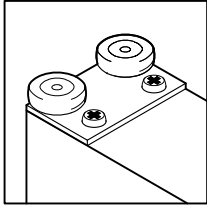
Panel thickness 4mm [3/16"] to 10mm [3/8"] * 10mm no gasket

* Door sizes limitations, per panel material selection

SYSTEM DESCRIPTION_ S42

SLIDING DOOR SYSTEM

2.3_ S42 Solid door hardware isometric view



Each sliding door is composed of the following:

Top track

- 1_ Top track (varies by order)
- 2_ Positioning for top track (2)

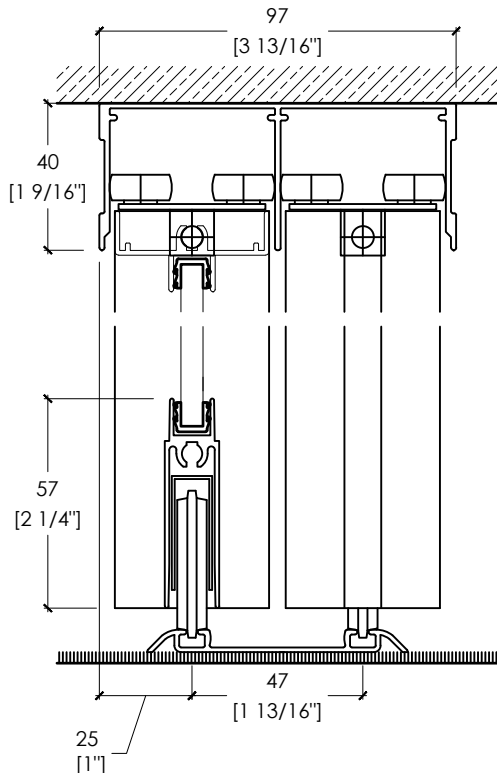
Door

- 3_ Top roller (2)
- 4_ (Material by others)
- 5_ (Cut out for Bottom rail and Connector, both sides)
- 6_ Bottom rail insert (2)
- 7_ Bottom roller connector (2)
- 8_ Frame screw (2)
- 9_ Height adjustment screw (2)
- 10_ Bottom roller (2)

Bottom track

- 11_ Bottom track (varies by order)
- 12_ Inset cover (varies by order)

S42 Solid door hardware section and stile detail



S42 Solid door hardware

Finish

Standard: Clear anodized aluminum (silver)

Application

Residential / commercial projects
Room dividers or passage doors

Dimensions

Max weight 180kg [390lbs]

Panel thickness min 38mm [1 1/2"], max 42mm [1 5/8"]

Included in hardware set (one door)

(2) top rollers, (2) bottom rollers, (2) bottom rail inserts (4" minimum),
(2) bottom roller connectors, (2) height adjustment screws, (2) frame
screws, (2) positioning for top track

*Top and bottom tracks sold separately

SYSTEM DESCRIPTION_ S42

FIXED PANEL

System description_ S42_ S1500, S3000, Solid Door Hardware, S1600 Fixed Panel
Sliding door system

3.1_ Overview

The key features of our made-to-measure system are versatility in customization and quality of our hardware allowing for individual solutions and unparalleled operation. The S42 fixed panel system is ideal for applications in commercial environments.

Fixed panels can be ordered fully assembled with our standard panel materials or as frame kits to accommodate a panel material of your choosing. Assembly of fixed panel with customer's own materials (COM) is available; please contact Raumplus for more information.

3.2_ Fully assembled panel

Made-to-measure per specifications with the following design parameters:

- _ Maximum height 2743mm [9'-0"]
- _ Maximum width 1524mm [5'- 0"]
- _ Maximum weight 180kg [390lbs]
- _ Standard finish: Clear anodized aluminum (silver)
- _ Top / bottom tracks shipped 50mm [2"] over-length for trimming on-site

System components (quantity per panel):

- Top track
- 1_ Top track (varies by order)
- Fixed panel
- 2_ Top rail (1)
- 3_ Stile (2)
- 4_ Frame screw (4)
- 5_ Plug / cover (4)
- 6_ Panel (1)
- 7_ Panel gasket (all sides of panel)
- 8_ Bottom rail (1)
- 9_ Ground connection profile + ground cover profile (1 each)

3.3_ Frame kit

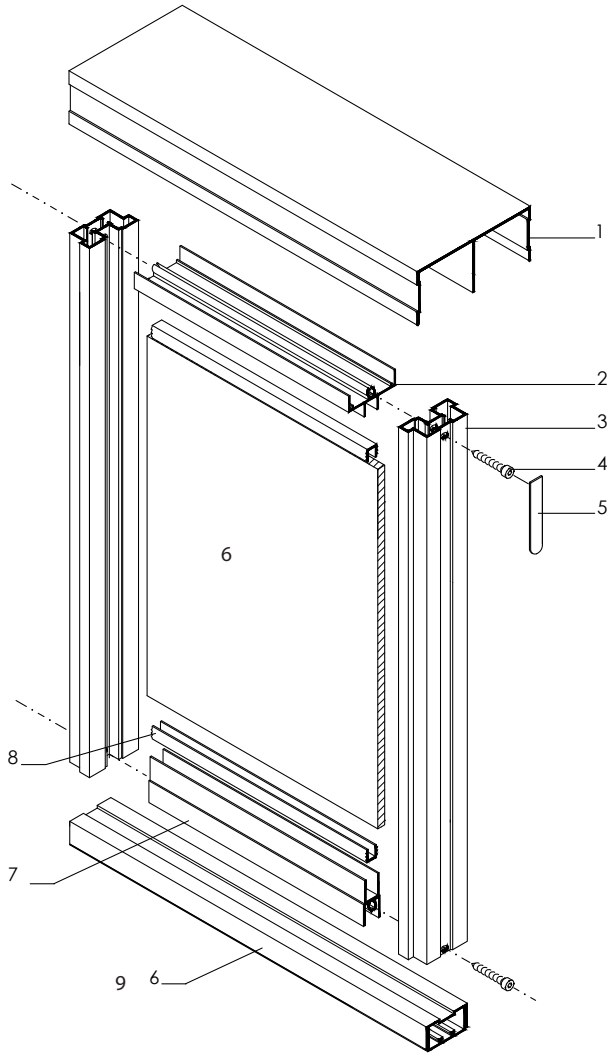
Frame kits are made-to-measure per specifications and ready for assembly using customer's own panel material. In addition to the design parameters listed for fully assembled fixed panel, please consider the following:

- Maximum height 3048mm [9'-0"]
- Maximum width 1829 [6'-0"]
- _ Minimum panel thickness 4mm [5/32"]
- _ Maximum glass thickness 8mm [5/16"]
- _ Maximum solid panel thickness 10mm [3/8"]

Appropriate panel gasket to be specified when ordering:

- _ 4mm [5/32"]
- _ 5mm [3/16"]
- _ 6mm [1/4"]
- _ 7mm [9/32"]
- _ 8mm [5/16"]

*Gasket not required for solid 10mm [3/8"] material

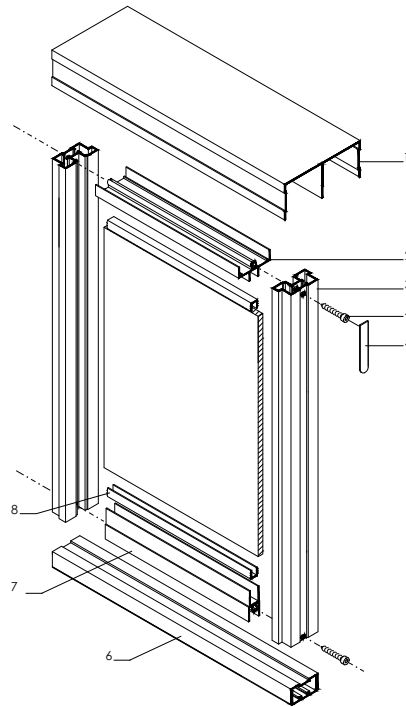
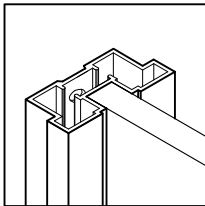


SYSTEM DESCRIPTION_ S42

SLIDING DOOR SYSTEM

4_ Profiles

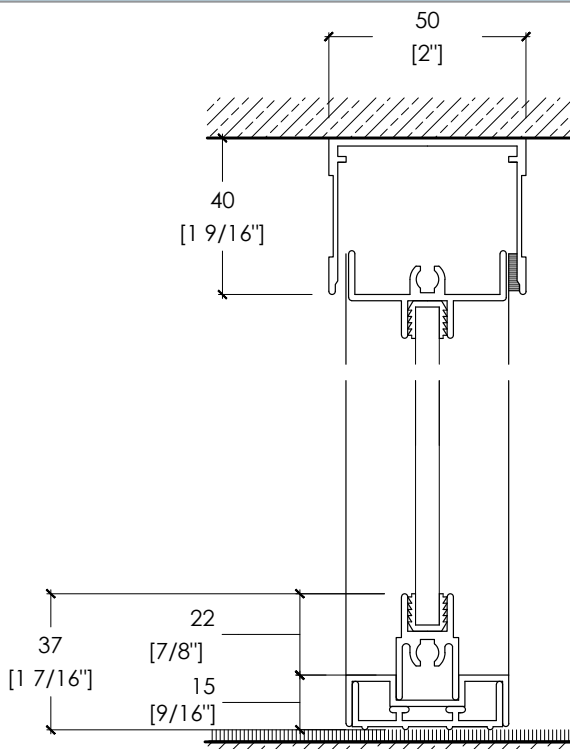
4.1_ S1600 Isometric view



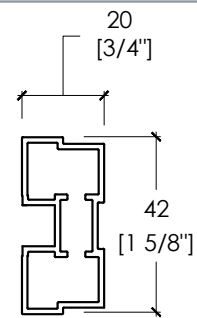
Each fixed panel is composed of the following:

- Top track
- 1_ Top track (varies by order)
- Fixed panel
- 2_ Top rail (1)
- 3_ Stile (2)
- 4_ Frame screw (4)
- 5_ Plug / cover (4)
- 6_ Panel (1)
- 7_ Panel gasket (all sides of panel)
- 8_ Bottom rail (1)
- 9_ Ground connection profile + ground cover profile (1 each)
- 10_ Shims, not shown (6)

S1600 Section and stile detail



S1600



S1600 Stile

Finish

Standard: Clear anodized aluminum (silver)

Application

Residential / commercial projects

Dimensions

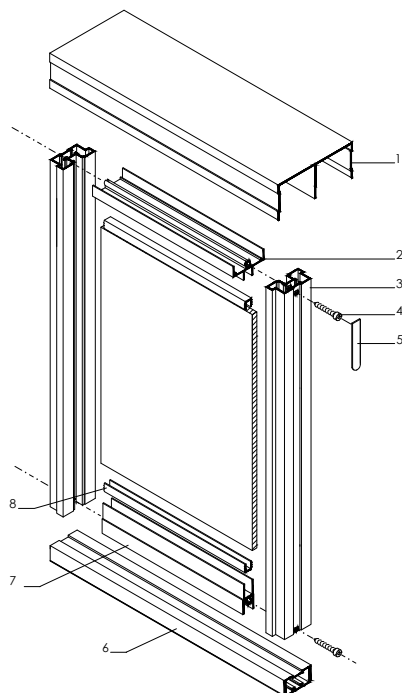
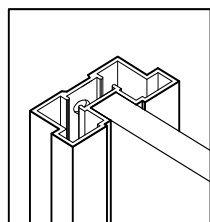
Max size 1829mm x 2743mm [6' x 9']

Max weight 180kg [390lbs]

Panel thickness 4mm [3/16"] to 10mm [3/8"] *10mm no gasket

* Door sizes limitations, per panel material selection

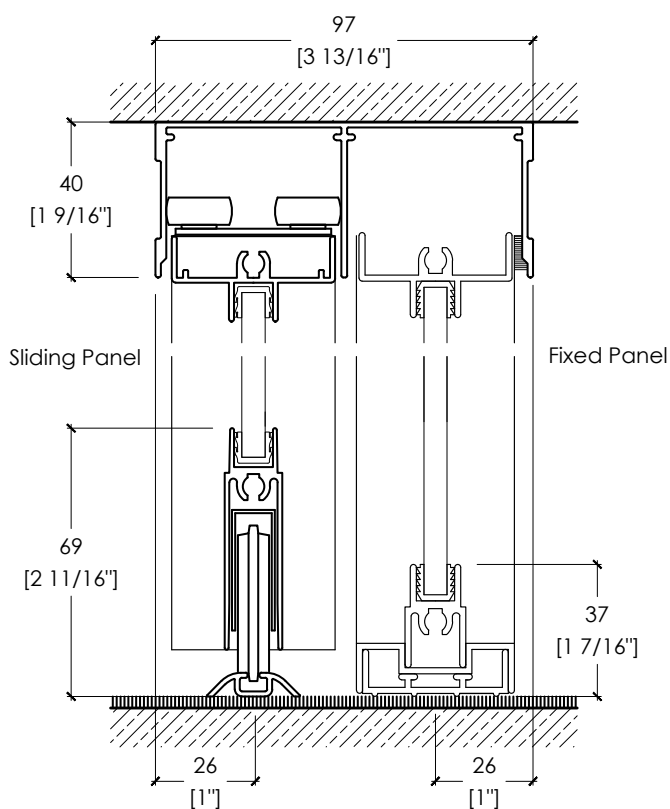
4.2_ S1600 Isometric view



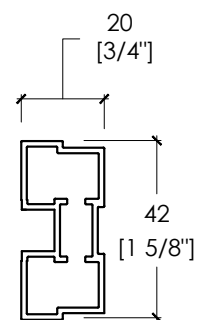
Each sliding door is composed of the following:

- Top track
- 1_ Top track (varies by order)
- 2_ Positioning for top track (2)
- Door
- 3_ Top roller (2)
- 4_ Top rail (1)
- 5_ Stile (2)
- 6_ Frame screw (4)
- 7_ Plug / cover (4)
- 8_ Brush gasket (1 stile only)
- 9_ Panel (1)
- 10_ Panel gasket (all sides of panel)
- 11_ Bottom rail (1)
- 12_ Height adjustment screw (2)
- 13_ Bottom roller (2)
- Bottom track
- 14_ Bottom track (varies by order)
- 15_ Inset cover (varies by order)

S1600 Section and stile detail



S1600



S1600 Stile

Finish

Standard: Clear anodized aluminum (silver)

Application

Residential / commercial projects
Room dividers or passage doors

Dimensions

Max size 1829mm x 2743mm [6' x 9']

Max weight 180kg [390lbs]

Panel thickness 4mm [3/16"] to 10mm [3/8"] *10mm no gasket

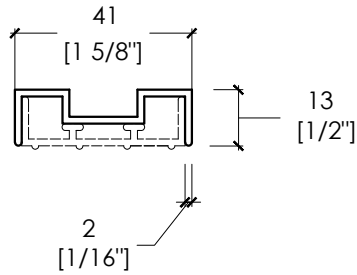
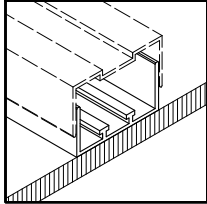
* Door sizes limitations, per panel material selection

SYSTEM DESCRIPTION_ S42

SLIDING DOOR SYSTEM

5_ Accessories / S1600

5.1_ S42 / S1600 Ground cover



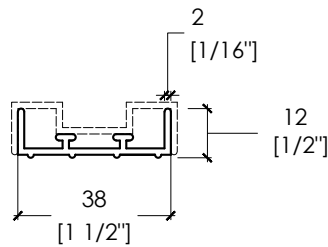
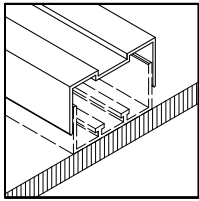
13.26.020

S1600 Ground cover

Finish
Standard

Description
Adjustable base for S1600
fixed panel.
Use in combination with ground
connection profile.
Max length 4877mm [16'-0"]

5.2_ S42 / S1600 Ground connection



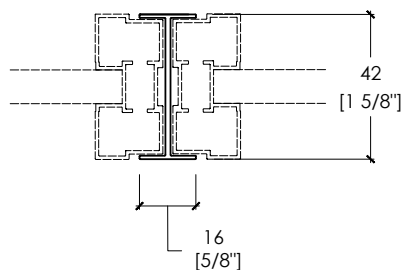
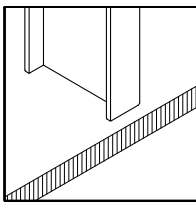
13.25.020

S1600 Ground connection
profile

Finish
Standard

Description
Adjustable base for S1600
fixed panel. Use in combination
with ground cover.
Max length 4877mm [16'-0"]

5.3_ S42 / S1600 Combi profile



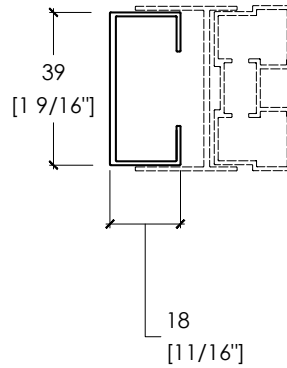
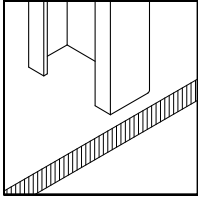
13.47.020

S1600 Combi profile

Finish
Standard

Description
Use to connect two S1600
fixed panels.
Max length 4877mm [16'-0"]

5.4_ S42 / S1600 Wall connection profile



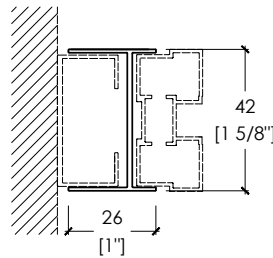
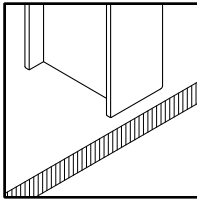
13.43.020

S1600 Wall connection profile

Finish
Standard

Description
Use to connect fixed panel to wall.
Use in conjunction with wall
combi profile.
Max length 4877mm [16'-0"]

5.5_ S42 / S1600 Wall combi profile



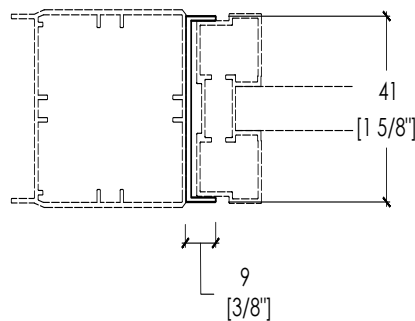
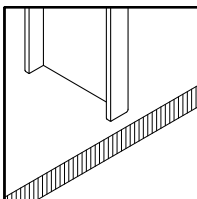
13.49.020

S1600 Wall combi profile

Finish
Standard

Description
Use with wall connection profile to
connect panel to wall connection.
Max length 4877mm [16'-0"]
*Provides 13mm [1/2"] vertical
adjustment

5.6_ S42 / S1600 Cover for corner profile



13.48.020

S1600 Cover for corner profile

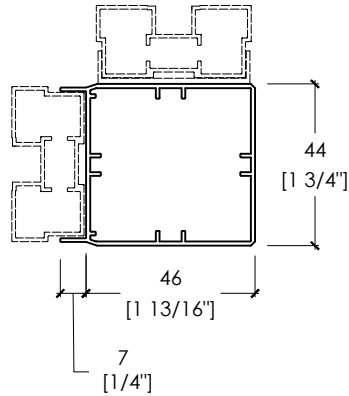
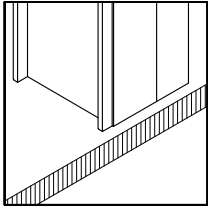
Finish
Standard

Description
Use in combination with corner
post for multiple direction
fixed panels. Used as end cover for
fixed panel not connected to a
wall.
Max length 4887mm [16'-0"]

SYSTEM DESCRIPTION_ S42

SLIDING DOOR SYSTEM

5.7_ S42 / S1600 Corner profile



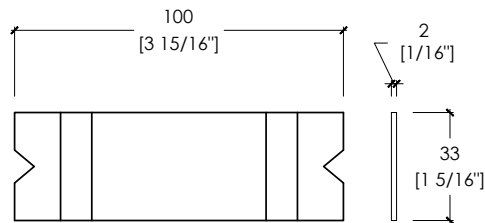
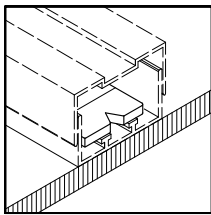
13.46.020

S1600 Corner profile

Finish
Standard

Description
Use as a corner post.
Includes 3 ground plates
Max length 4877mm [16'-0"]

5.8_ S42 / S1600 Shim



10.11.001 / 002 / 003

S1600 Shim


Finish
Plastic

Description
Use to level fixed panel. Use in
conjunction with 13.26.020 and
13.25.020
Shims available in:
1mm [1/16"]
2mm [3/32"]
3mm [1/8"]

6_ Profile finishes

6.1_ Standard finish _ Clear anodized aluminum (silver)

A factory applied finish, anodizing increases wear resistance and gives the surface a smooth matte aluminum appearance. Color for representation purposes only.

				
Standard finish Clear anodized (silver)				

SYSTEM DESCRIPTION_ S42

SLIDING DOOR SYSTEM

7_ Panels

7.1_ MDF

Medium density fiberboard (MDF) is an engineered wood product made of wood fibers, wax and resin. MDF is an ideal surface for painting, application of direct glue wall-covering, or a base for upholstered panels. Maximum size 1219mm x 2438mm [4'-0" x 8'-0"]. Colors for representation purposes only.



MDF
10mm [1/4"]

7.2_ Magnetic marker board

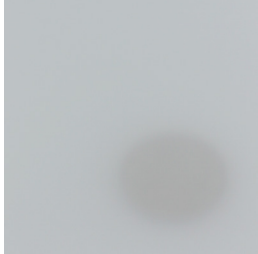

Porcelain enamel coated magnetic marker board is a white dry erase board. Maximum size 1219mm x 2438mm [4'-0" x 8'-0"]. Available as single or double sided. Colors for representation purposes only.



6mm [1/4"]

7.3_ Laminated glass

Laminated glass, often referred to as "safety glass", is strong and durable and designed to maintain its integrity in the event of breakage. Maximum size, clear and diffused 1829mm x 3048mm [6' x 10']. Maximum size, polar 1524mm x 2743mm [5' x 10']. May contain glass manufacturer safety mark.

				
Clear 6mm [1/4"]	Diffused white 6mm [1/4"]	Polar white 6mm [1/4"]		

7.4_ Tempered glass

Tempered glass is manufactured to exact size and is stronger than regular glass. If broken the glass shatters into small fragments instead of sharp shards. Maximum size 1524mm x 2743mm [5'-0" x 9'-0"]. Colors for representation purposes only. May contain glass manufacturer safety mark.

				
Clear 6mm [1/4"]	Satin etched 6mm [1/4"]			

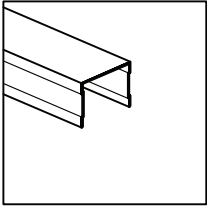
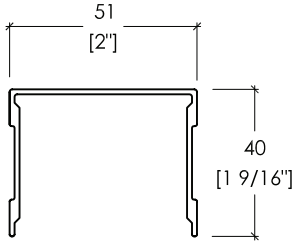
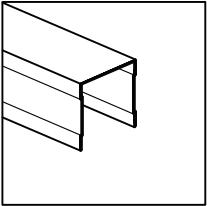
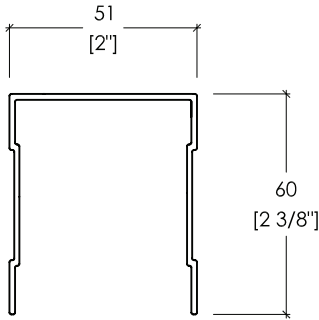
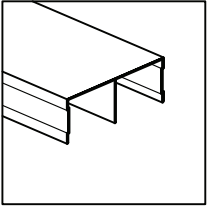
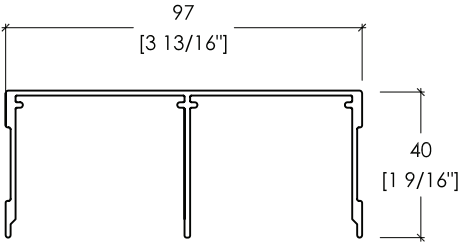
7.5_ Mirrored glass

Silver mirror backed with a safety film. Single-sided mirror only, best used for closets. Maximum size 1219mm x 2438mm [4'-0" x 8'-0"]. Colors for representation purposes only.

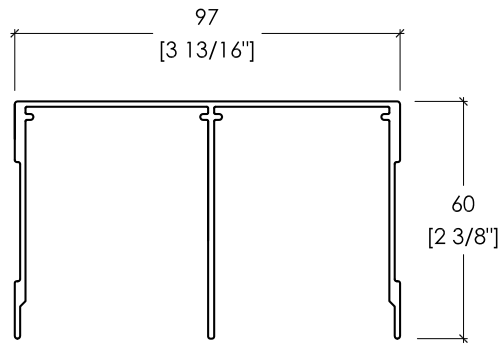
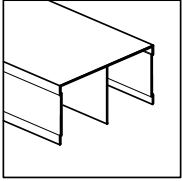
				
Mirror 5mm [3/16"]				

SYSTEM DESCRIPTION_ S42

SLIDING DOOR SYSTEM

8_ Top tracks	
8.1_ S42 Single top track	
 	<p>14.15.020</p> <p>S42 Single top track</p> <p>Finish Standard</p> <p>Description Ceiling- or wall-mounted (add wall-mounted bracket and wall-mounted end caps) Max length 4877mm [16'-0"]</p>
8.2_ S42 Single top track, 60mm	
 	<p>14.65.020</p> <p>S42 Single top track, 60mm</p> <p>Finish Standard</p> <p>Description Ceiling- or wall-mounted (add wall-mounted bracket) Max length 4877mm [16'-0"] Use when extra adjustability is needed or with soft close brake. *No end cap available</p>
8.3_ S42 Double top track	
 	<p>14.05.020</p> <p>S42 Double top track</p> <p>Finish Standard</p> <p>Description Ceiling-mounted only Max length 4877mm [16'-0"]</p>

8.4_ S42 Double top track, 60mm



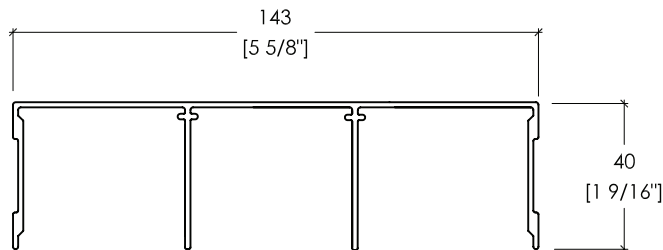
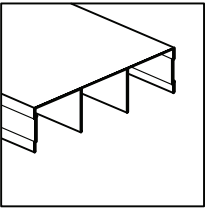
14.85.020

S42 Double top track, 60mm

Finish
Standard

Description
Ceiling-mounted only
Max length 4877mm [16'-0"]
Use when extra adjustability is
needed or with soft close brake.
*No end cap available

8.5_ S42 Triple top track



14.35.020

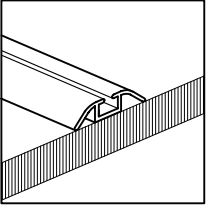
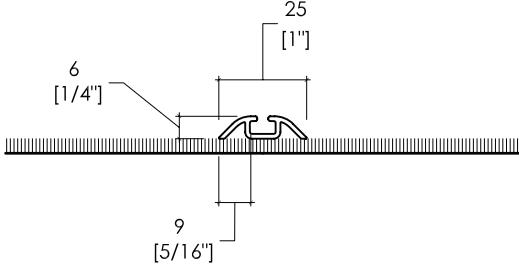
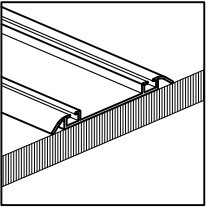
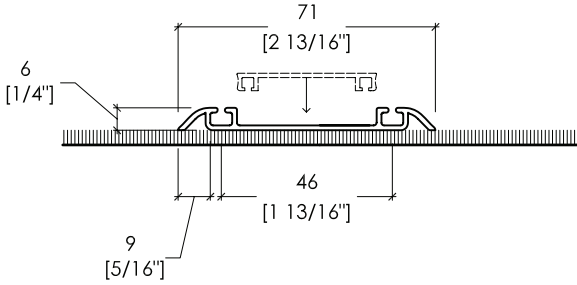
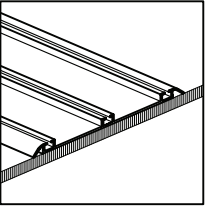
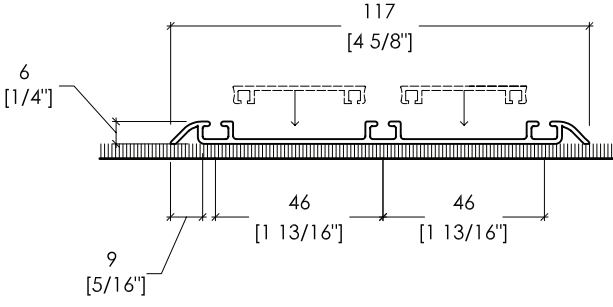
S42 Triple top track

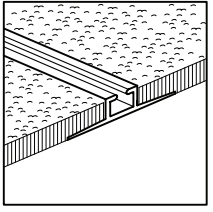
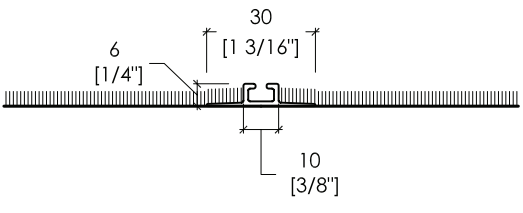
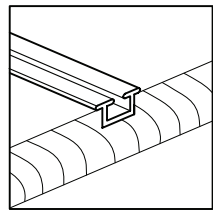
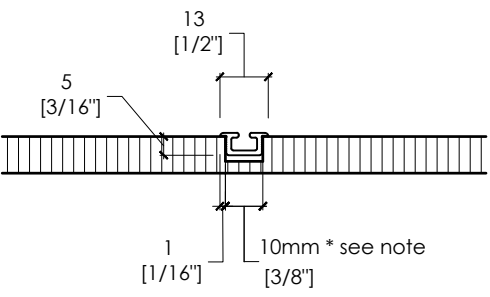
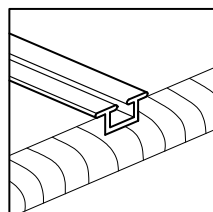
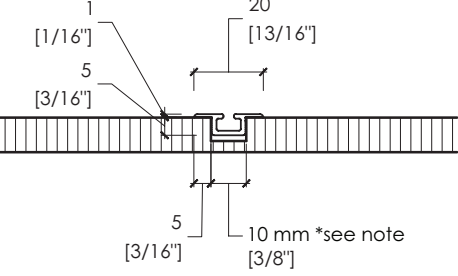
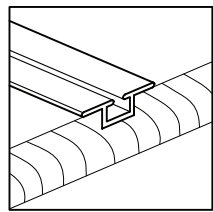
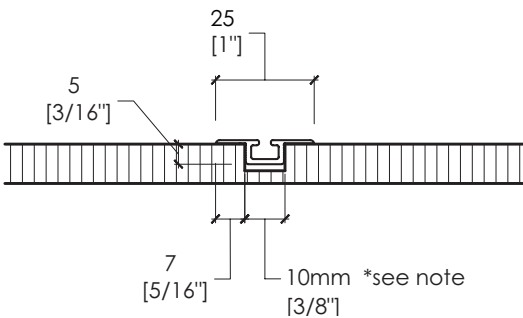
Finish
Standard

Description
Ceiling-mounted only
Max length 4877mm [16'-0"]

SYSTEM DESCRIPTION_ S42

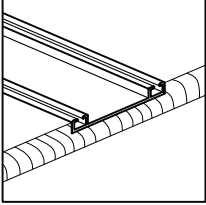
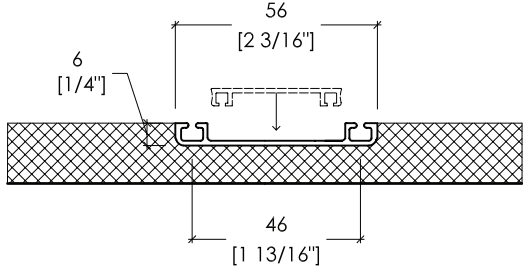
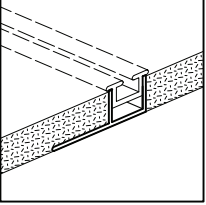
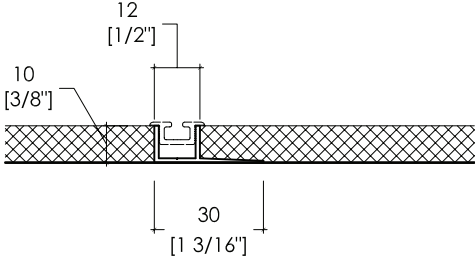
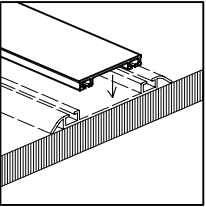
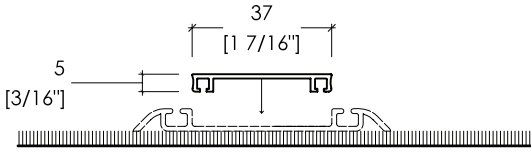
SLIDING DOOR SYSTEM

9_ Bottom tracks	
9.1_ S42 Single surface-mounted bottom track	
 	14.56.020
	S42 Single surface-mounted bottom track
	Finish Standard
	Description Provided with adhesive backing Max length 4877mm [16'-0"] *ADA compliant, verify with local jurisdictions
9.2_ S42 Double surface-mounted bottom track	
 	14.06.020
	S42 Double surface-mounted bottom track
	Finish Standard
	Description Provided with adhesive backing Inset cover sold separately Max length 4877mm [16'-0"] *ADA compliant, verify with local jurisdictions
9.3_ S42 Triple surface-mounted bottom track	
 	14.33.020
	S42 Triple surface-mounted bottom track
	Finish Standard
	Description Provided with adhesive backing Inset covers sold separately Max length 4877mm [16'-0"] *ADA compliant, verify with local jurisdictions

9.4_ S42 Single carpet bottom track		
 	14.46.020	
	S42 Single carpet bottom track	
	Finish Standard, Mat	
	Description Provided with adhesive backing Max length 4877mm [16'-0"] *ADA compliant, verify with local jurisdictions	
9.5_ S42 Single insert bottom track		
 	14.76.020	
	S42 Single insert bottom track	
	Finish Standard	
	Description Max length 4877mm [16'-0"] *Use 10mm router bit *ADA compliant, verify with local jurisdictions	
9.6_ S42 Single insert bottom track, 20mm		
 	14.48.020	
	S42 Single insert bottom track, 20mm	
	Finish Standard	
	Description Inset cover sold separately Max length 4877mm [16'-0"] *ADA compliant, verify with local jurisdictions	
9.7_ S42 Single insert bottom track, 25mm		
 	14.49.020	
	S42 Single insert bottom track, 25mm	
	Finish Standard	
	Description Max length 4877mm [16'-0"] *Use 10mm router bit *ADA compliant, verify with local jurisdictions	

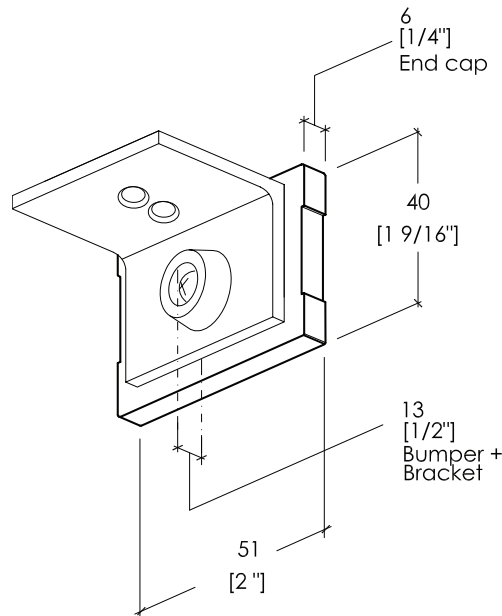
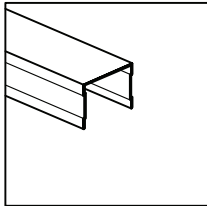
SYSTEM DESCRIPTION_ S42

SLIDING DOOR SYSTEM

9.8_ S42 Double insert bottom track	
 	14.66.020
	S42 Double insert bottom track
	Finish Standard
	Description Inset cover sold separately Max length 4877mm [16'-0"] *ADA compliant, verify with local jurisdictions
9.9_ S42 Tile channel	
 	14.77.010
	S42 Tile channel
	Finish Raw aluminum
	Description Use in conjunction with single insert track for tile or carpeted surfaces Max length 4877mm [16'-0"]
9.10_ S42 Inset cover for bottom track	
 	14.16.020
	S42 Inset cover for bottom track
	Finish Standard
	Description Cover fits between double or triple tracks Max length 4877mm [16'-0"] *Flooring material may be substituted for cover

10_ Accessories

10.1_ S42 End cap for single top track / ceiling-mounted



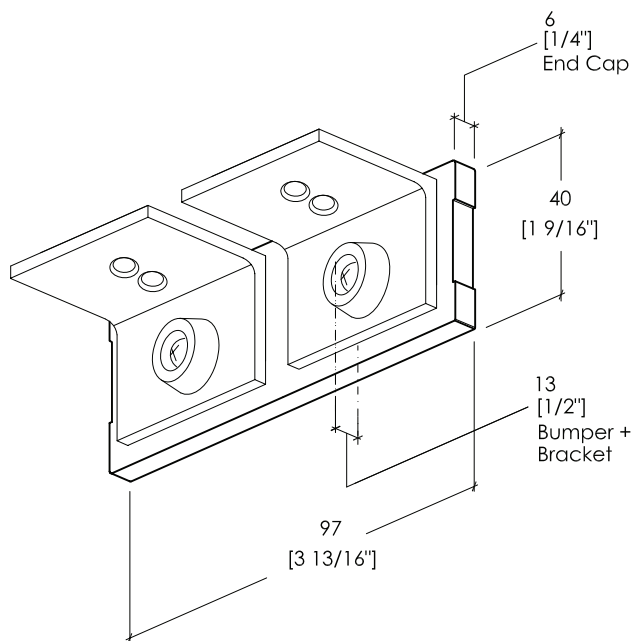
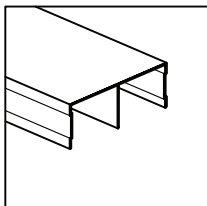
10.08.291
includes 1 x 10.08.491

S42 End cap for single top track /
ceiling-mounted

Finish
Standard

Description
For ceiling-mounted top tracks
Includes (1) single end cap (1) zinc
bracket, (1) bumper, and (1) screw
Add 13mm [1/2\"] extra track when
using end cap
Ceiling fasteners not included

10.2_ S42 End cap for double top track / ceiling-mounted



10.08.292
includes 2 x 10.08.491

S42 End cap for double top
track / ceiling-mounted

Finish
Standard

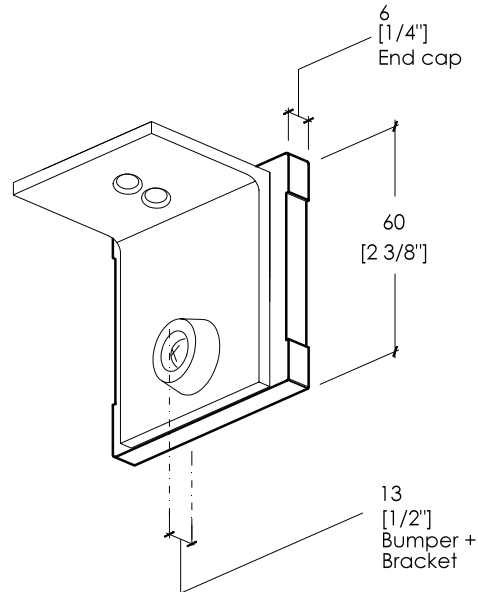
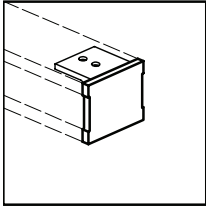
Description
For ceiling-mounted top tracks
Includes (1) double end cap,
(2) zinc brackets, (2) bumpers, and
(2) screws
Add 13mm [1/2\"] extra track when
using end cap
Ceiling fasteners not included

SYSTEM DESCRIPTION_ S42

SLIDING DOOR SYSTEM

10.3_ S42 End cap for triple top track / ceiling-mounted	
	<p>10.08.293 includes 3 x 10.08.491</p>
	<p>S42 End cap for triple top track / ceiling-mounted</p>
	<p>Finish Standard</p>
	<p>Description For ceiling-mounted top tracks Includes (1) triple end cap (3) zinc brackets, (3) bumpers, and (3) screws Add 13mm [1/2\"] extra track when using end cap Ceiling fasteners not included</p>
10.4_ S42 End cap for single top track / wall-mounted	
	<p>10.08.191</p>
	<p>S42 End cap for single top track / wall-mounted</p>
	<p>Finish Standard</p>
	<p>Description For wall-mounted top tracks, (available for single top tracks only) Includes (1) wall-mounted end cap, (1) stop block, (1) block-to-end cap screw, (1) block-to-top track screw Add 9mm [3/8\"] extra track when using end cap Wall fasteners not included *Interchangeable L and R</p>

10.5_ S42 End cap for single top track, 60mm / ceiling-mounted



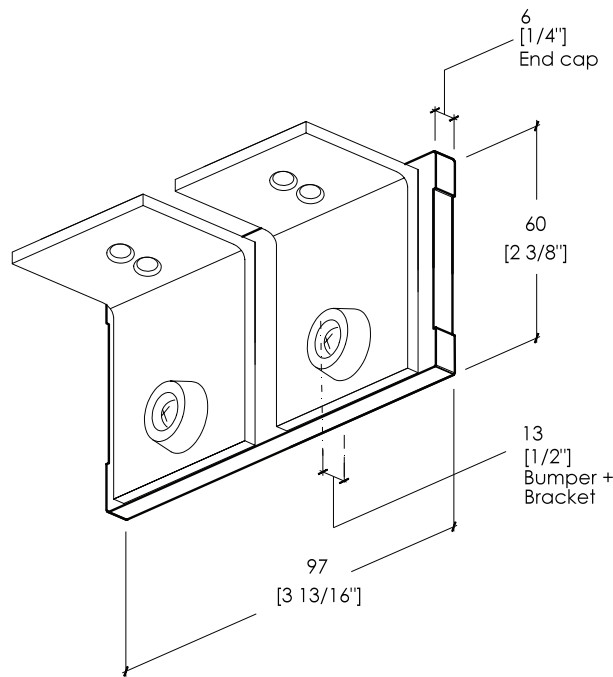
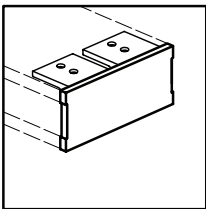
10.08.341
includes 1 x 10.08.297

S42 End cap for single top track,
60mm / ceiling-mounted

Finish
Standard

Description
For ceiling-mounted top tracks
Includes (1) single end cap (1) zinc
brackets, (1) bumpers, and
(3) screws
Add 13mm [1/2"] extra track when
using end cap
Ceiling fasteners not included

10.6_ S42 End cap for double top track, 60mm / wall-mounted



10.08.342
includes 2 x 10.08.297

S42 End cap for single top track
/ wall-mounted

Finish
Standard

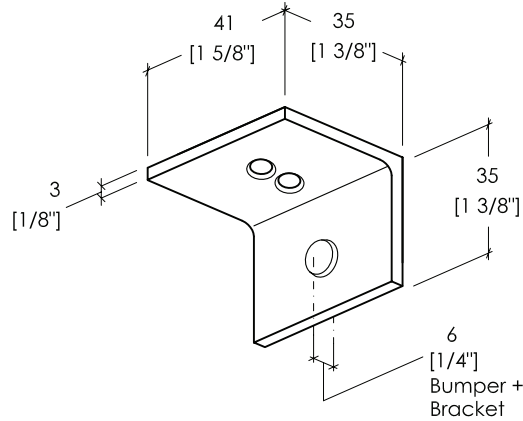
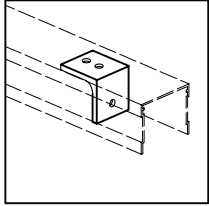
Description
For wall-mounted top tracks,
(available for single top tracks only)
Includes (1) wall-mounted end cap,
(1) stop block, (1) block-to-end cap
screw, (1) block-to-top track screw
Add 9mm [3/8"] extra track when
using end cap
Wall fasteners not included
*Interchangeable L and R

SYSTEM DESCRIPTION_ S42

SLIDING DOOR SYSTEM

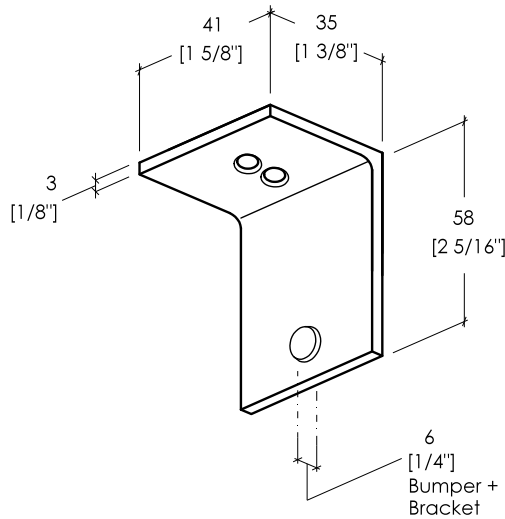
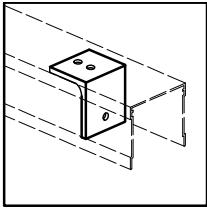
10.7_ S42 End cap for single surface-mounted bottom track	
	10.09.081
	S42 End cap for single surface-mounted bottom track
	Finish Standard
	Description Includes (1) single end cap, (1) set screw
10.8_ S42 End cap for double surface-mounted bottom track	
	10.09.092
	S42 End cap for double surface-mounted bottom track
	Finish Standard
	Description Includes (1) double end cap, (2) set screws
10.9_ S42 End cap for triple surface-mounted bottom track	
	10.09.093
	S42 End cap for triple surface-mounted bottom track
	Finish Standard
	Description Includes (1) triple end cap, (3) set screws

10.10_ S42 Stopper for top track



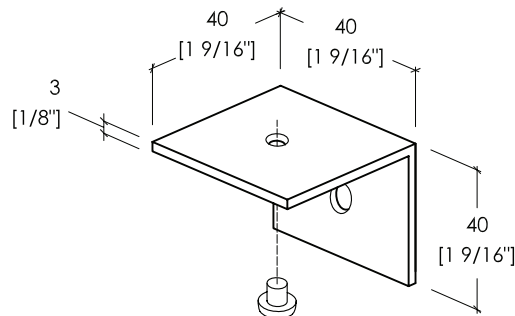
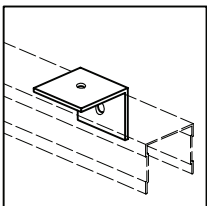
10.08.491
S42 Stopper for top track
Finish Laquered
Description Clear silicone bumper included Ceiling fasteners not included Stops door in desired location along track

10.11_ S42 Stopper for top track, 60mm



10.08.297
S42 Positioning for top track, 60mm
Finish Zinc bracket
Description Clear silicone bumper included Ceiling fasteners not included Stops door in desired location along track

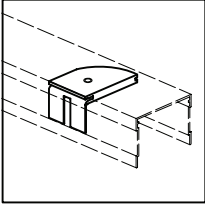
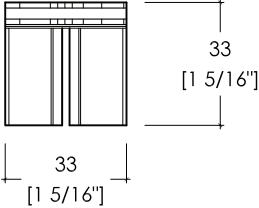
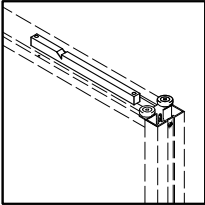
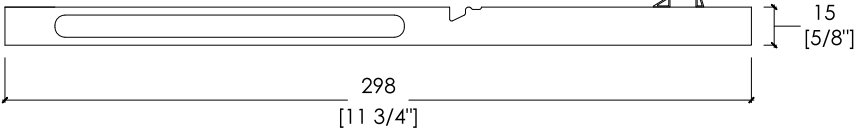
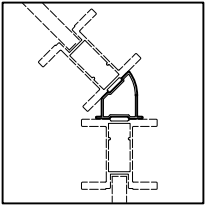
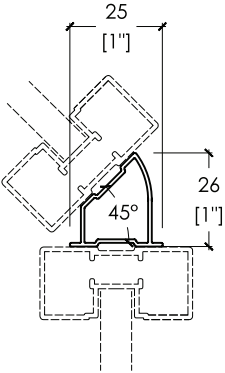
10.12_ L-bracket for wall-mounted top track



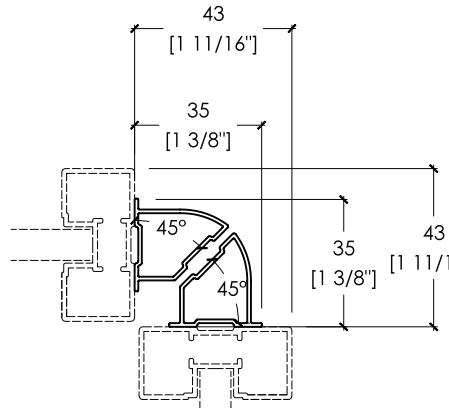
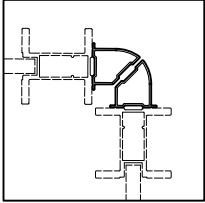
10.08.170
L-bracket for wall-mounted top track
Finish Standard
Description Wall-mounted bracket for S42 top track (single track only) Includes track-to-bracket screw Wall fastener not included Wall-mount for single doors only

SYSTEM DESCRIPTION_ S42

SLIDING DOOR SYSTEM

10.13_ S42 Positioning for top track		
 	10.01.027	
	S42 Positioning for top track	
	Finish Clear plastic	
	Description Holds door in desired location along track	
10.14_ S42 Soft close brake		
 	Brake 10.01.360 for 10-30kg [0-66lbs] 10.01.370 for 31-60kg [0-132lbs] Positioning for top track 10.01.393 for 40mm top track 10.01.394 for 60mm top track	
	Soft close brake	
	Finish Black plastic / clear plastic	
	Description Soft close dampening system for use on doors minimum 15-80 kg [22lbs to maximum 176lbs] *Best used with 60mm top track, can be used with 40mm but does not allow as much adjustment.	
10.15_ 45° Corner profile		
 	14.07.020	
	45° Corner profile	
	Finish Standard	
	Description Provided with adhesive backing (1) 14.07.020	

10.16_ 90° Corner profile



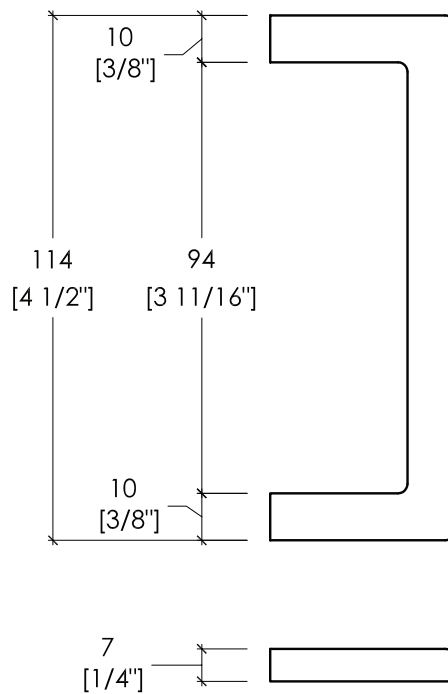
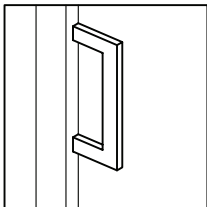
14.07.020

90° Corner profile

Finish
Standard

Description
Provided with adhesive backing
(2) 14.07.020

10.17_ Half rectangle applied handle



10.01.093

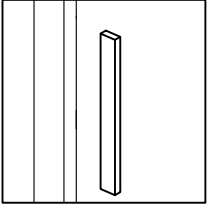
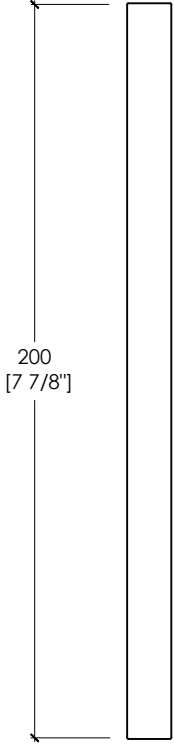
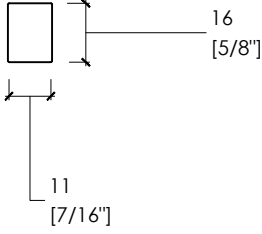
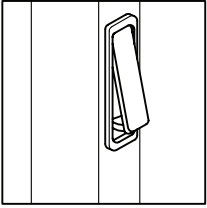
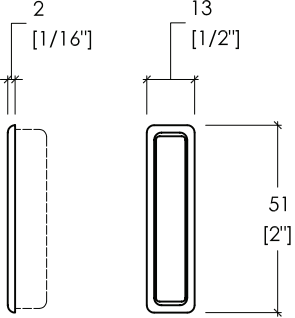
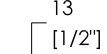
Half rectangle applied handle

Finish
Standard

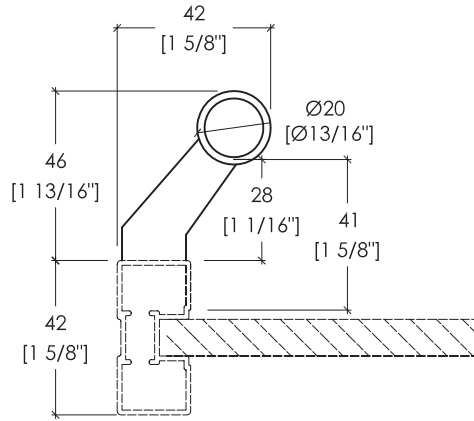
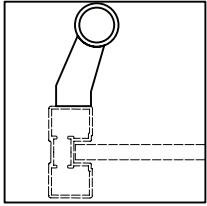
Description
Provided with adhesive backing

SYSTEM DESCRIPTION_ S42

SLIDING DOOR SYSTEM

10.18_ Rectangular applied handle	
  	10.01.911
	Rectangle applied handle
	Finish Standard
	Description Provided with adhesive backing
10.19_ Pocket pull	
  	10.01.047
	Pocket pull
	Finish Standard
	Description Used with pocket doors

10.20_ Rod handle for S1500 Square



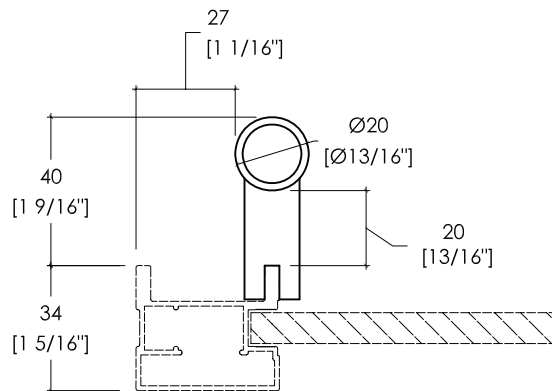
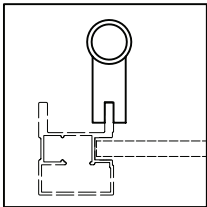
ACC-RDH-1500SQ

Rod handle for S1500 Square

Finish
Standard

Description
Adds vertical rod handle to S1500 square.
*Includes plastic silver end caps
*Can only be used with the S1500 SQ. profile
*Available in 305mm [1'-0"] increments

10.21_ Rod handle for S3000



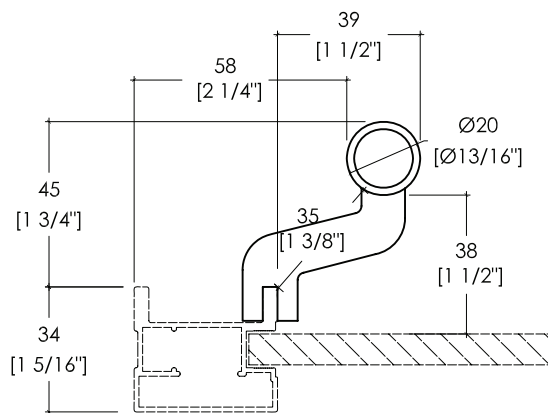
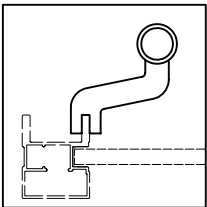
ACC-RDH-3000

Rod handle for S3000 / S3000

Finish
Standard

Description
Adds vertical rod handle to S3000
*Includes plastic silver end caps
*Can only be used with S3000 profile
*Available in 305mm [1'-0"] increments

10.22_ ADA handle for S3000



ACC-RDH-ADA

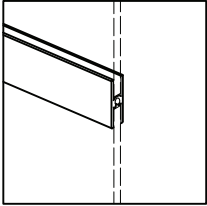
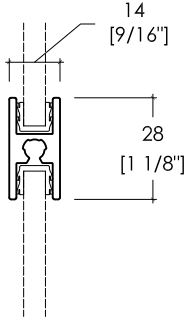
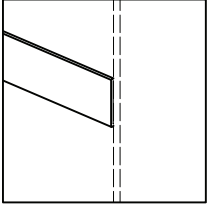
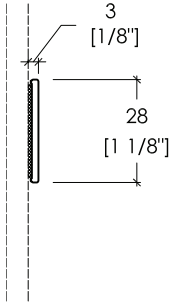
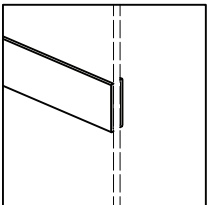
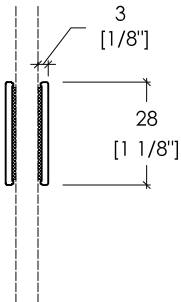
ADA handle for S3000 / S3000

Finish
Standard

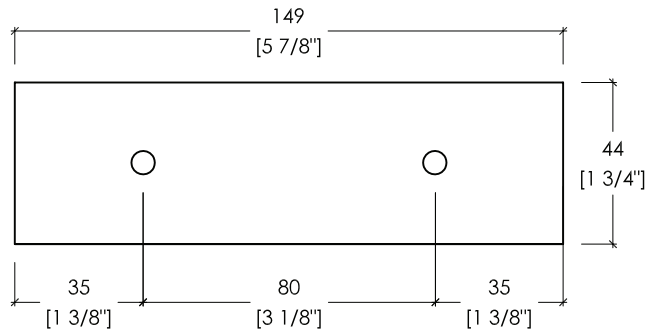
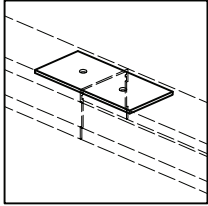
Description
ADA bracket with rod handle complies with ADA requirements for sliding door handles, verify with local jurisdictions
*Includes plastic silver end caps
*Can only be used with S3000 profile
*Available in 305mm [1'-0"] increments

SYSTEM DESCRIPTION_ S42

SLIDING DOOR SYSTEM

10.23_ True dividing rail	
 	13.22.020
	True dividing rail
	Finish Standard
	Description Use to partition different materials horizontally or *vertically within a door *Consult Raumplus for vertical partitioning, cannot combine horizontal and vertical true dividers within one door Note: Frame kits not drilled for dividers
10.24_ Single-sided applied dividing rail	
 	13.33.020
	Single-sided applied dividing rail
	Finish Standard
	Description Provided with adhesive backing Applied divider can be used horizontally or vertically
10.25_ Double-sided applied dividing rail	
 	13.33.020
	Double-sided applied dividing rail
	Finish Standard
	Description Provided with adhesive backing Applied divider can be used horizontally or vertically

10.26_ S42 Connector for top track



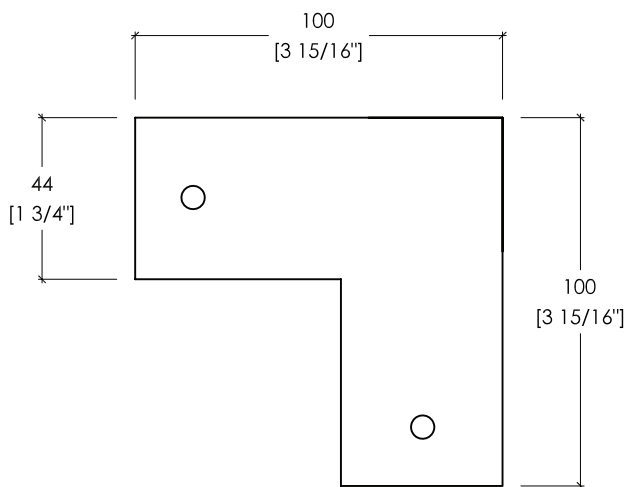
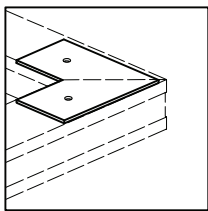
10.04.050

S42 Connector for top track

Finish
Standard

Description
Used for splicing top tracks
Mounts in slot on inside of track
Fasteners not included

10.27_ S42 Connector for top track / 90° corner



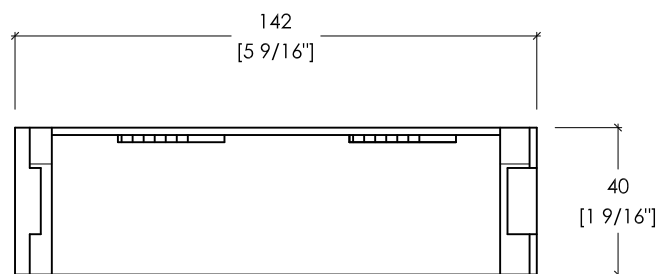
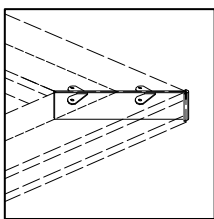
10.04.051

S42 Connector for top track /
90° corner

Finish
Standard

Description
Used for splicing top tracks at 90°
corner
Mounts in slot on inside of track
Fasteners not included

10.28_ S42 Double corner connector for top track / 90° corner



10.08.298

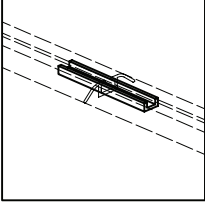
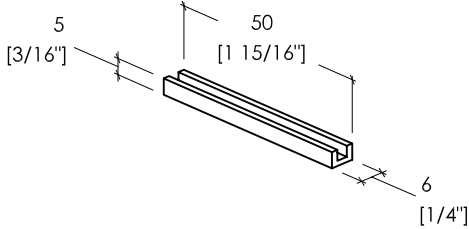
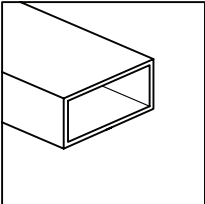
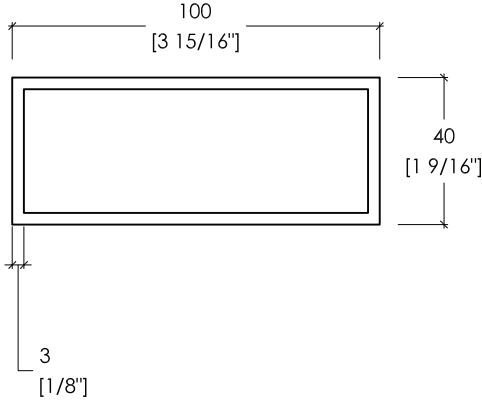
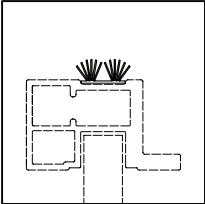
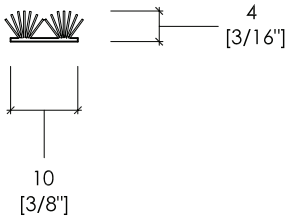
Double 90° corner connector

Finish
Standard

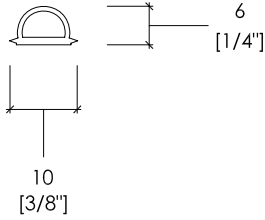
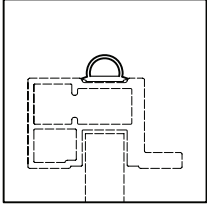
Description
Use to join two S42 double top
tracks together at in 90° mitered
corner

SYSTEM DESCRIPTION_ S42

SLIDING DOOR SYSTEM

10.29_ Connector for bottom track	
 	10.04.040
	Connector for bottom track
	Finish Black plastic
	Description Used for splicing bottom tracks Mounts inside track Can not be used in combination with security bottom roller
10.30_ Header	
 	14.90.020
	Header
	Finish Standard
	Description May be used as header or post Max length 4877mm [16'-0"]
10.31_ Brush gasket	
 	10.07.023 (2.6m) 10.07.024 (3m)
	Brush gasket
	Finish Grey
	Description Used to cushion against wall, door or post One side standard, per door Includes two clips *2.6m [8'-6 3/8"] 3m [9'-10 1/8"]

10.32_ Rubber gasket



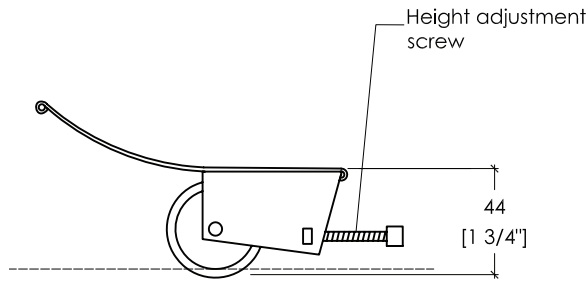
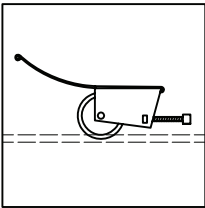
10.26.070

Rubber gasket

Finish
Grey

Description
Used to cushion against wall, door or post
Specify if substituting for standard brush gasket
*Cut to order

10.33_ Bottom roller



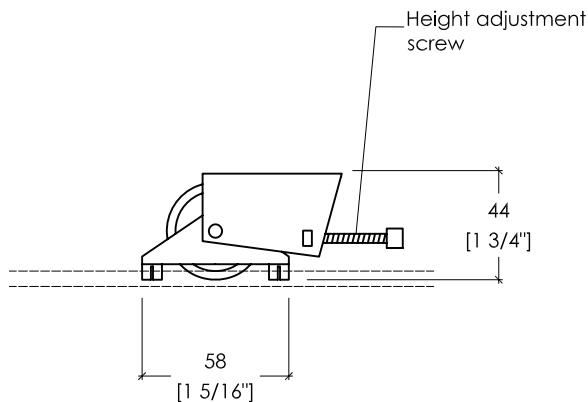
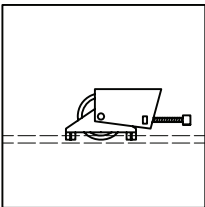
10.01.120

Bottom roller

Finish
Steel
Sealed ball-bearing

Description
Standard bottom roller

10.34_ Security bottom roller



10.01.121

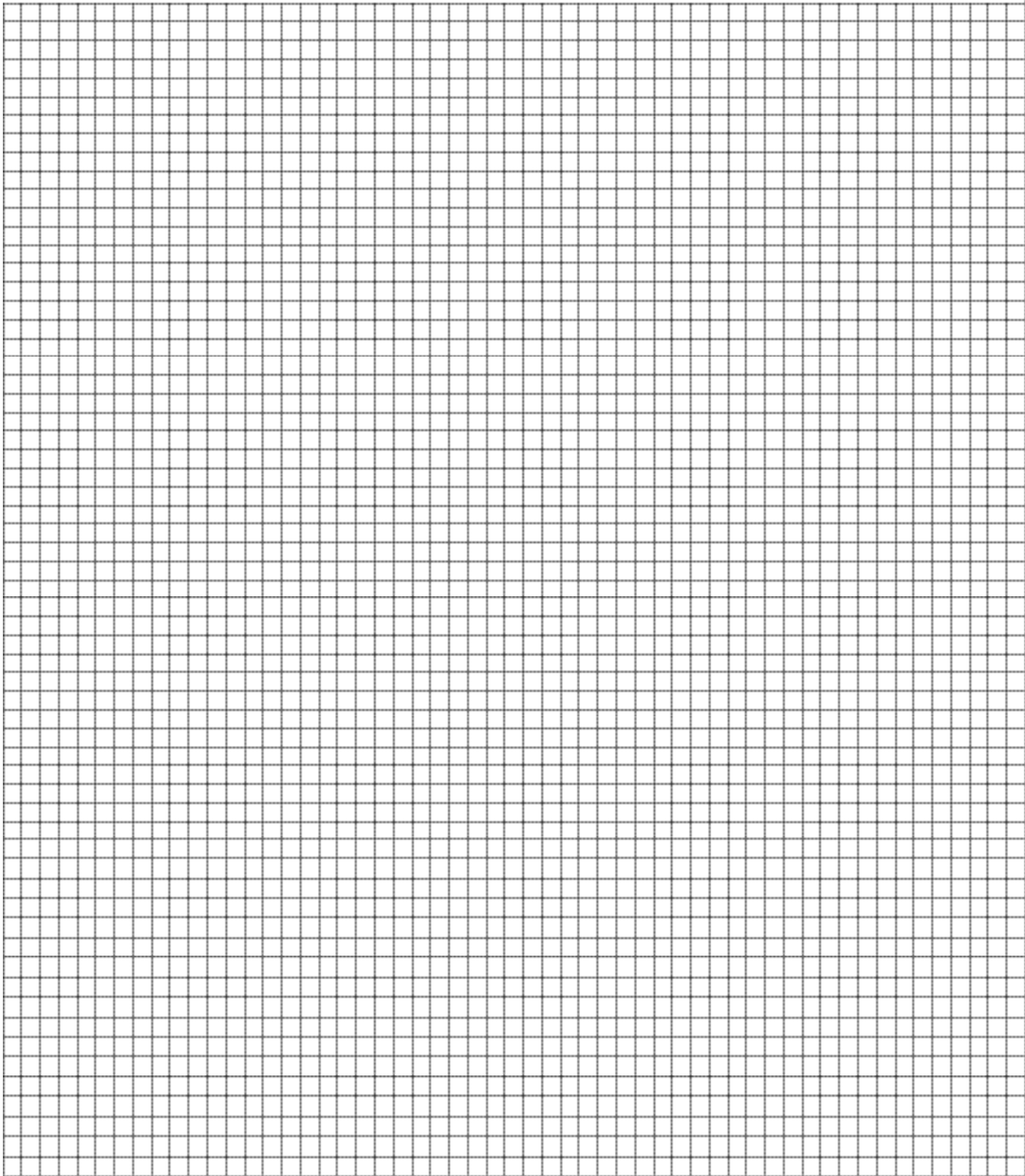
Security bottom roller

Finish
Steel
Sealed ball bearing

Description
Requires special installation
Use when doors are installed on top of half walls

SYSTEM DESCRIPTION_ S42

SLIDING DOOR SYSTEM



Technical specifications are subject to change. All rights reserved raumplus North America.
Should you have any further questions, please contact your raumplus representative.

Published by:
raumplus North America

USA 866 580 0112

raumplusna.com

raumplus