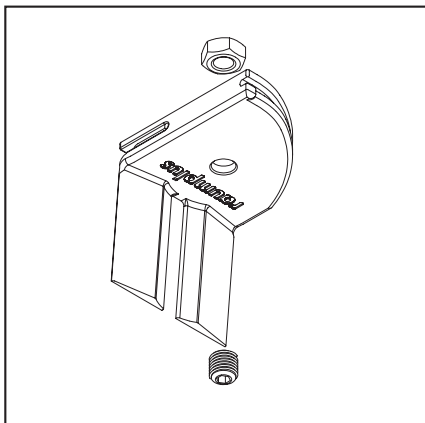


SLIDING DOOR SYSTEM: INSTALLATION INSTRUCTIONS TOP TRACK POSITIONING (S42)

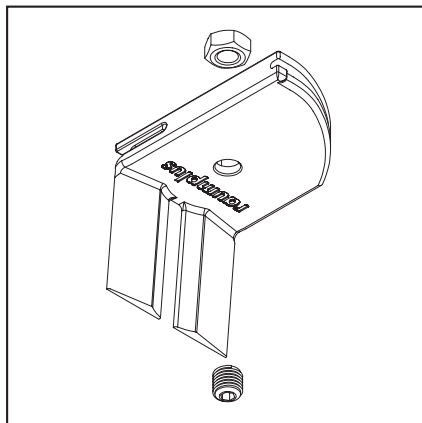
V2017.1

ACCESSORIES AND TOOLS

ACCESSORIES:

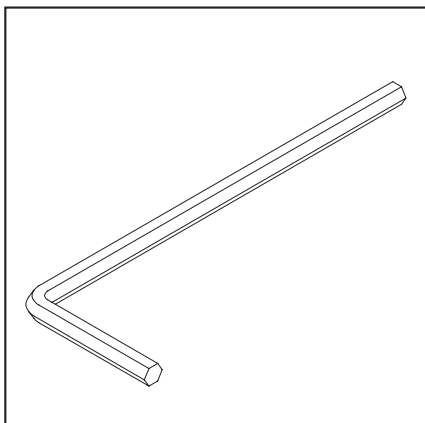


1_ top track positioning S34

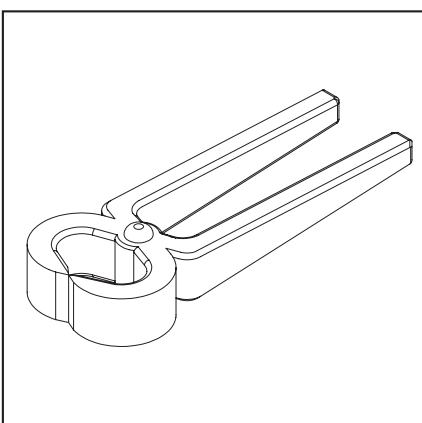


2_ top track positioning S42

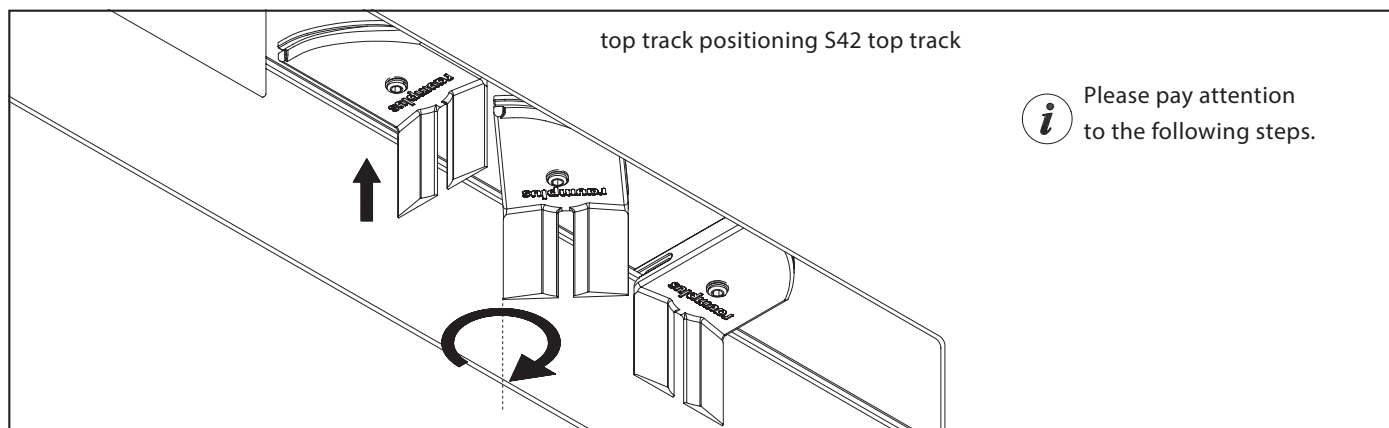
TOOLS:



1_ allen key 2,5mm



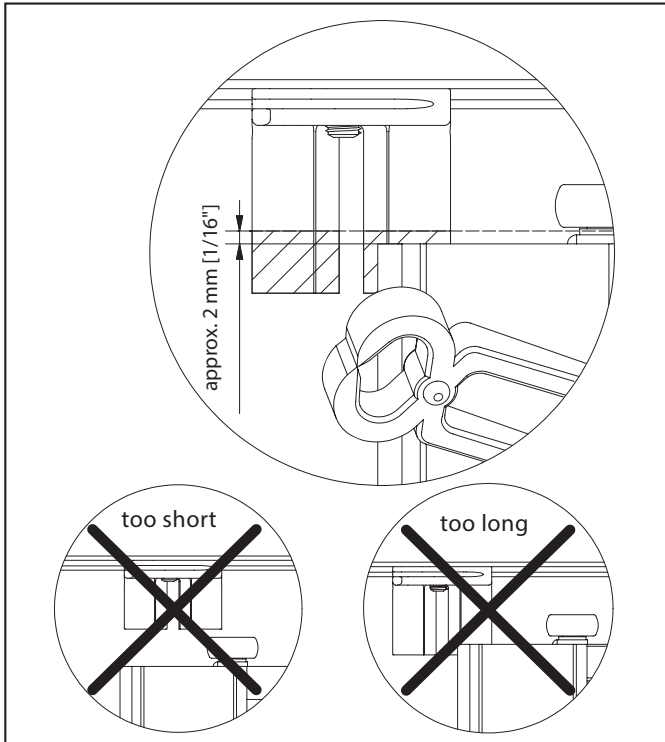
2_ carpenters pincers



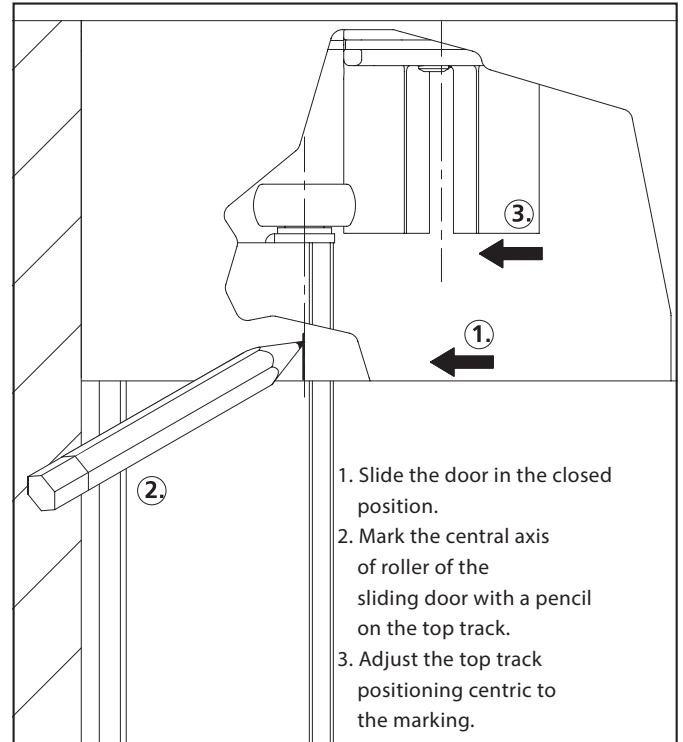
1_ put the top track positioning into the top track and turn it in

INSTALLATION INSTRUCTIONS

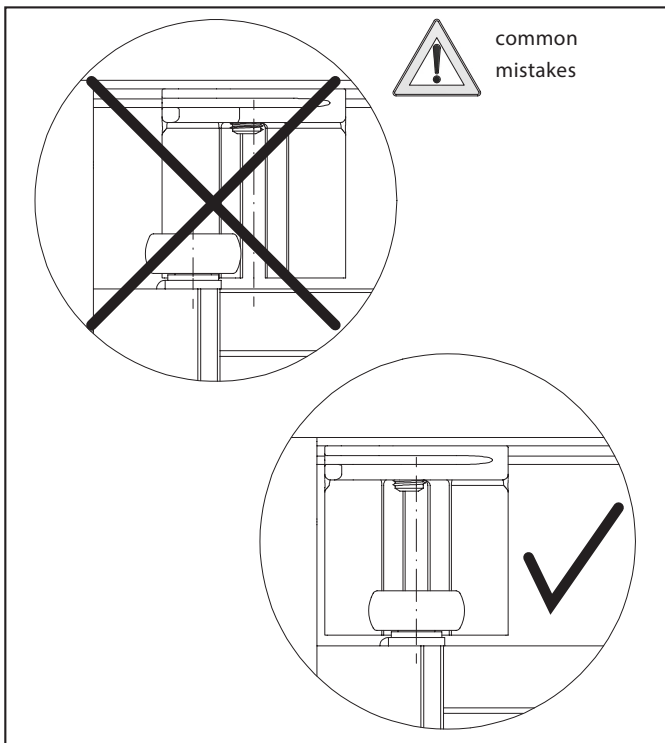
INSTALLATION:



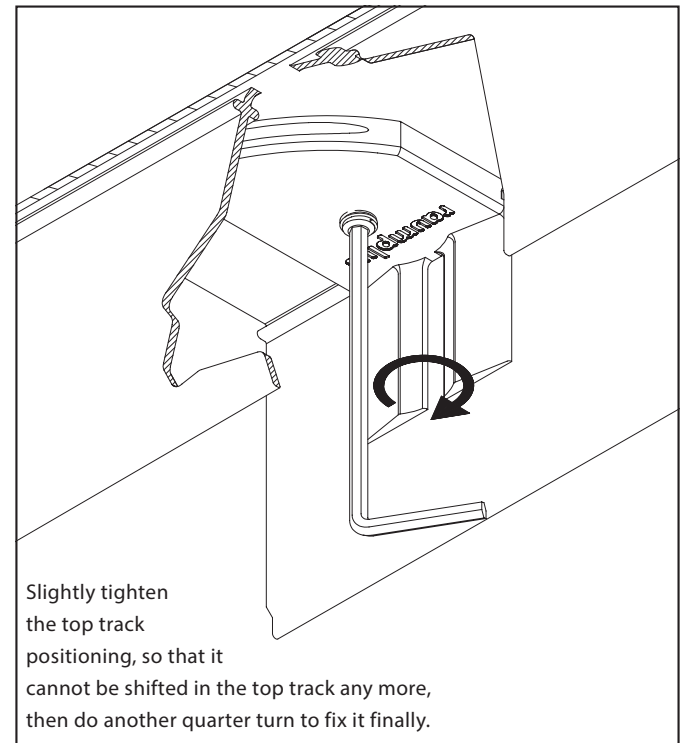
2_ top track positioning, has to be shortened



3_ central axis to mark



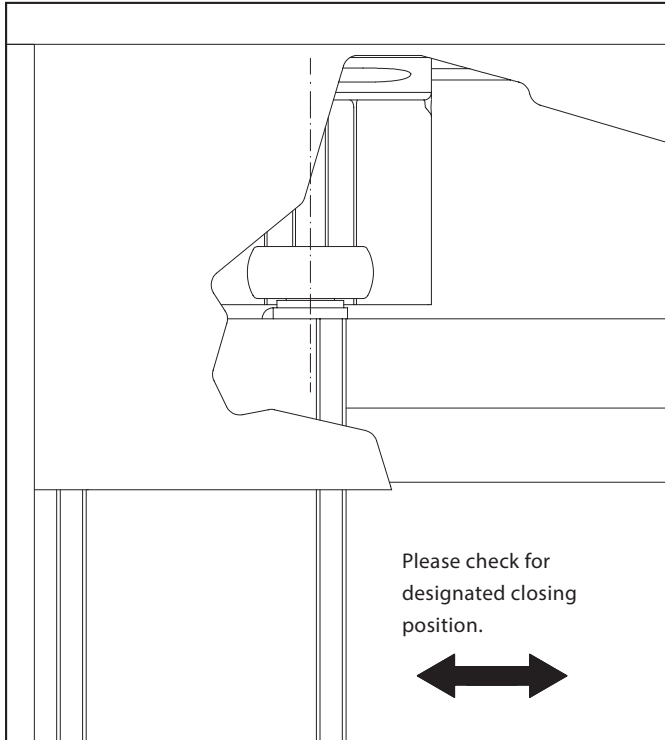
4_ controlling the position



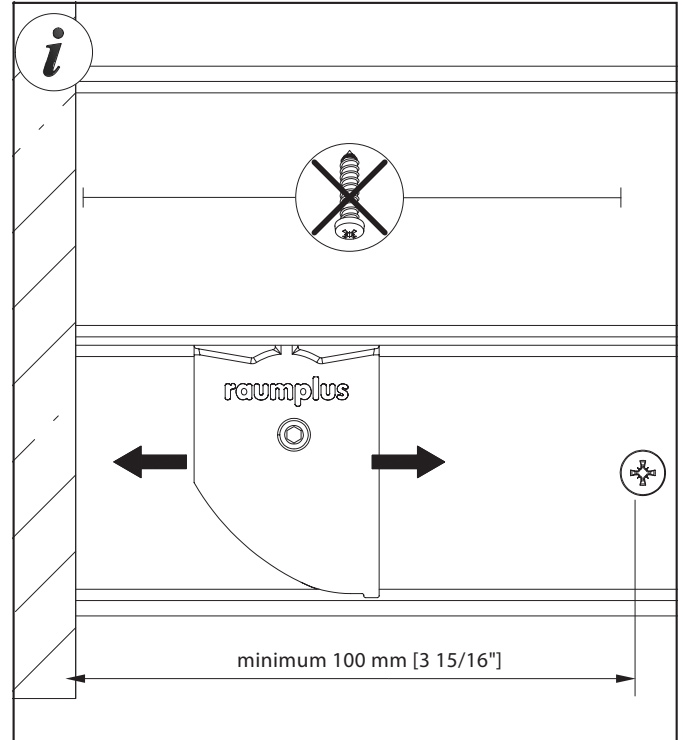
5_ top track positioning fixed

INSTALLATION INSTRUCTIONS

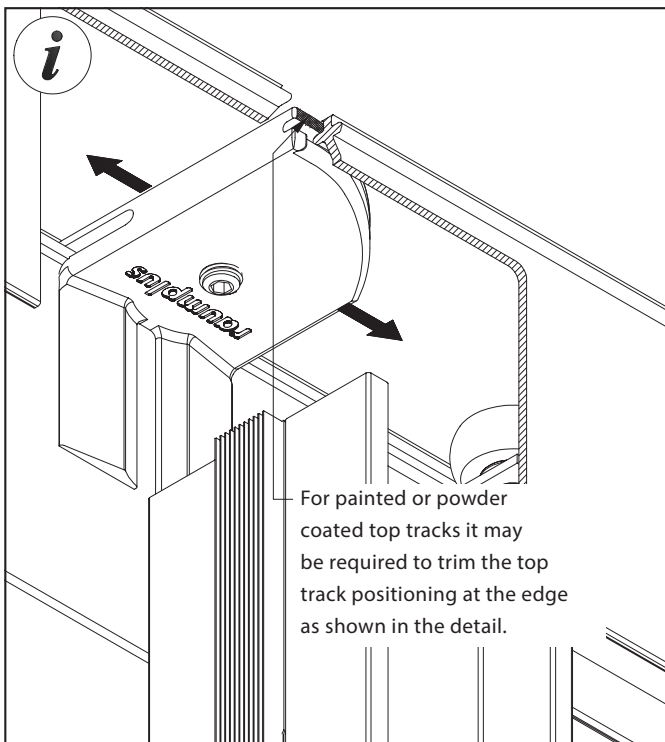
INSTALLATION:



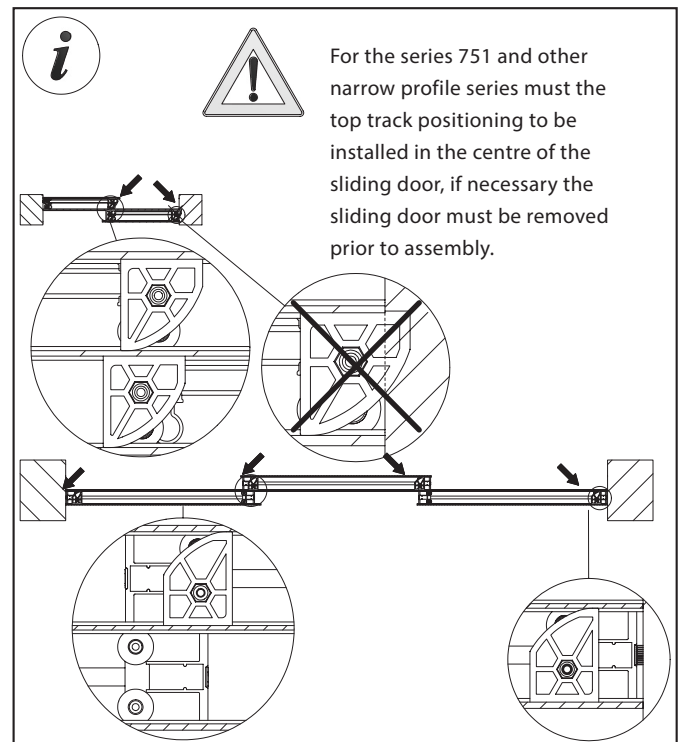
6_ function test



7_ no screw in the assembly sector



8_ trim top track positioning if necessary



9_ positioning examples for the top track positioning