

SLIDING DOOR SYSTEM: INSTALLATION INSTRUCTIONS HOW TO INSTALL A SLIDING DOOR (S34 + S42)

V2018.1

CONTENTS

General information and tools_ page 03

Tracks_ page 04

Installation_ page 05 – 09

Assembly_ page 10

Detail drawings_ page 11 – 14

GENERAL INFORMATION / TOOLS

GENERAL INFORMATION:

Preparation:

We recommend reading these instructions before starting.

Carefully unpack and check all items before beginning assembly.

When transporting assembled doors; always lift at corners and lean doors on their side – never stand them upright as this may damage the bottom roller.

The high quality raumplus family of sliding door systems offers a wide range of possibilities. Systems with or without bottom track, ceiling or wall mounted systems, corner solutions, locks, applied and true divided panels.

The "HOW TO INSTALL A SLIDING DOOR (S34 + S42)" describes the process of installing an S34 or S42 bottom rolling system.

For other instructions, please see:

HOW TO ASSEMBLE A SLIDING DOOR (S34 + S42)

INSTALLATION INSTRUCTIONS_S34/S42 WALL-MOUNT END CAPS + L-BRACKET

INSTALLATION INSTRUCTIONS_S34/S42 TOP TRACK POSITIONING

INSTALLATION INSTRUCTIONS_S34/S42 TOP AND BOTTOM TRACK CONNECTORS

ASSEMBLY INSTRUCTIONS_S34/S42 STOPPER FOR TOP TRACK + END CAP

HOW TO ASSEMBLE A SLIDING DOOR (AIR)

HOW TO INSTALL A SLIDING DOOR (AIR)

For additional instructions see website www.raumplusna.com

Technical details are subject to change.

INFORMATION:

It is assumed that you have exactly identified all cutting dimensions according to the measurement instruction for raumplus-products.

max. door weight: 180 kg [390 lbs]

TOOLS:

pencil and masking tape

drill and drill bits

screwdriver (phillips)

metric allen-key set

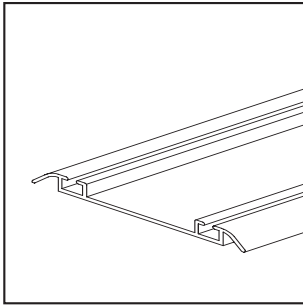
level

white rubber mallet

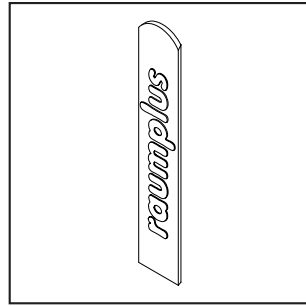
metal saw

plumb-line (optional)

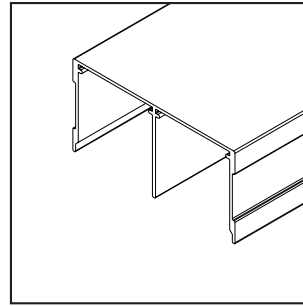
TRACKS_S34/S42



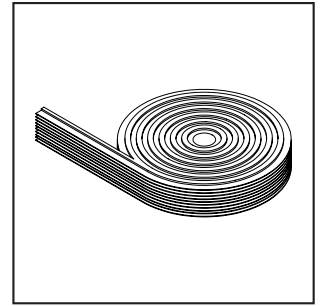
1_



4_



2_



3_

1_ Bottom track_supplied with double sided adhesive tape (if applicable). Bottom tracks ships 50mm [2"] over-sized to ensure tight fit, unless otherwise requested. (fig.1,Double surface track).

2_ Top Track_to be mounted to ceiling. Top tracks ships 50mm [2"] over-sized to ensure tight fit unless otherwise requested. (fig.2, Double top track).

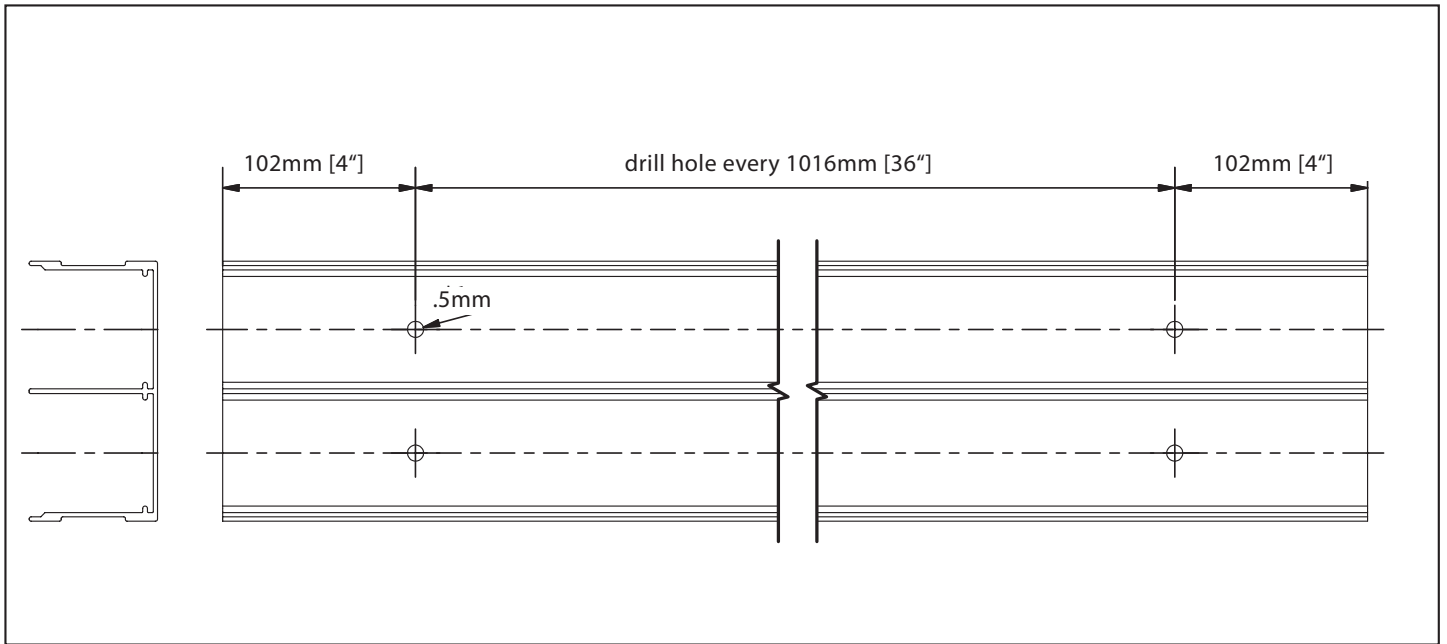
3_ Brush gasket_provides a dust seal between wall and door when applied to door stile. Optional rubber gasket may be specified instead of brush gasket.

4_ Plugs_adhesive plugs to cover frame and wheel-adjustment holes.

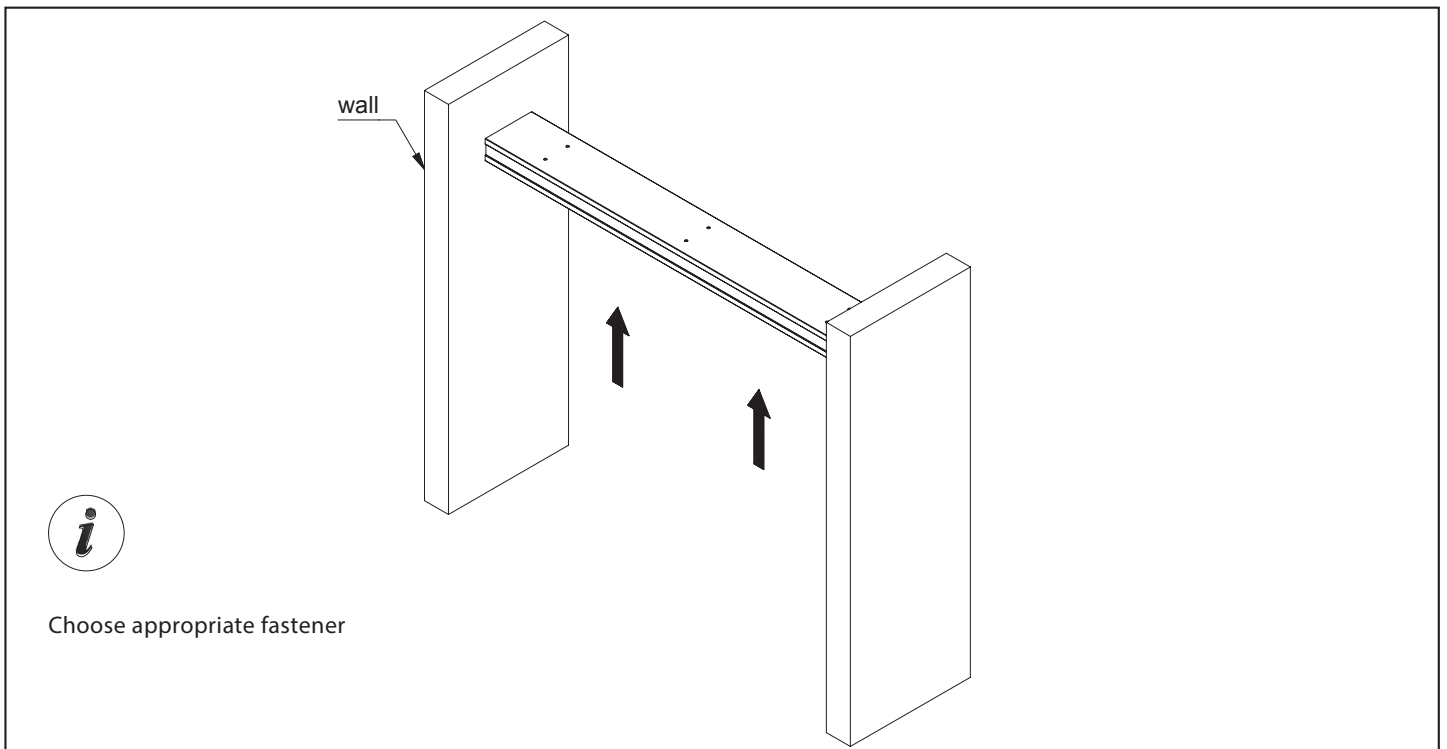
Note: Top and bottom tracks are available in many variations, please consult your product guide for details.

INSTALLATION_S34/S42

PREPARE / MOUNT TOP TRACK:



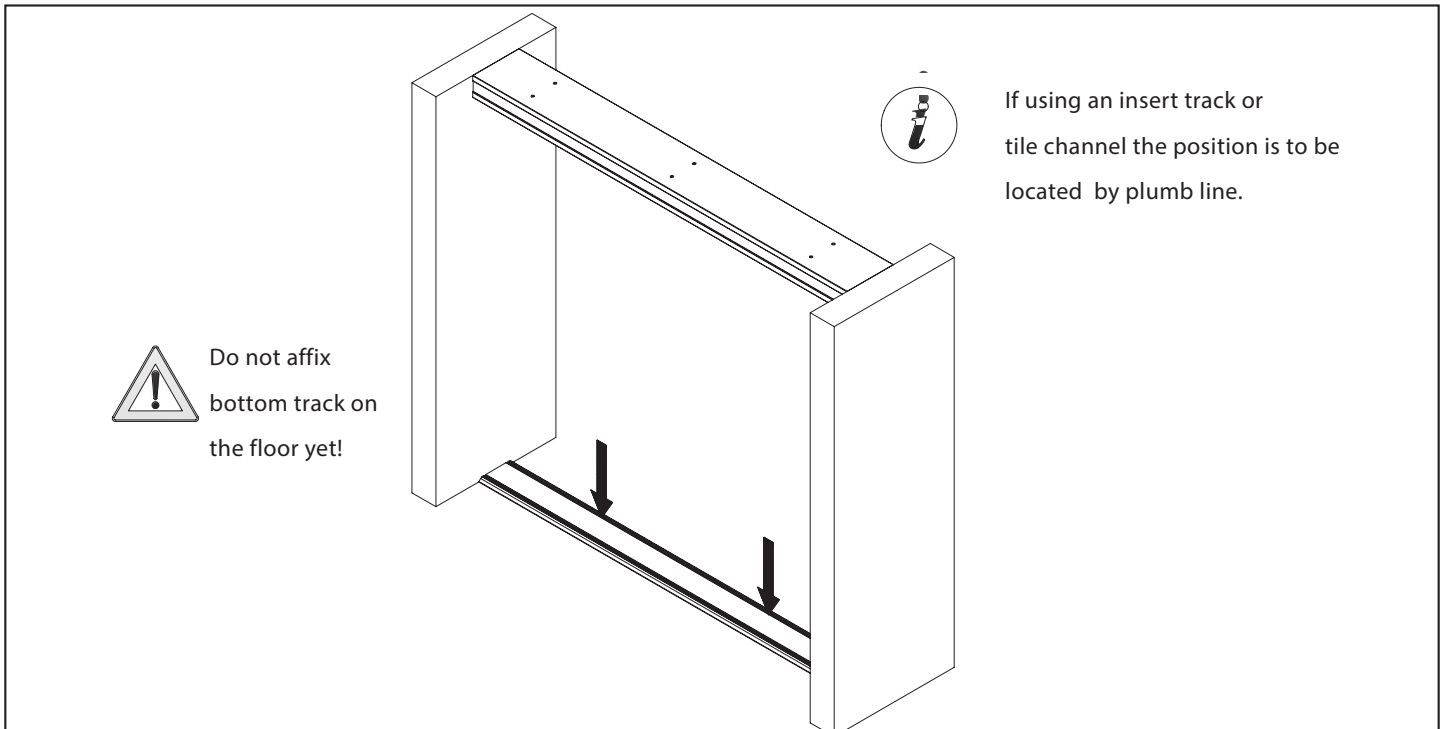
1_ cut top track to final dimension and drill holes.



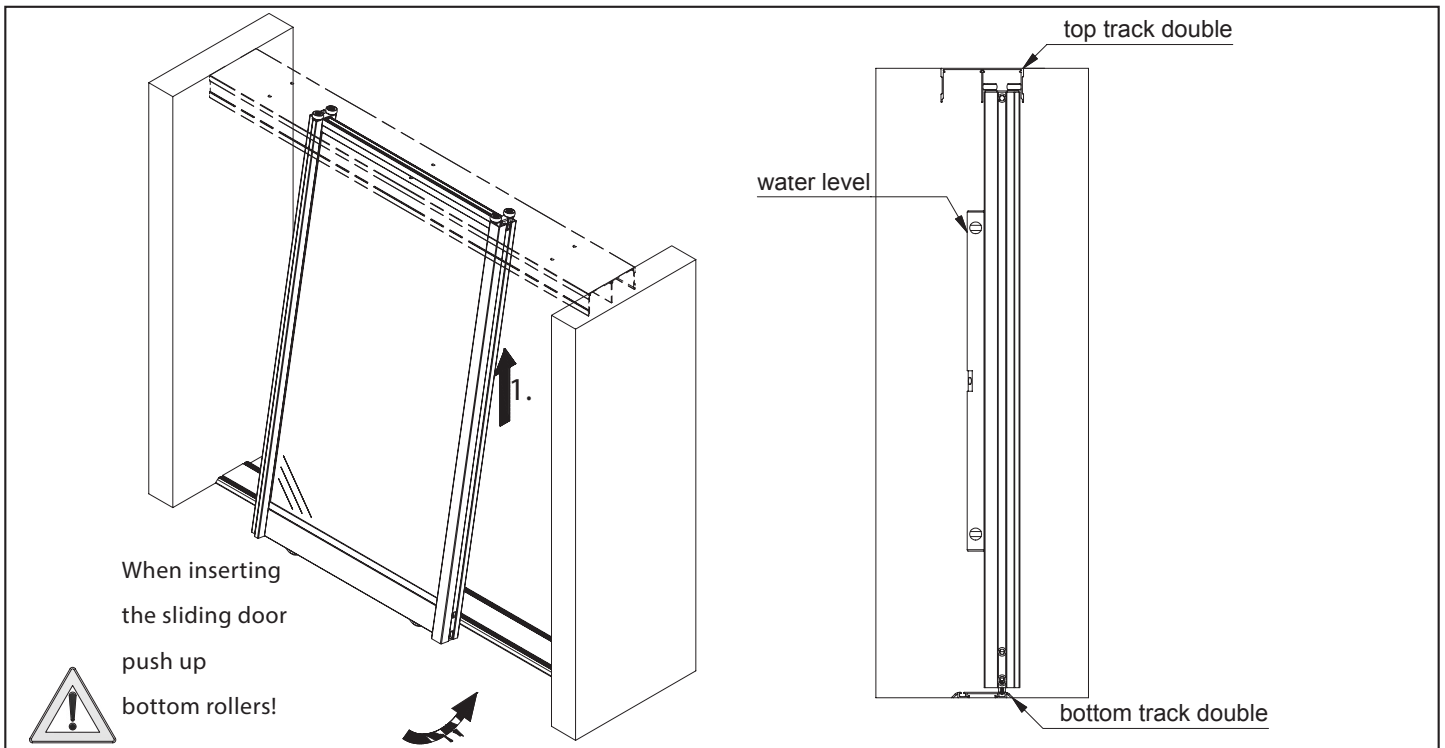
2_ drill holes and mount top track (fig.2 without ceiling)

INSTALLATION_S34/S42

SHORTEN BOTTOM TRACK / MARK POSITION:



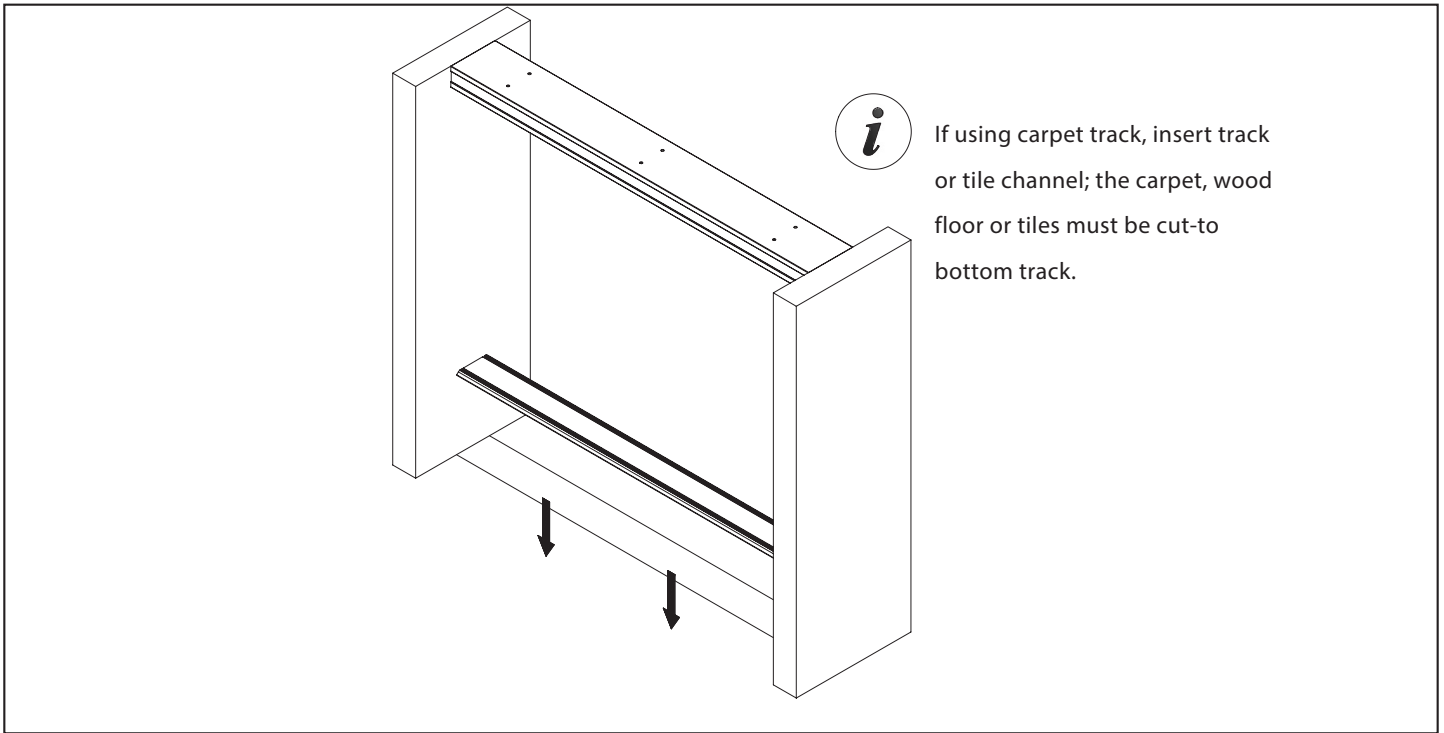
3_ cut bottom track to final dimension and position it nearly under the top track



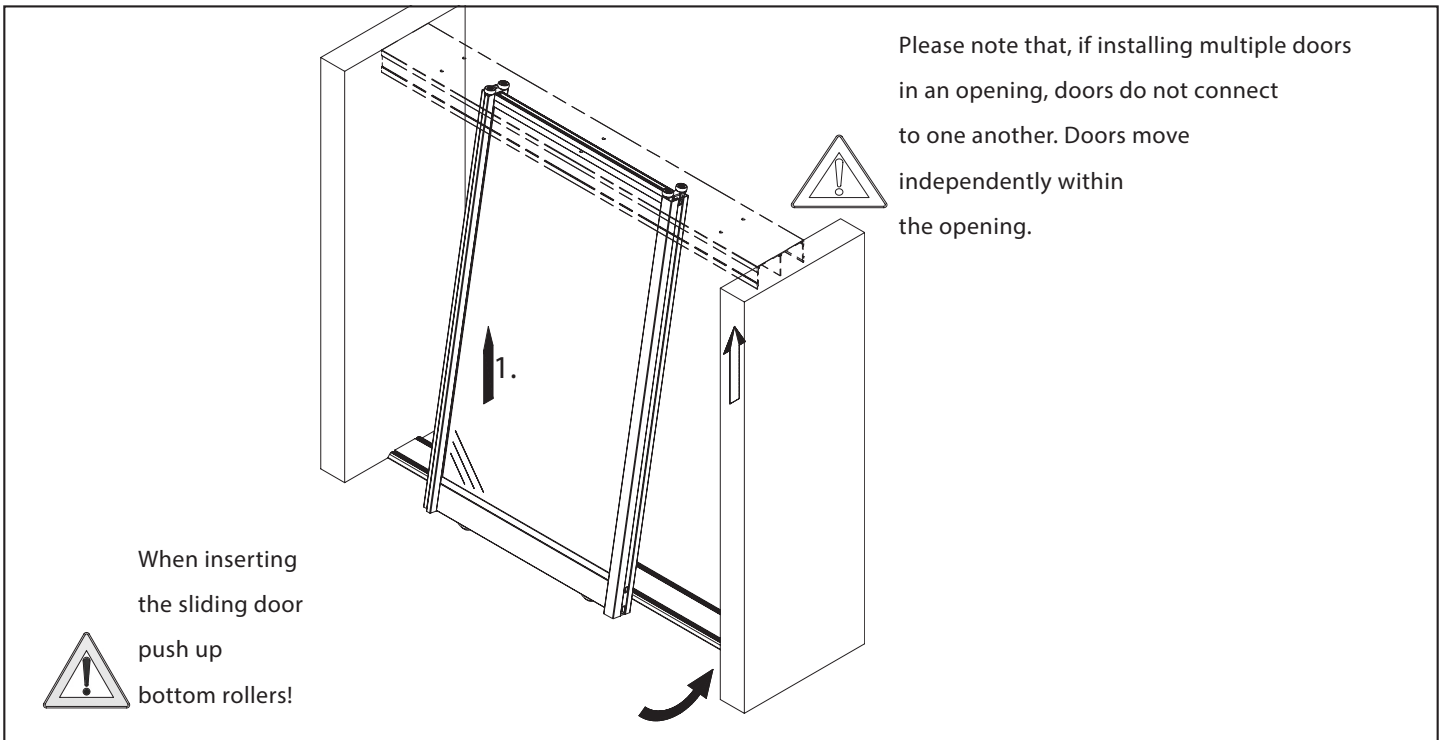
4_ insert sliding door, align perpendicular by moving bottom track, mark position with masking tape

INSTALLATION_S34/S42

AFFIX BOTTOM TRACK / INSERT DOOR:



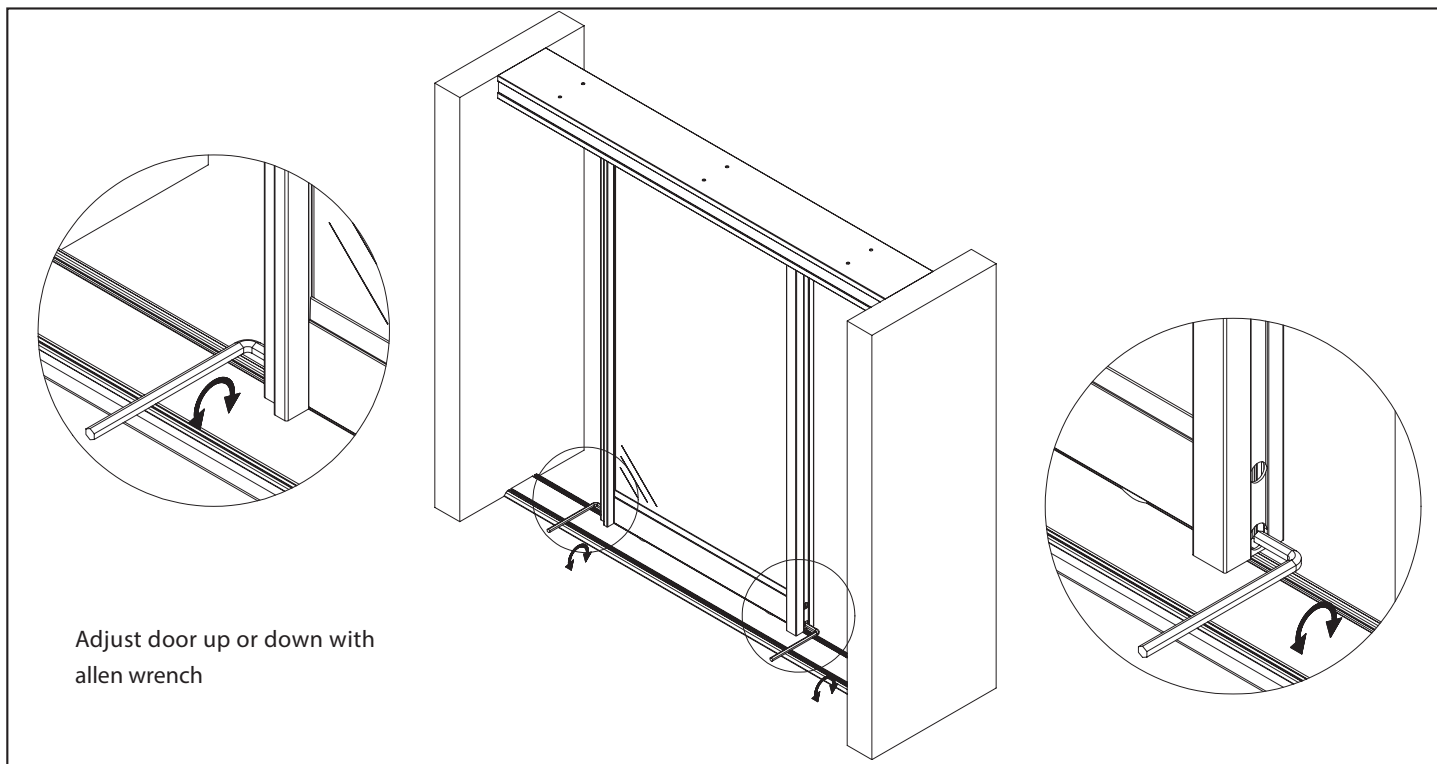
5_ remove sliding door, clean floor surface and install bottom track at marked position



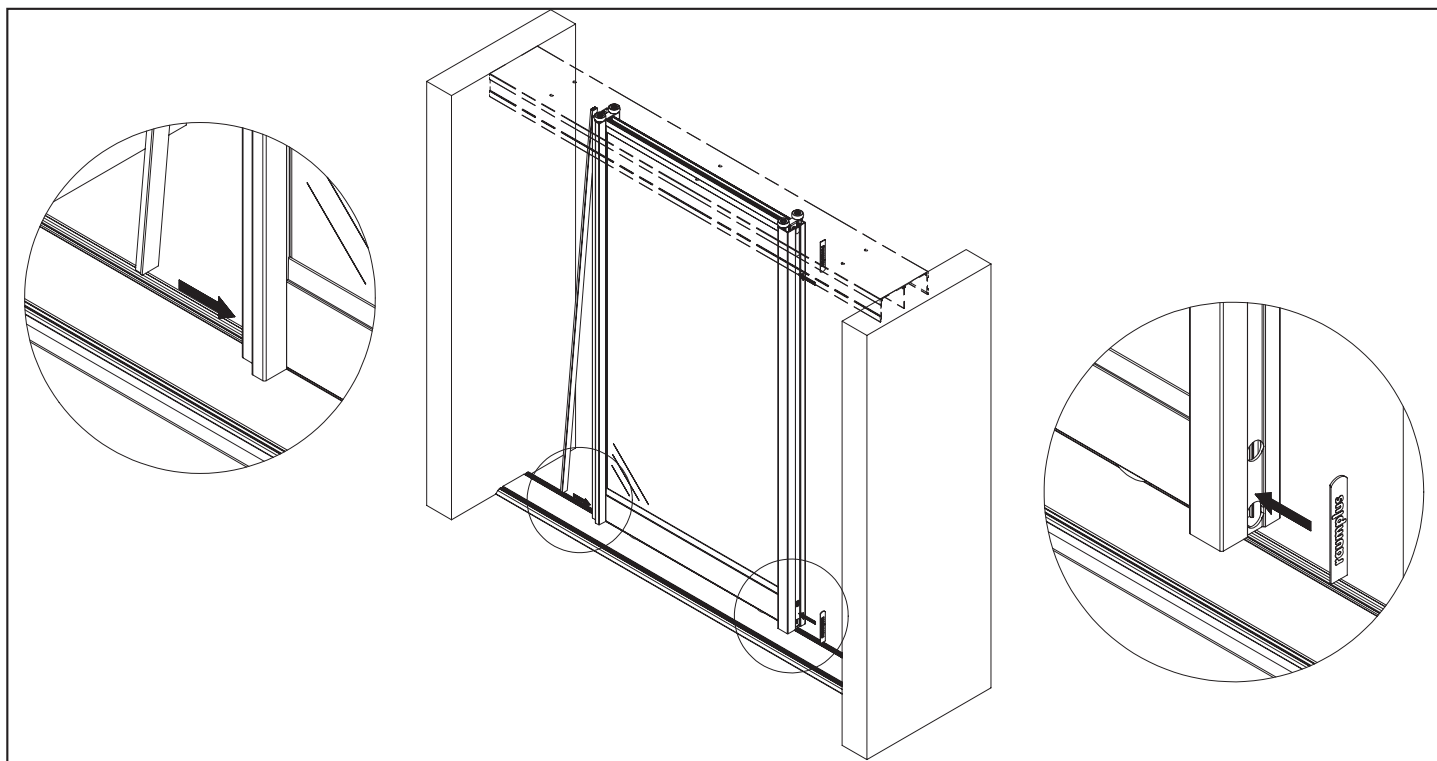
6_ install sliding door

INSTALLATION_S34/S42

ADJUST DOOR / APPLY BRUSH GASEKET:



7_level sliding door



8_ install plugs for punch holes and brush gasket (details see page 09)

INSTALLATION_S34/S42

POSITION FOR BRUSH GASKET:

1. Example

2. Example
stile reversed

3. Example
stiles mixed

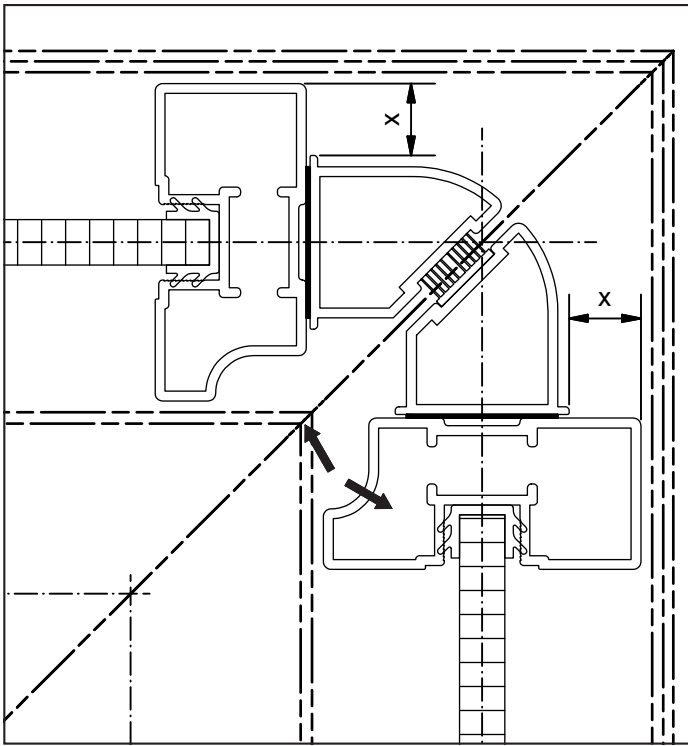
Clip

i Apply brush gasket and fix it with clip on top and bottom.
For the remaining sides, plugs have to be applied at the top and bottom over drill holes.

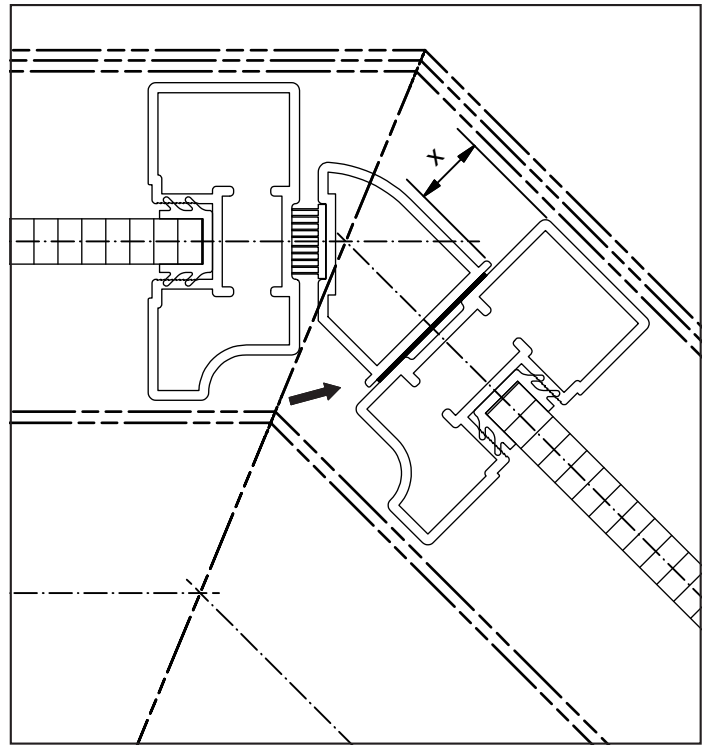
15_ positions of brush gasket

ASSEMBLY_S34/S42

90°- / 135°-CORNER SOLUTION:



2_ 90°-corner solution (S1500 shown)



3_ 135°-corner solution (S1500 shown)

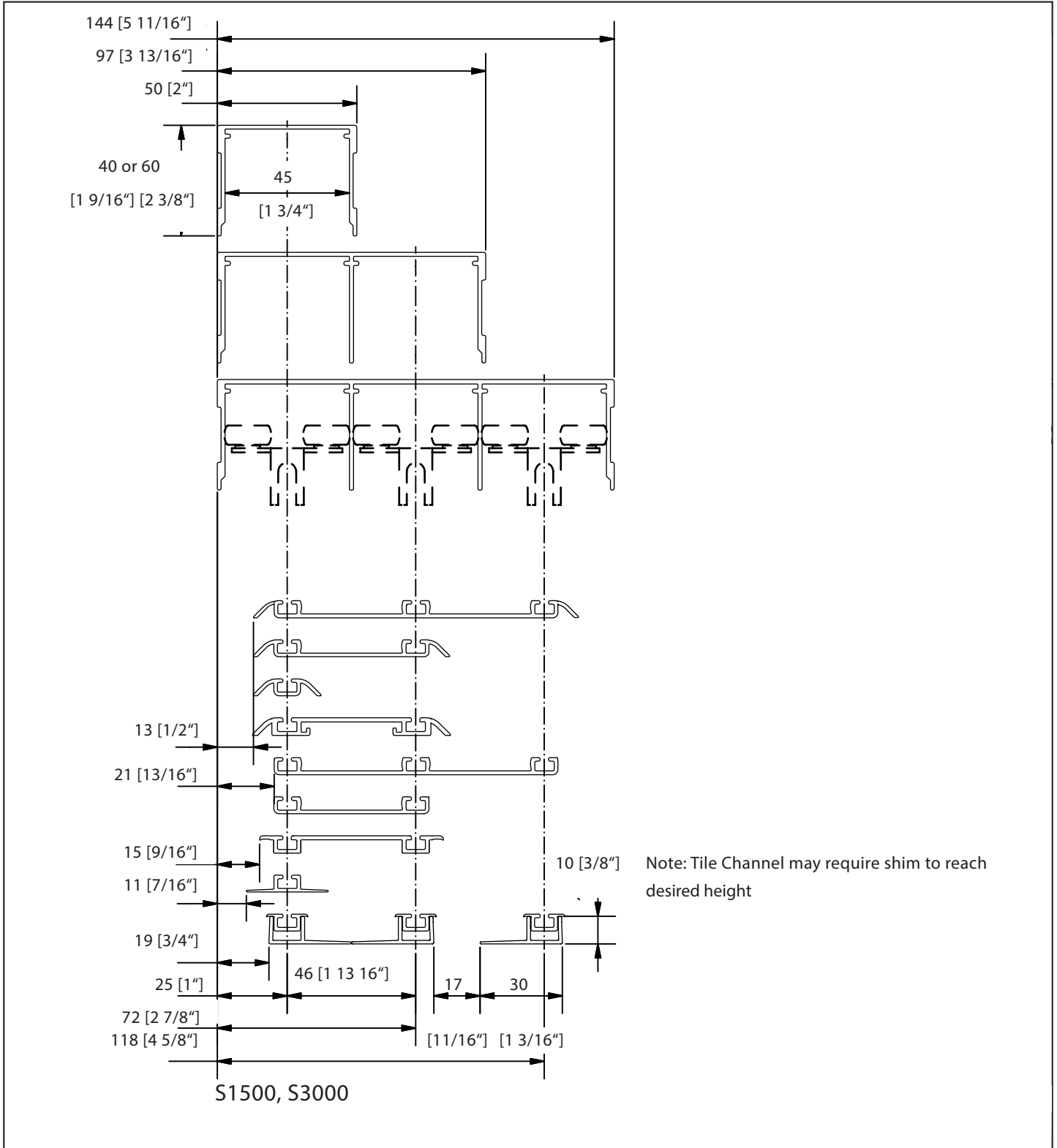
30 [1 3/16"]



INFORMATION: The corner profiles are to be applied to the vertical profiles with double-sided adhesive tape. (fig.2 and 3).
At the 135°-corner solution only one corner profile is required.

DETAIL DRAWING_S42

POSITIONS OF BOTTOM TRACK S42:



DETAIL DRAWING_S42

OVERVIEW OF BOTTOM TRACKS S42

