

# FIXED WALL SYSTEM: INSTALLATION & ASSEMBLY INSTRUCTIONS HOW TO ASSEMBLE & INSTALL (S1600) FIXED PANEL

V2017.1

# INDEX

General Information / Tools\_ page 03

Components\_ page 04 - 05

Preparation/Assembly\_ page 06 - 08

Installation\_ page 09 - 17

# GENERAL INFORMATION / TOOLS

## GENERAL INFORMATION:

### Preparation:

We recommend reading these instructions before starting.

Carefully unpack and check all items before beginning assembly.

When transporting assembled doors; always lift at corners and lean doors on their side – never stand them upright as this may damage the bottom roller.

The high quality raumplus family of sliding door systems offer a wide range of possibilities.

Systems with or without bottom track, ceiling or wall mounted systems, corner solutions, locks, applied and true divided panels.

The "HOW TO ASSEMBLE AND INSTALL S1600" describes the process of assembling a S42 S1600 fixed panel system.

For other instructions, please see:

HOW TO INSTALL A SLIDING DOOR (S34 + S42)

HOW TO ASSEMBLE A SLIDING DOOR (S34 + S42)

ASSEMBLY INSTRUCTIONS\_S34/S42 STOPPER FOR TOP TRACK + END CAP

INSTALLATION INSTRUCTIONS\_S34/S42 WALL-MOUNT END CAPS + L-BRACKET

INSTALLATION INSTRUCTIONS\_S34/S42 TOP AND BOTTOM TRACK CONNECTORS

INSTALLATION INSTRUCTIONS\_TRUE DIVIDING RAIL

HOW TO ASSEMBLE A SLIDING DOOR (AIR)

HOW TO INSTALL A SLIDING DOOR (AIR)

For additional instructions see website [www.raumplusna.com](http://www.raumplusna.com)

Technical details are subject to change

### INFORMATION:

It is assumed that you have exactly identified all cutting dimensions according to the measurement instruction for raumplus-products.

max. door weight: 180kg [390 lbs]

## TOOLS:

tape measure

level

fasteners

metal saw

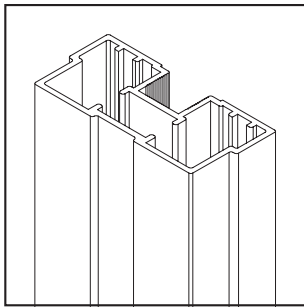
drill with metal drill bits

screwdriver

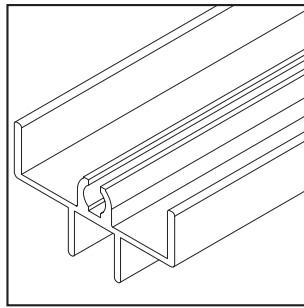
white rubber mallet

allen key set

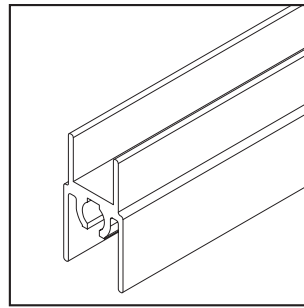
# COMPONENTS\_S1600



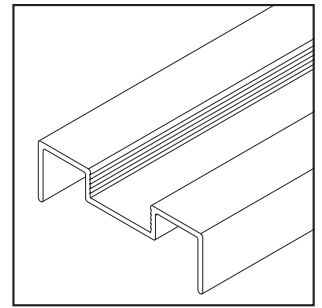
1\_



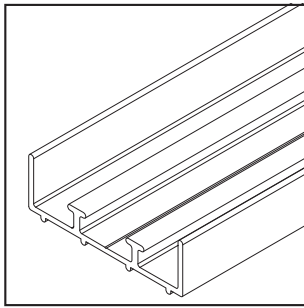
2\_



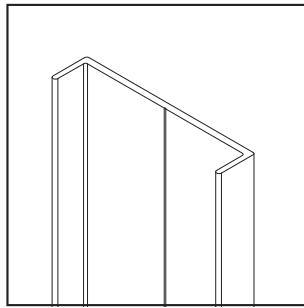
3\_



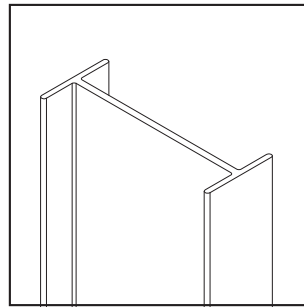
4\_



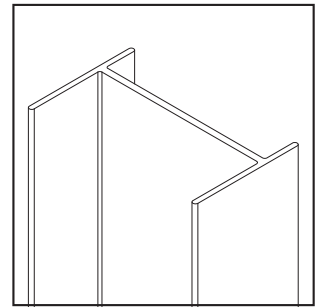
5\_



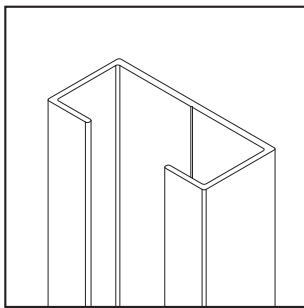
6\_



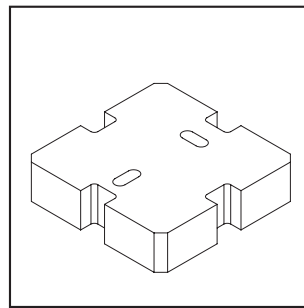
7\_



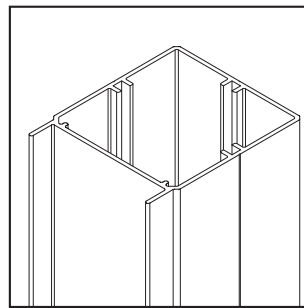
8\_



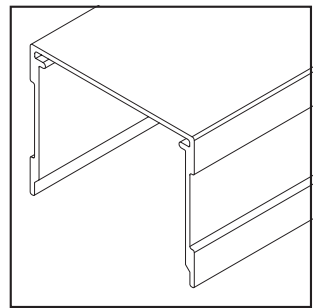
9\_



10\_



11\_

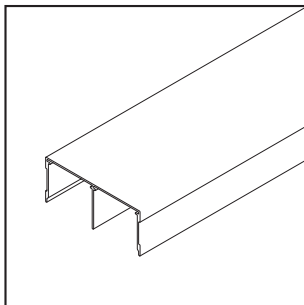


12\_

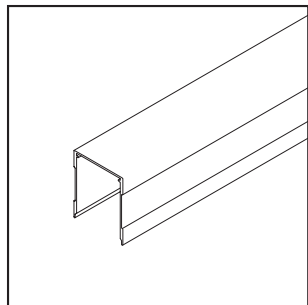
- 1\_ S1600 Stile\_ (vertical profile)\_ forms the vertical frame of the sliding door together with the top and bottom rails.
- 2\_ S1600 Top rail \_ forms the horizontal top frame of the sliding door together with the vertical profiles and bottom rail.
- 3\_ S1600 Bottom rail\_ forms the horizontal bottom frame of the sliding door together with vertical profiles and top rail.
- 4\_ S1600 Ground cover\_ slides over the ground connection profile (Fig. 5) and is adjustable up or down with the use of shims.
- 5\_ S1600 Ground connection\_ attaches to the floor and ground cover profile (Fig. 4) slides over top.
- 6\_ S1600 Cover for corner profile\_ Use in combination with corner post for multiple direction fixed panels.
- 7\_ S1600 Combi profile\_ Use to connect two S1600 fixed panels.
- 8\_ S1600 Wall combi profile\_ Use with wall connection profile (Fig. 9) to connect panel to wall.
- 9\_ S1600 Wall connection profile\_ Use to connect fixed panel to wall. To be used in conjunction with wall combi profile.
- 10\_ S1600 Ground plate for corner profile\_ Used to anchor the S1600 Corner profile to the floor.
- 11\_ S1600 Corner profile\_ Use as a corner post.
- 12\_ S42 Top track single\_ Ceiling or wall-mounted (add wall-mounted bracket and wall-mounted end caps).

The details shown are to be understood as examples; a wide range of variations with similar designs are available.

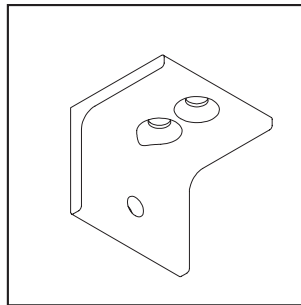
# COMPONENTS\_S1600



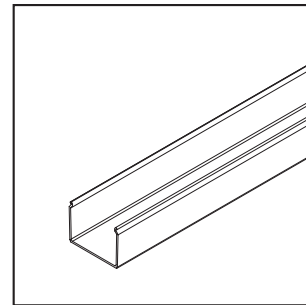
13\_



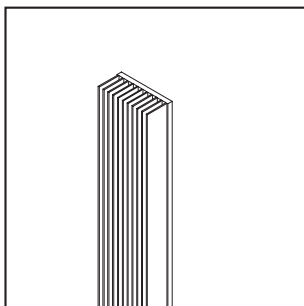
14\_



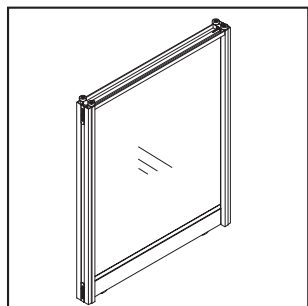
15\_



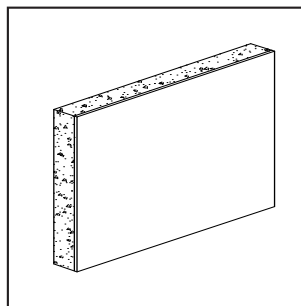
16\_



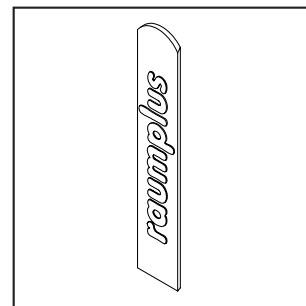
17\_



18\_



19\_



20\_

13\_ S42 Double top track\_ Ceiling-mounted only.

14\_ S42 Single top track, 60mm height\_ Ceiling or wall-mounted (add wall-mounted L- bracket).

15\_ S42 Stopper for top track\_ Use to firmly stop sliding door in top track.

16\_ S42 Cover profile for top track\_ Use to cover inside channel of top track.

17\_ Brush gasket\_ Use to cushion against wall, door or post.

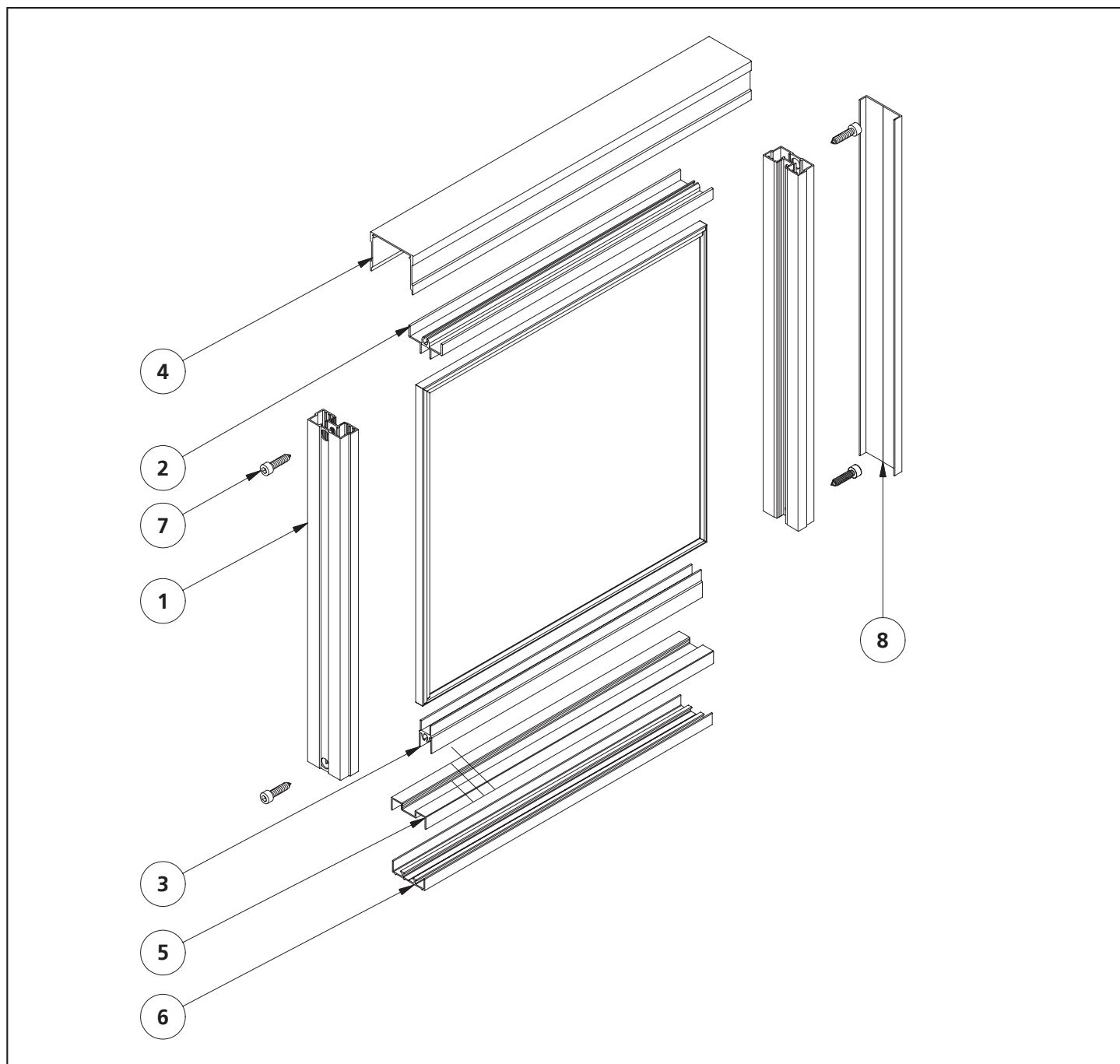
18\_ S1600 Sliding Door\_ S1600 Fixed panel.

19\_ Tape Squares\_ Use to secure panels and accessories together.

20\_ Plugs\_ Covers the holes drilled for the frame screw.

The details shown are to be understood as examples; a wide range of variations with similar designs are available.

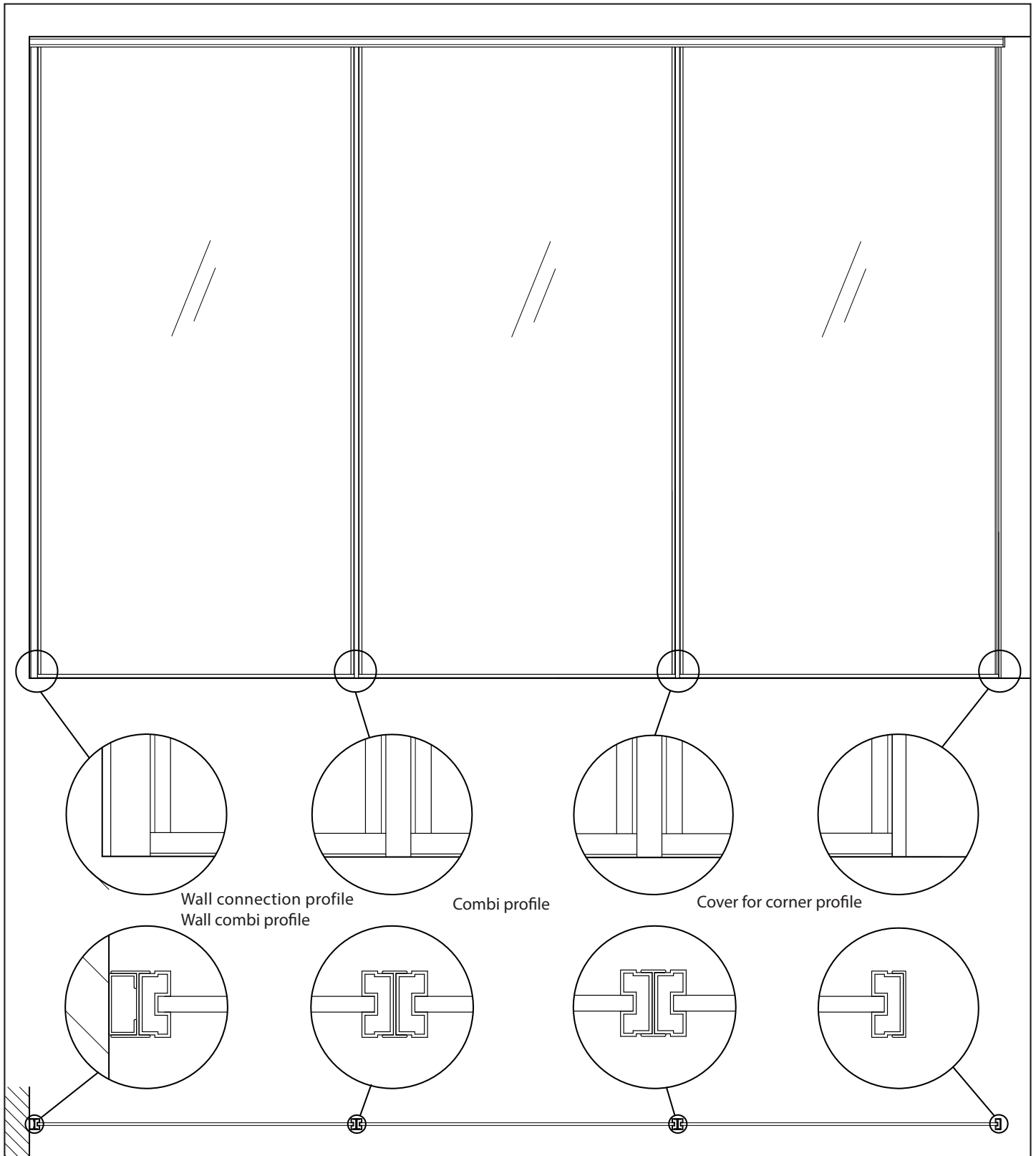
# DETAIL DRAWING



Object	Quantity	Description
1	2	S1600 Stile
2	1	Top rail
3	1	S1600 Bottom rail
4	1	S42 Single top track
5	1	S1600 Ground cover
6	1	S1600 Ground connection profile
7	4	Frame screw
8	1	S1600 Cover for corner profile

# DETAIL DRAWING

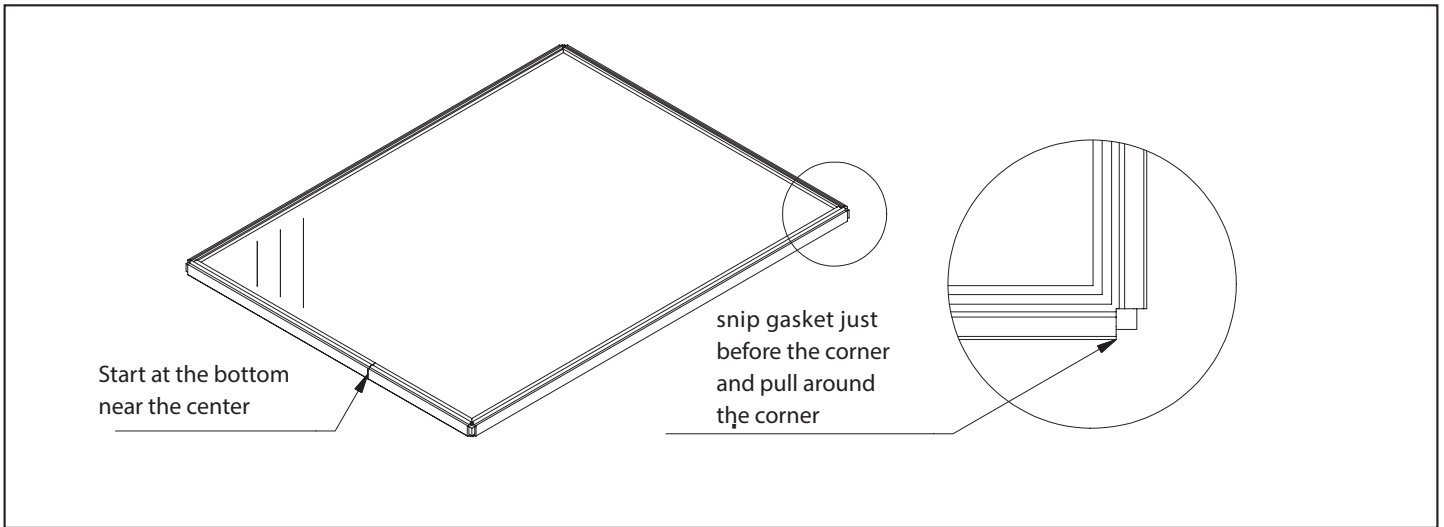
## CONNECTION PROFILES



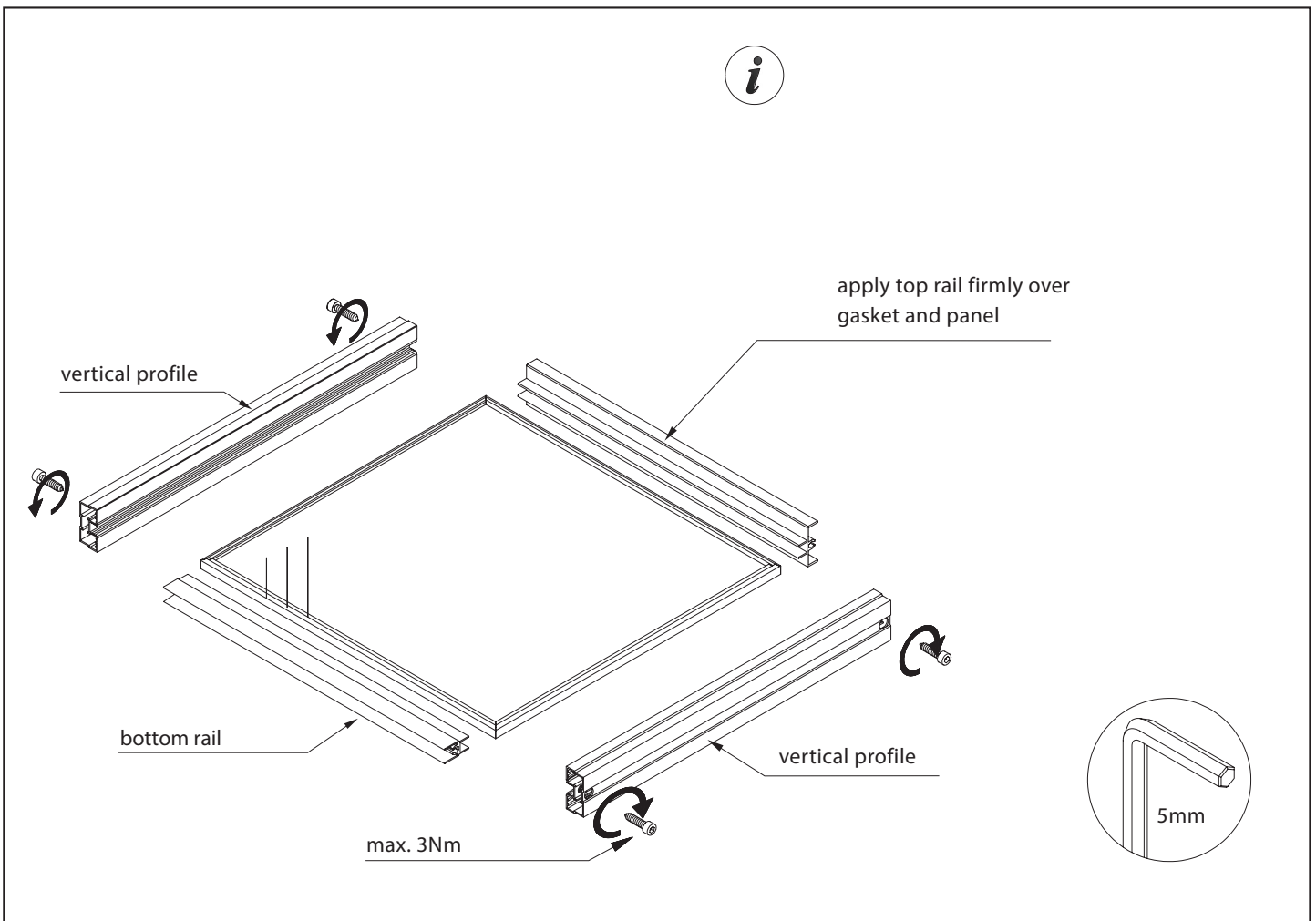
1\_ connection profiles

# ASSEMBLY INSTRUCTION

## FIXED PANEL



1\_ place panel on a table, apply gasket.

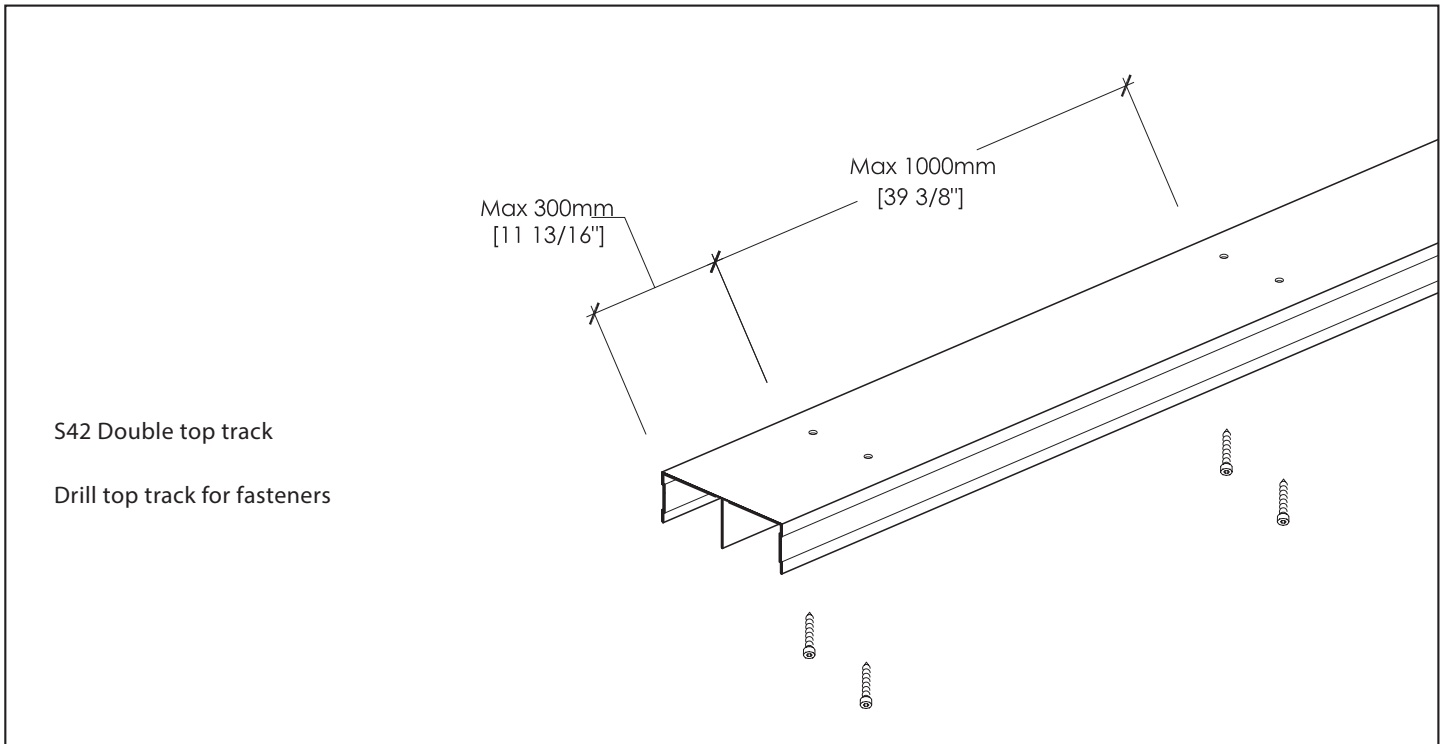


2\_ apply stiles with rubber mallet, screw together then check with straight edge

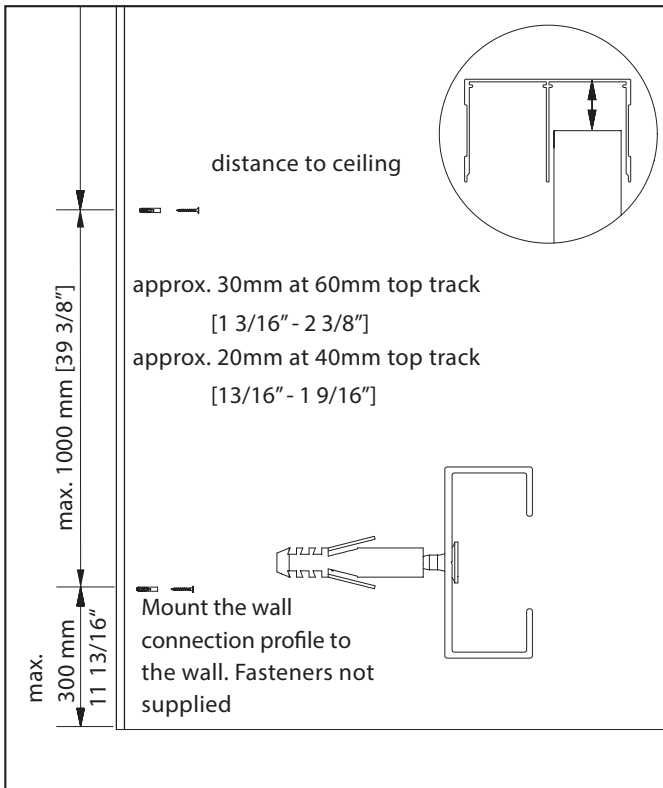


# INSTALLATION INSTRUCTIONS

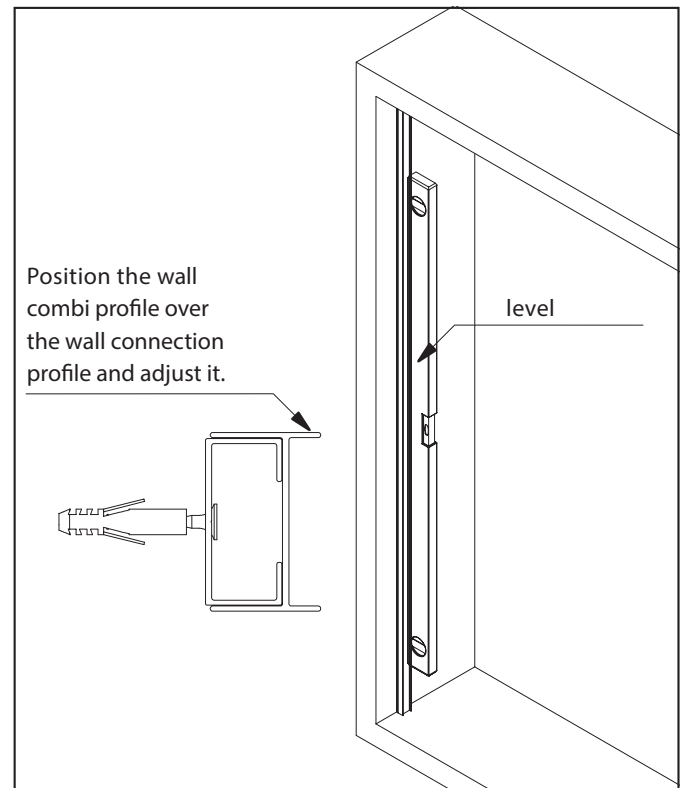
## FIXED PANEL WITH SLIDING DOOR



1\_ ceiling connection: continuous top track. Fasteners not supplied.



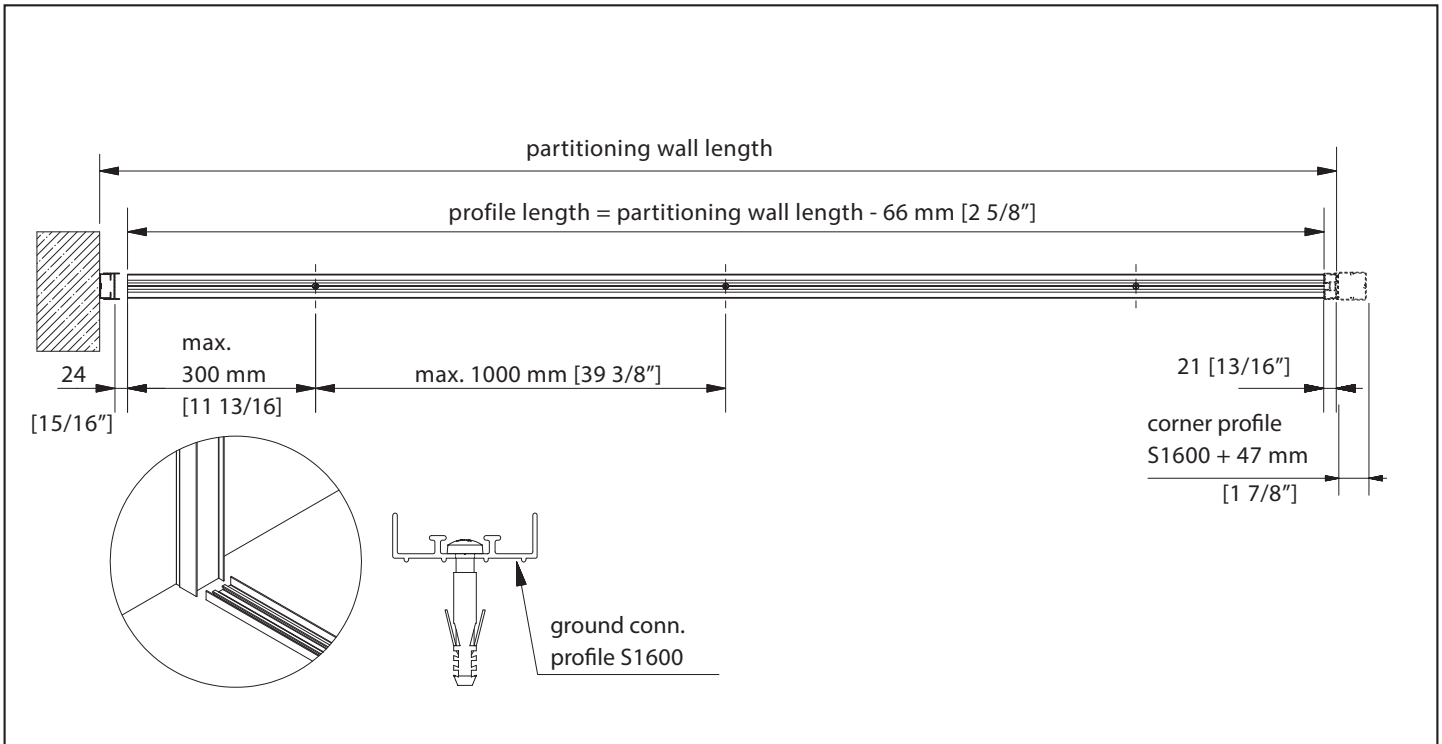
2\_ wall connection profile S1600



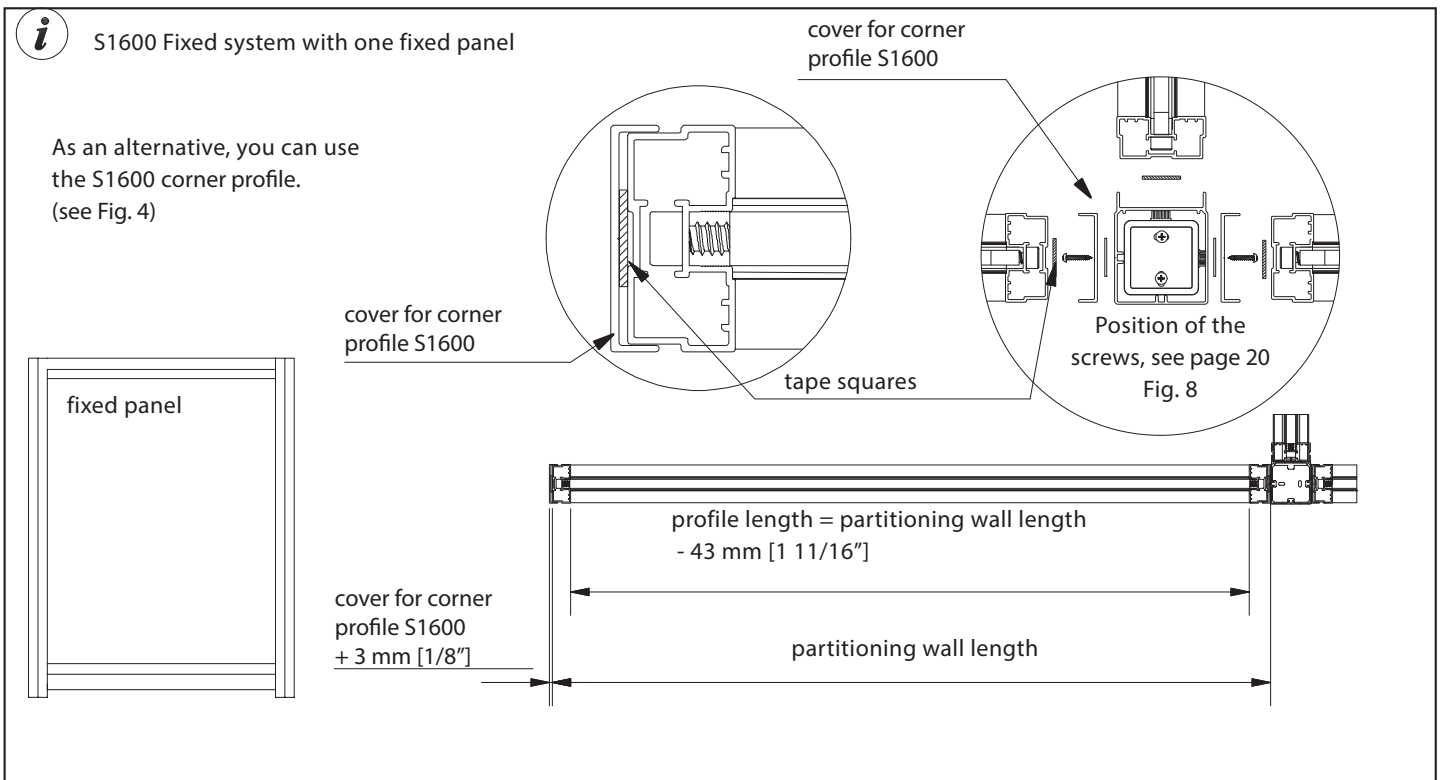
3\_ wall combi profile S1600

# INSTALLATION INSTRUCTION

## FIXED PANEL WITH SLIDING DOOR



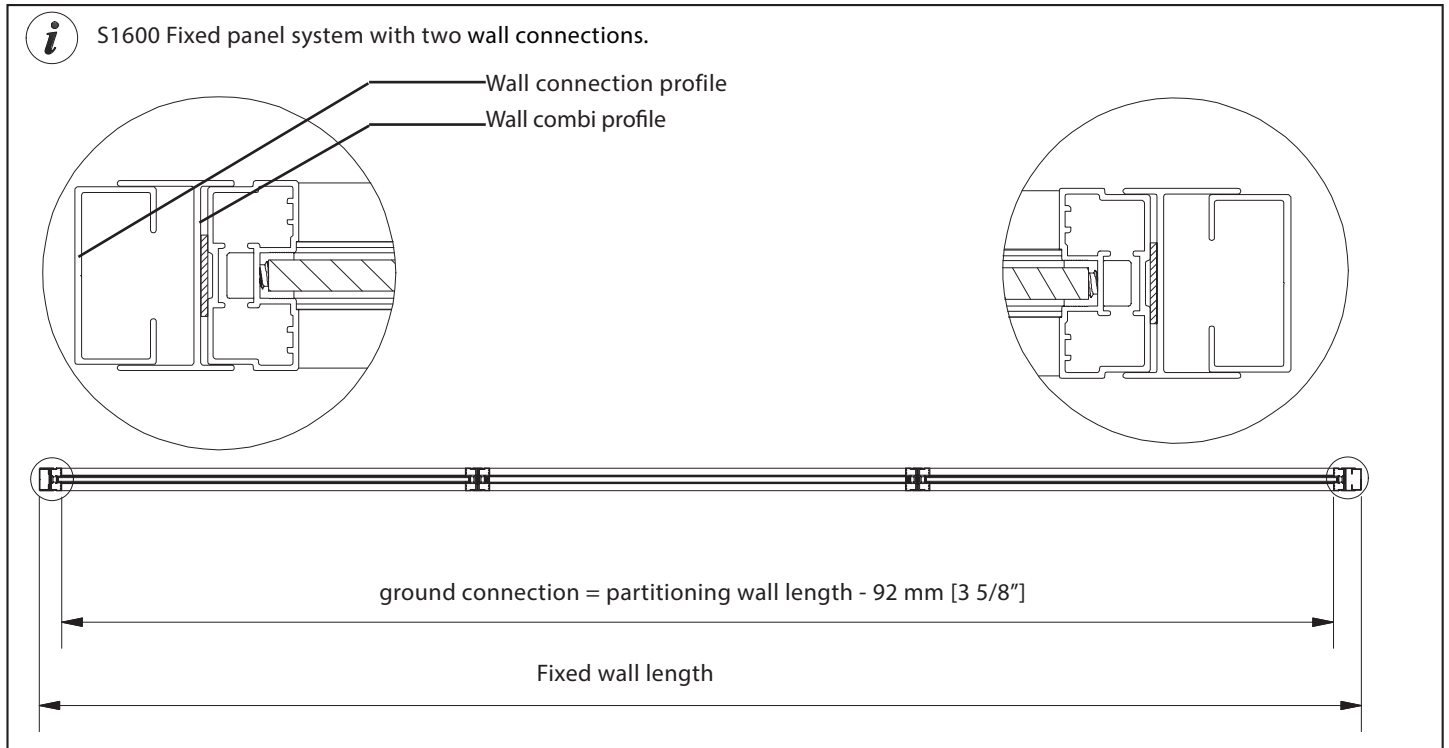
4\_ mounting the ground connection profile S1600



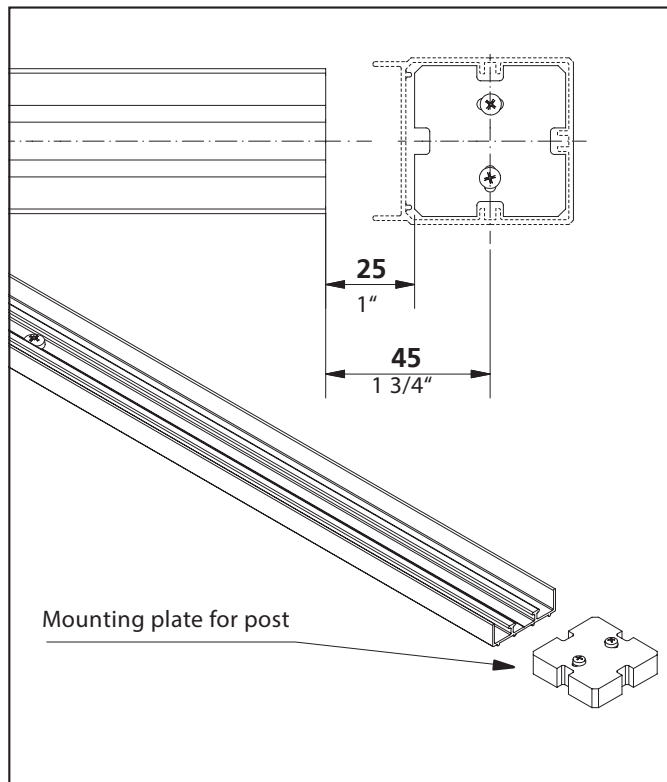
5\_ mounting the S1600 ground connection profile

# INSTALLATION INSTRUCTION

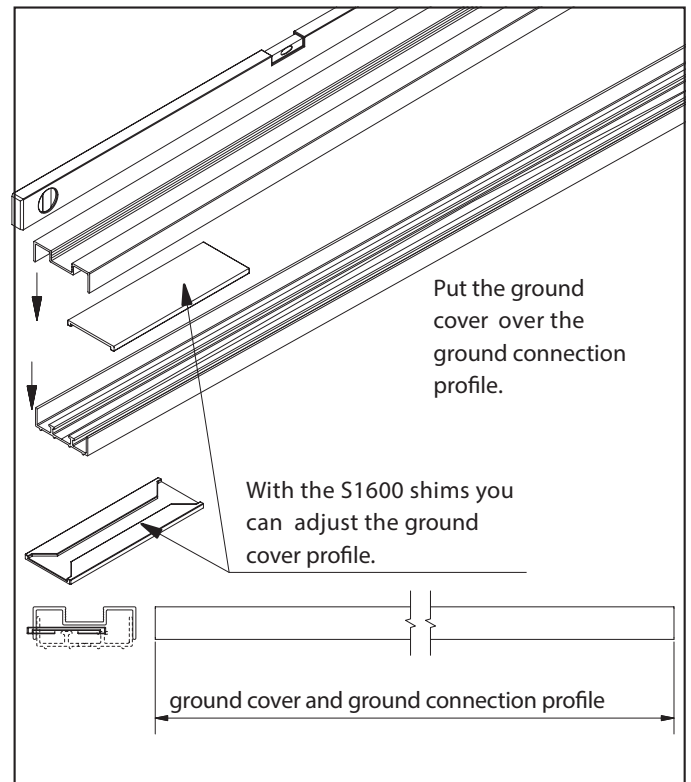
## FIXED PANEL WITH SLIDING DOOR



6\_ mounting the S1600 ground connection



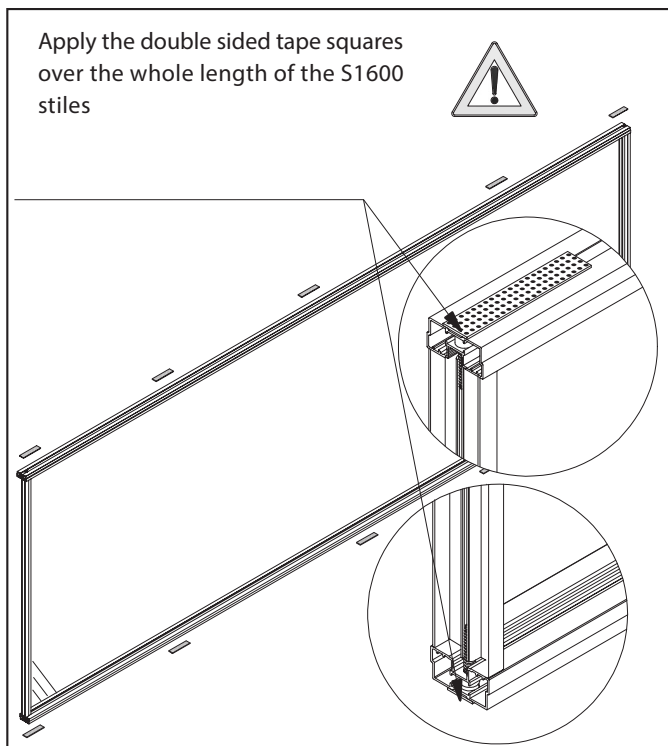
7\_ S1600 ground connection and corner profile



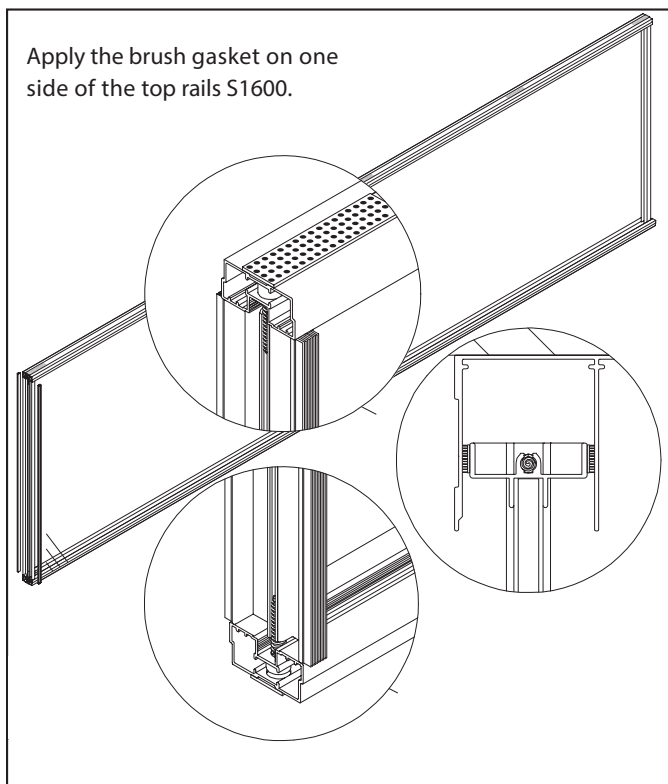
8\_ S1600 ground cover profile

# INSTALLATION INSTRUCTION

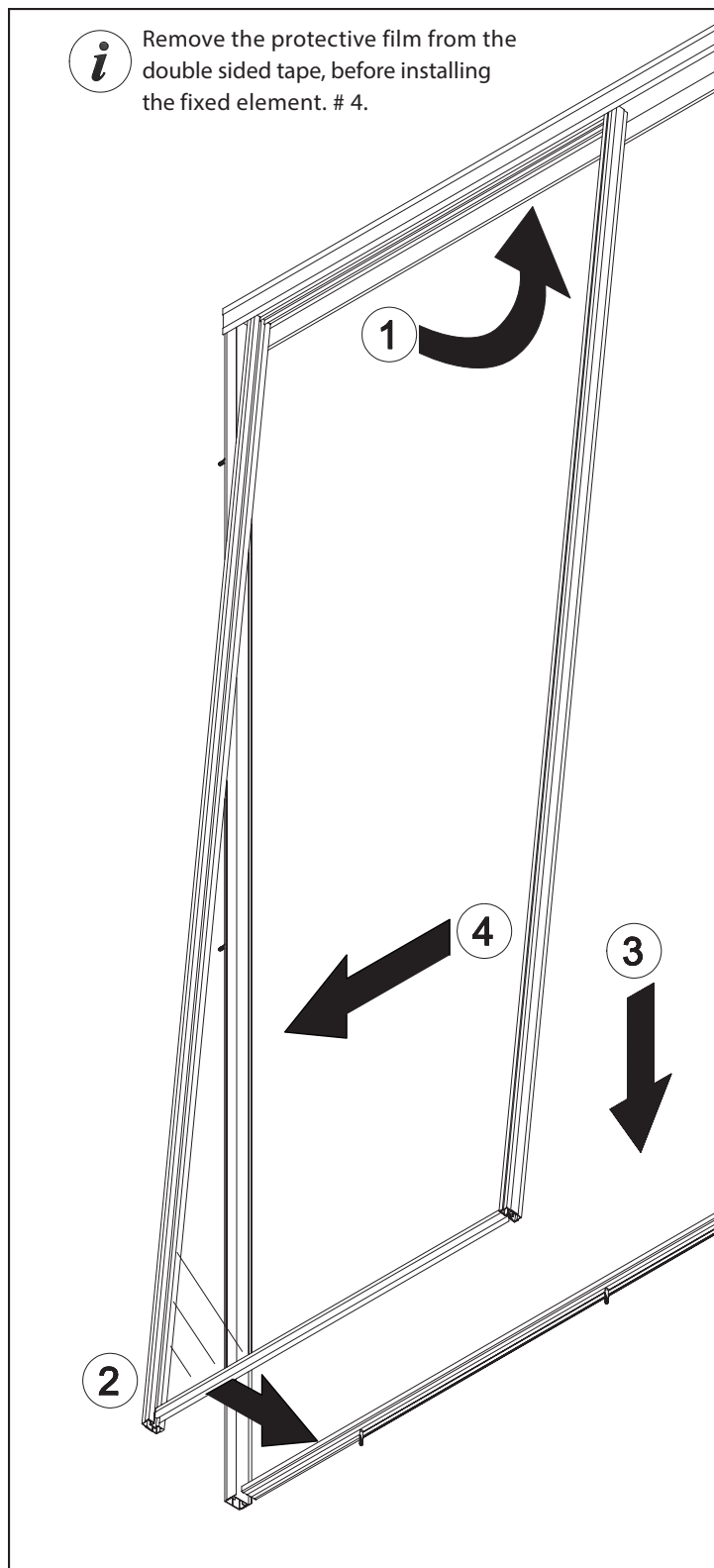
## FIXED PANEL WITH SLIDING DOOR



9\_ attach the double sided tape



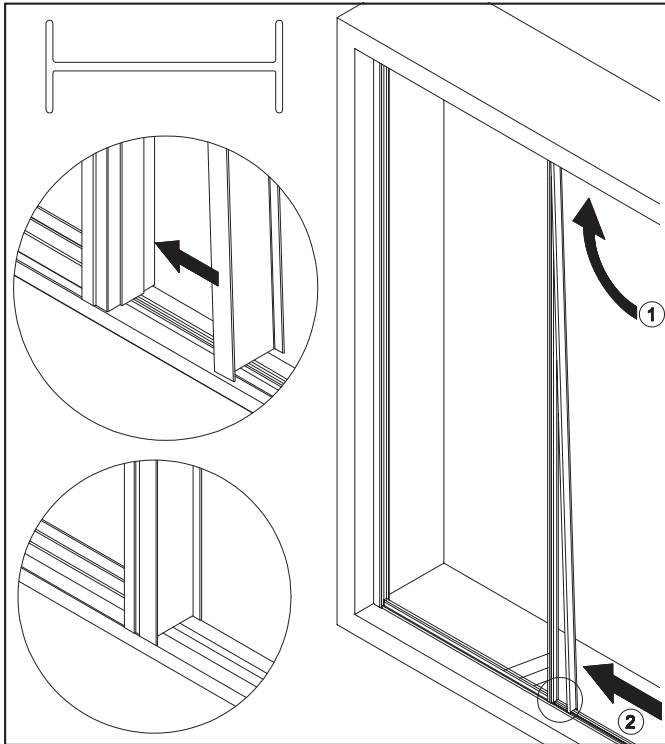
10\_ apply the brush gasket



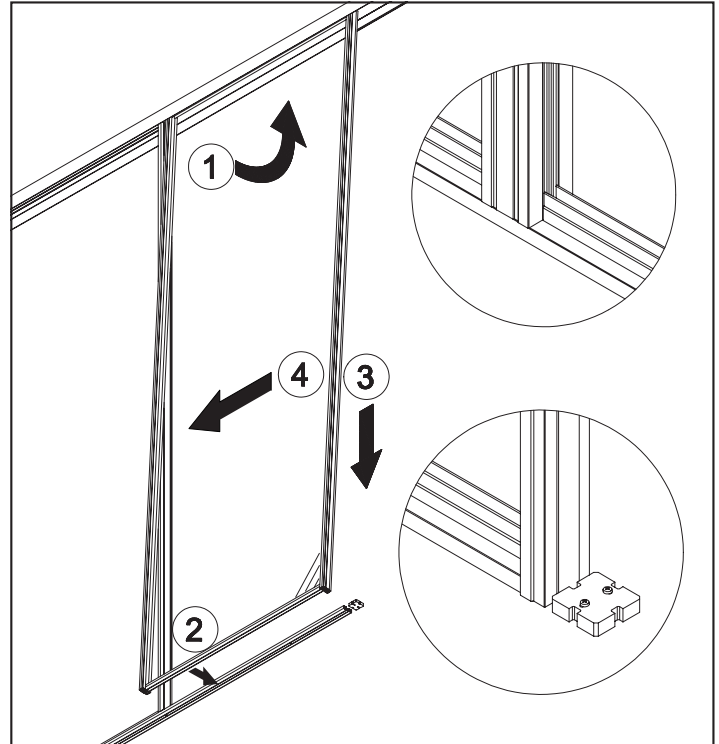
11\_ position the fixed panel

# INSTALLATION INSTRUCTION

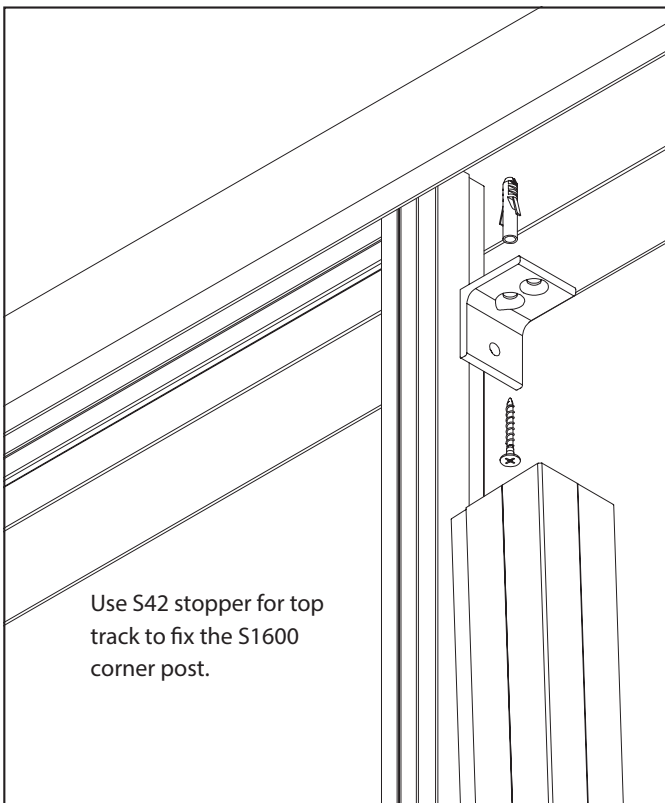
## FIXED PANEL WITH SLIDING DOOR



12\_ positioning of the S1600 combi profile



13\_ insert the second fixed panel

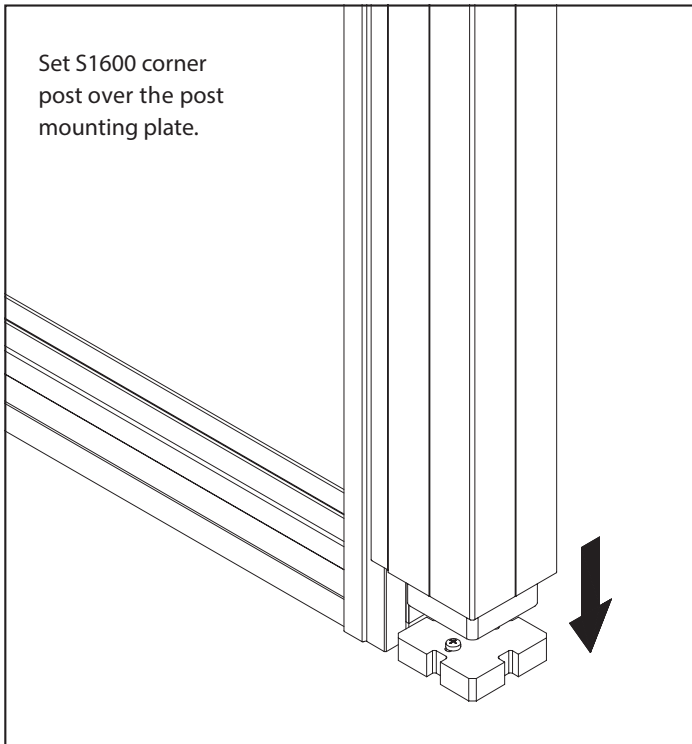


Use S42 stopper for top track to fix the S1600 corner post.

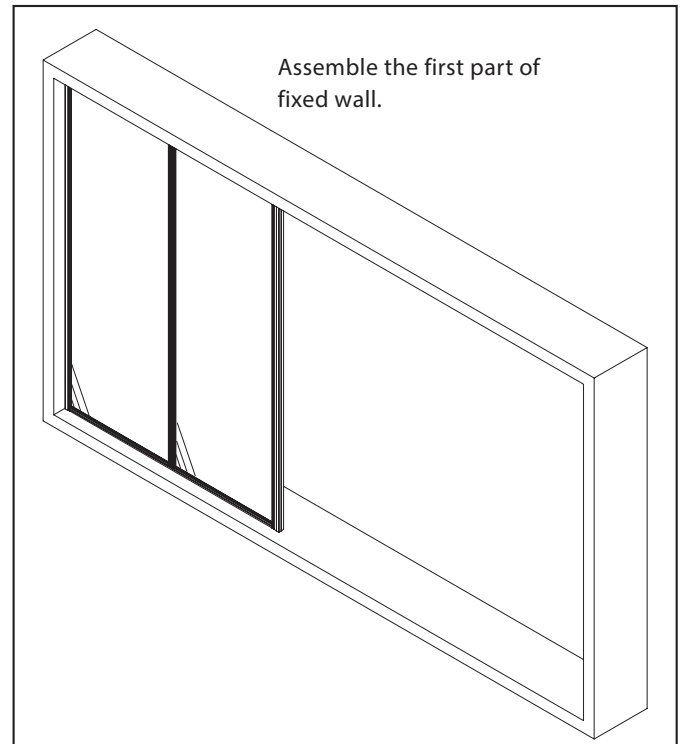
14\_ fix the S1600 corner profile

# INSTALLATION INSTRUCTION

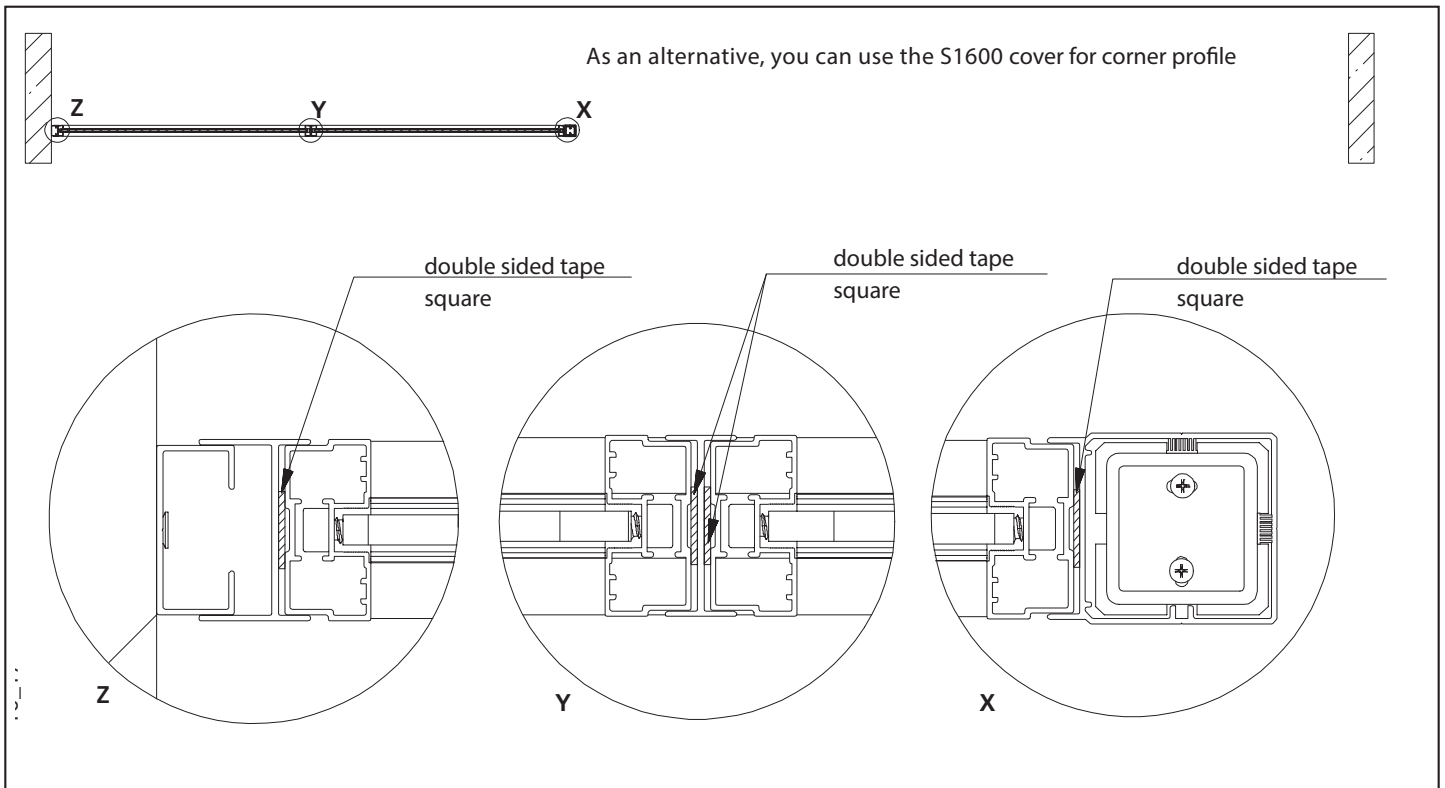
## FIXED PANEL WITH SLIDING DOOR



15\_ set the S1600 corner profile



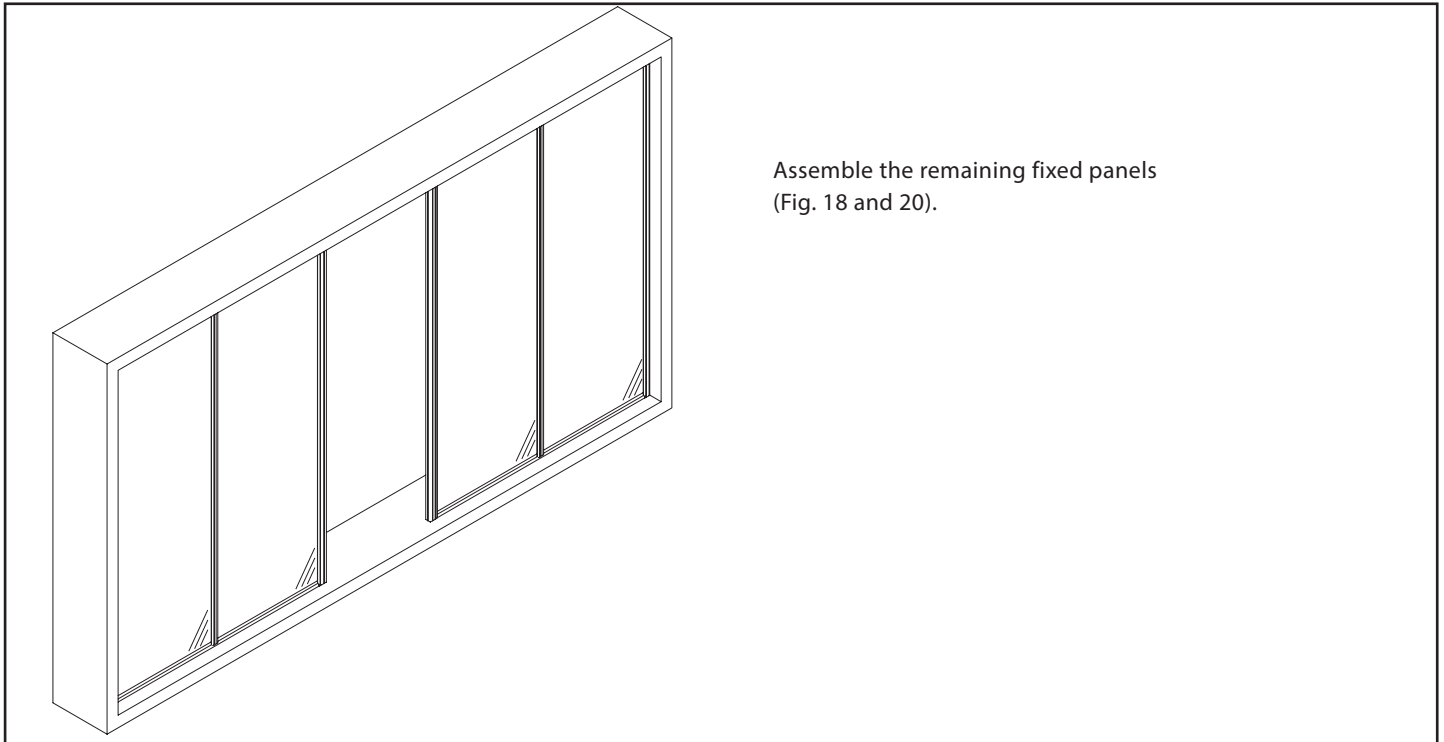
16\_ S1600 Fixed panel system



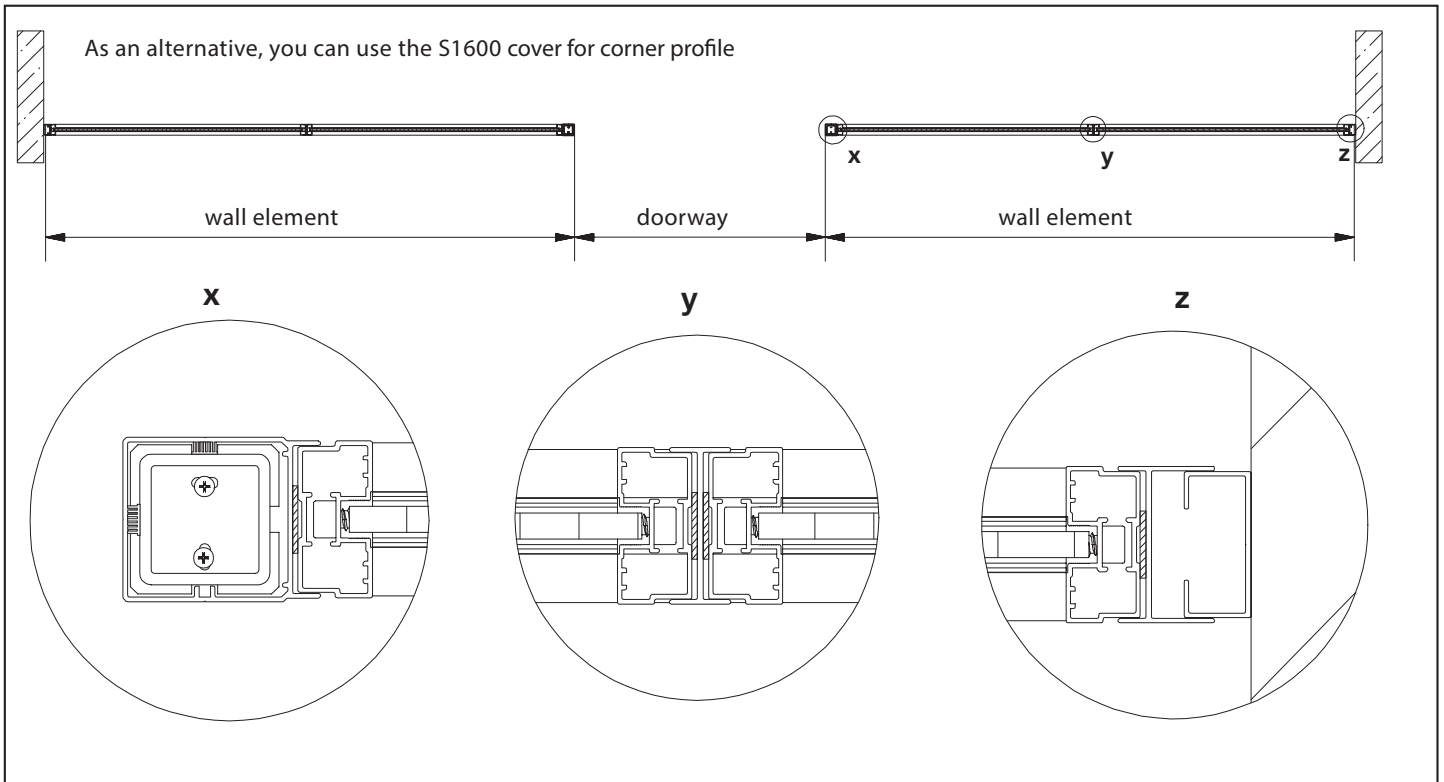
17\_ overview of the wall connections and profile connections

# INSTALLATION INSTRUCTION

## FIXED PANEL WITH SLIDING DOOR



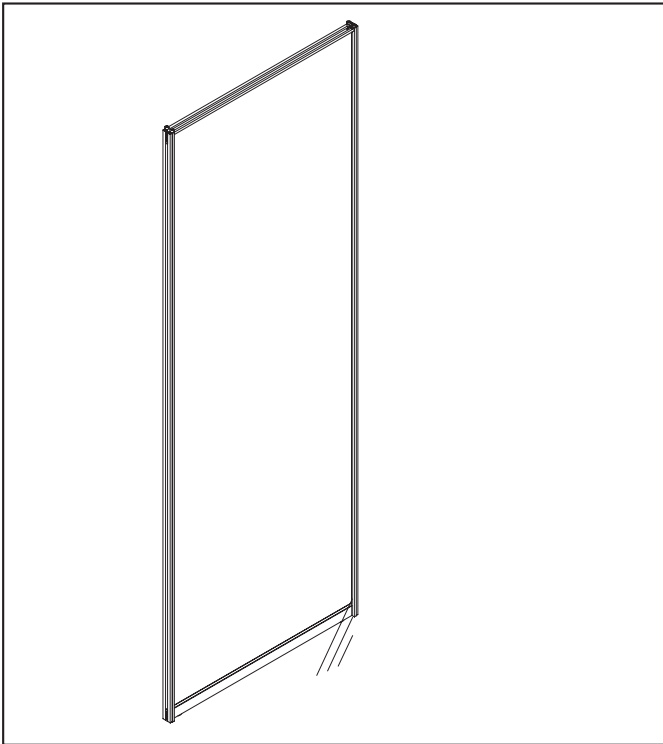
18\_ S1600 Fixed system



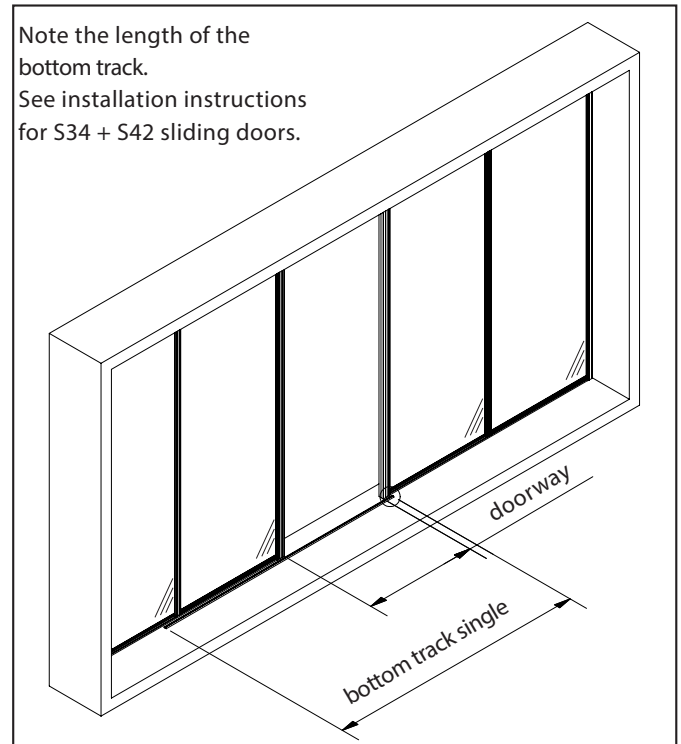
19\_ overview of the wall connection and profile connections

# INSTALLATION INSTRUCTION

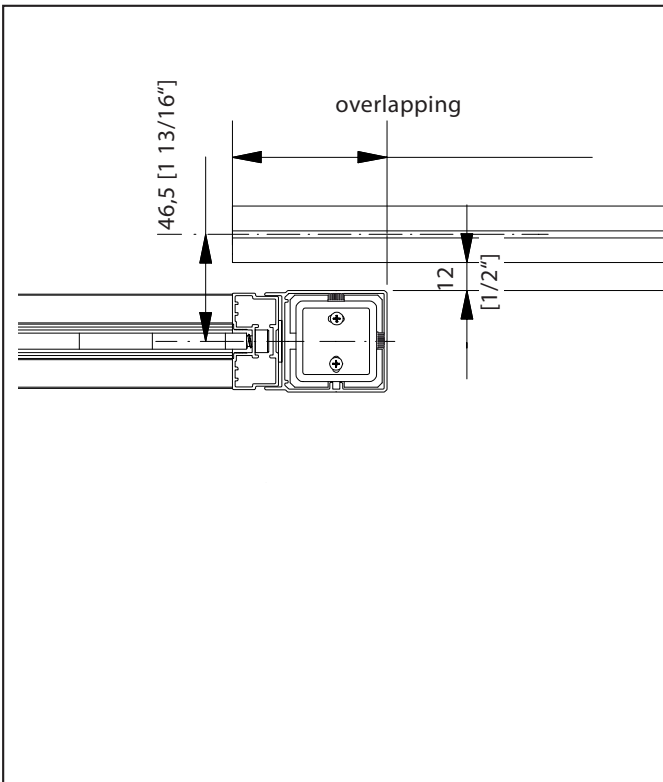
## FIXED PANEL WITH SLIDING DOOR



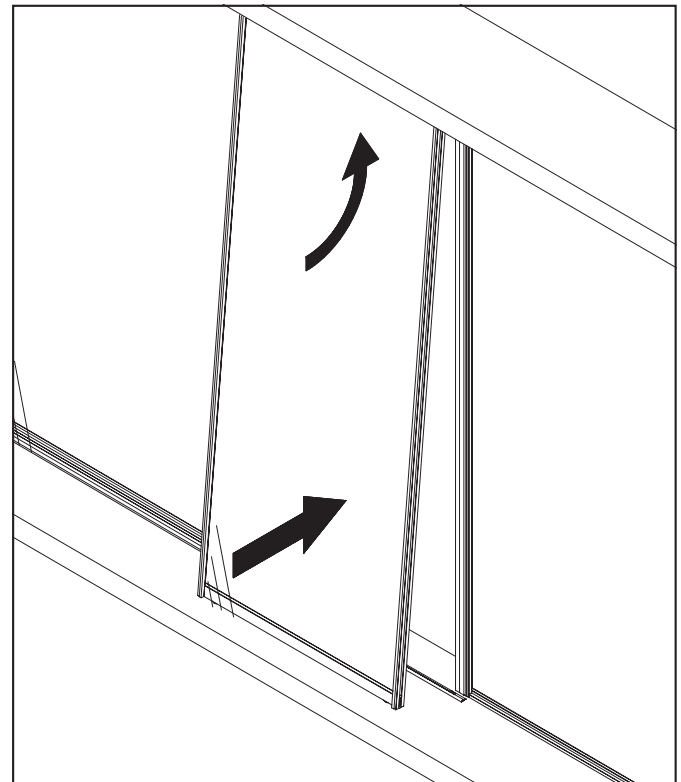
1\_ S42 sliding door



2\_ assembling the bottom track



3\_ position of the bottom track

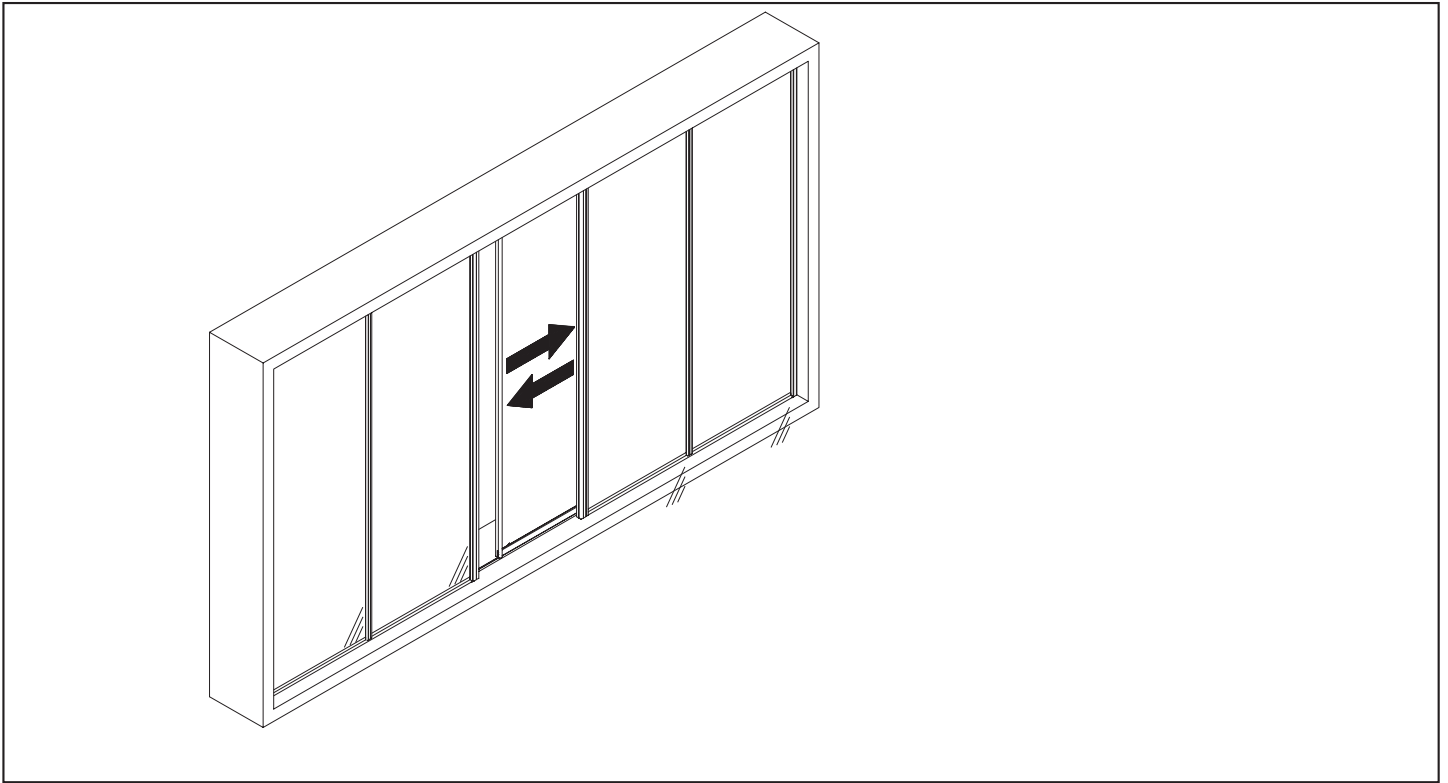


4\_ positioning of the sliding door



# INSTALLATION INSTRUCTION

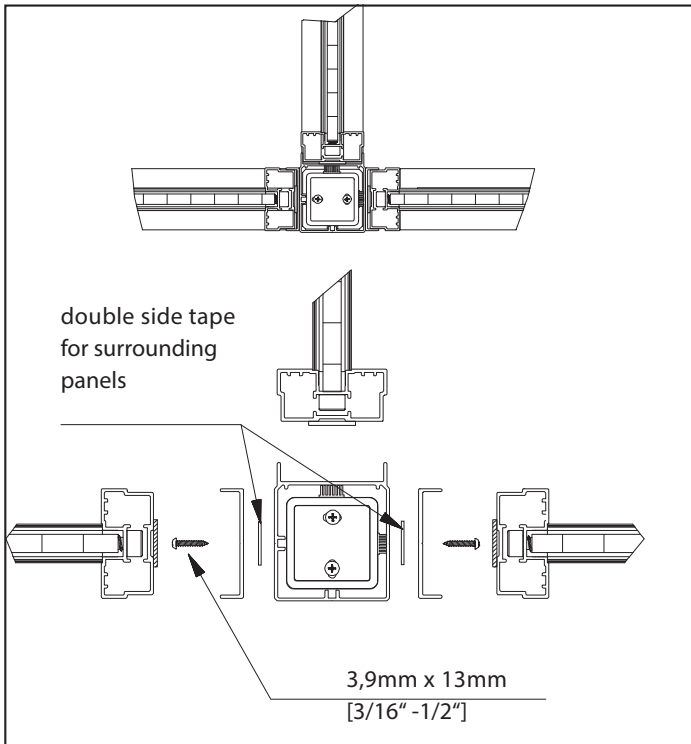
## FIXED PANEL WITH SLIDING DOOR



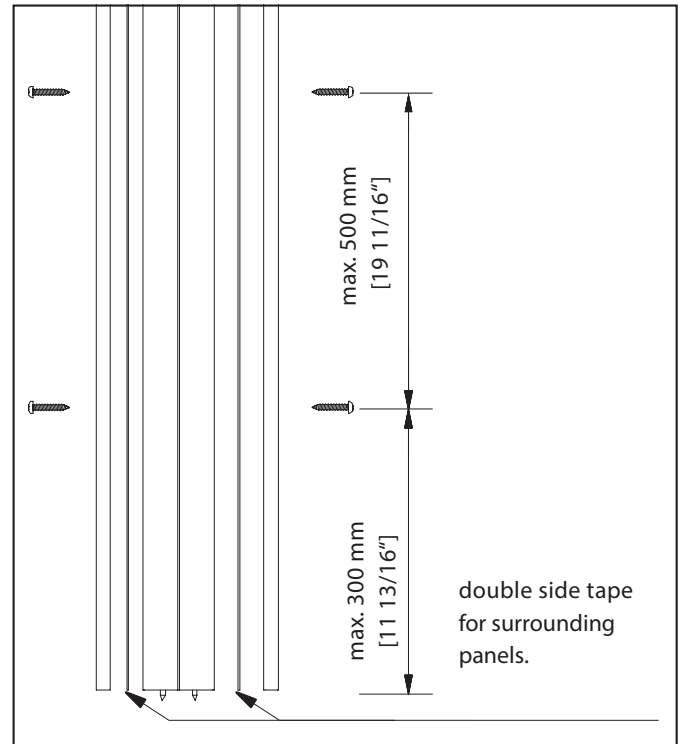
5\_ test the function of the door.

# INSTALLATION INSTRUCTION

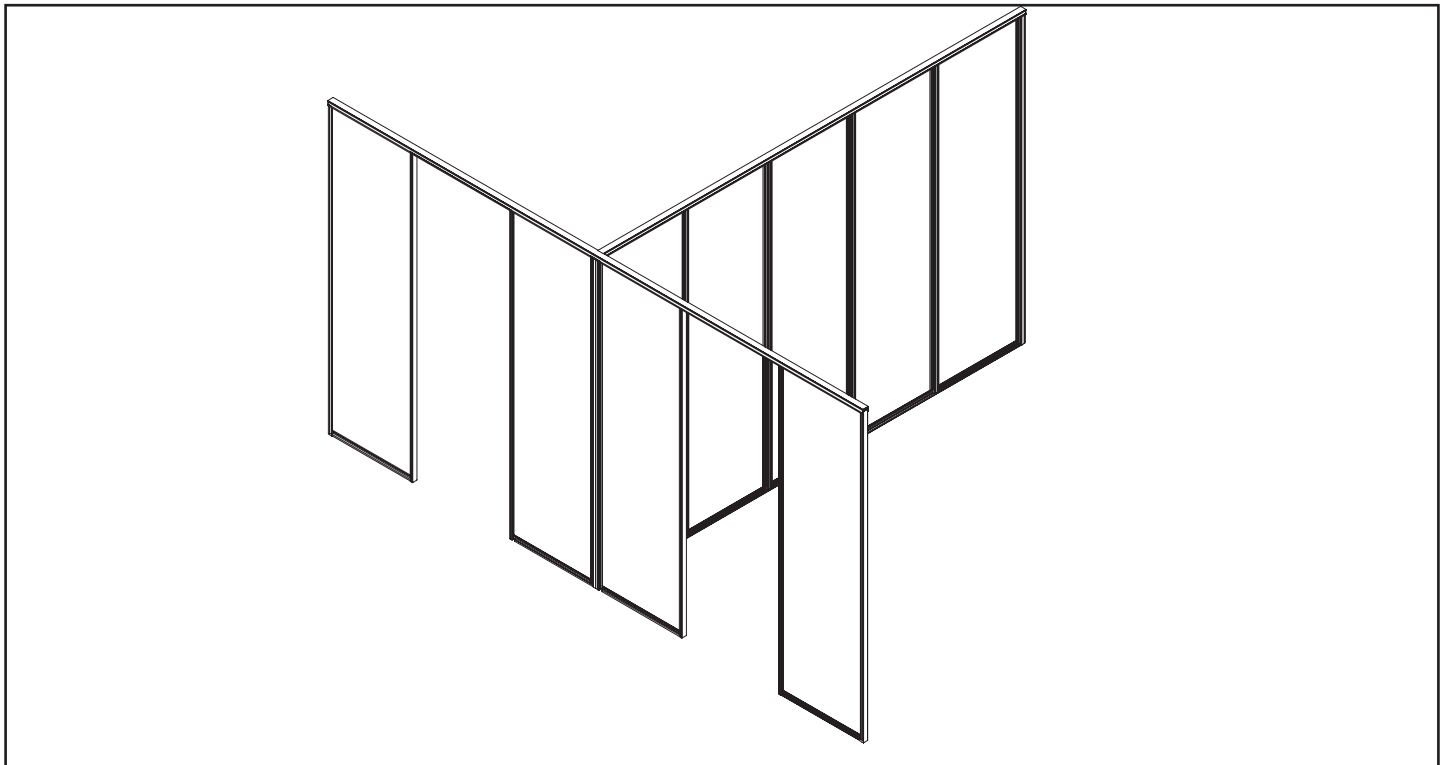
## FIXED PANEL WITH SLIDING DOOR



6\_ assembling / detail drawing



7\_ distance of the screws



8\_ assembling examples