

# SLIDING DOOR SYSTEMS: ASSEMBLY INSTRUCTIONS SOLID DOOR HARDWARE (S42)

V2017.1

# INDEX

## INDEX

General information / tools\_ page 3  
Detail drawing\_ page 4  
Panel calculations\_ page 5  
Technical terms\_ page 6  
Preparation / Assembly\_ pages 7-8  
A\_ Cut door leaf to measure and drill  
B\_ Mount top rollers  
C\_ Mount bottom rail  
D\_ Mount bottom rollers

# GENERAL INFORMATION / TOOLS

## GENERAL INFORMATION

We recommend reading these instructions before starting. Carefully unpack and check all items before beginning assembly. When transporting assembled doors; always lift at corners and lean doors on their side – never stand them upright as this may damage the top roller, and bottom rollers

The "HOW TO ASSEMBLE A SLIDING SOLID DOOR (S42)" describes the process of assembling a S42 bottom rolling system.

You will find detailed descriptions of the assembly steps in the following chapters. It is important that you follow these steps in correct order otherwise your sliding door system could be damaged.

For other instructions, please see:

HOW TO INSTALL A SLIDING DOOR (S42)

ASSEMBLY INSTRUCTIONS\_S42 STOPPER FOR TOP TRACK + END CAP

INSTALLATION INSTRUCTIONS\_S42 WALL-MOUNT END CAPS + L-BRACKET

INSTALLATION INSTRUCTIONS\_S42 TOP AND BOTTOM TRACK CONNECTORS

For additional instructions see website [www.raumplusna.com](http://www.raumplusna.com)

Technical details are subject to change.

### IMPORTANT

It is assumed that you have exactly identified all cutting dimensions according to the measurement instruction for raumplus-products.

max. door weight: 180kg [390 lbs]

minimum panel thickness: 38mm [1 1/2"]

maximum panel thickness: 42mm [1 5/8"]

## TOOLS:

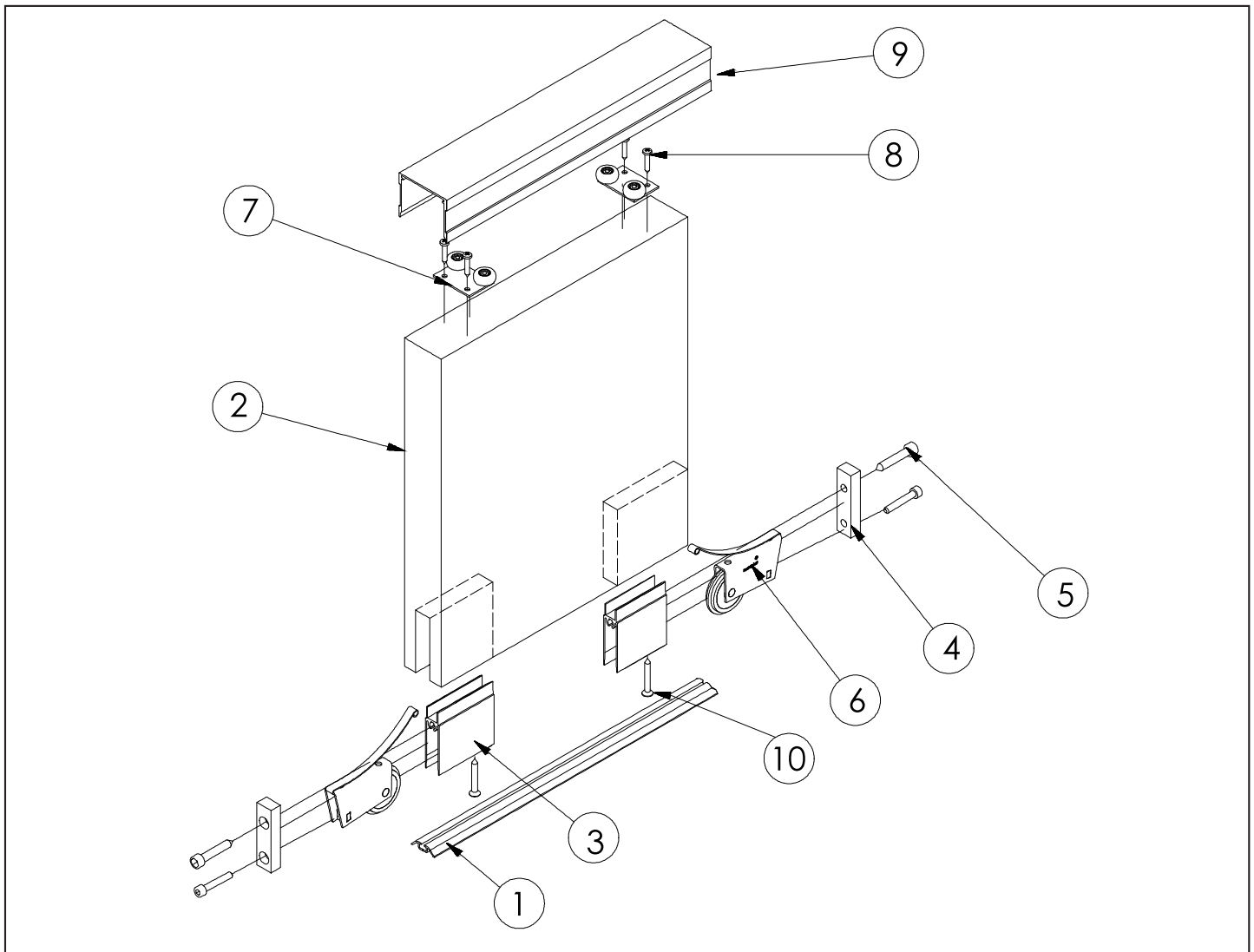
Cross tip screwdriver (Phillips)

Allen wrench

Drill

# DETAIL DRAWING

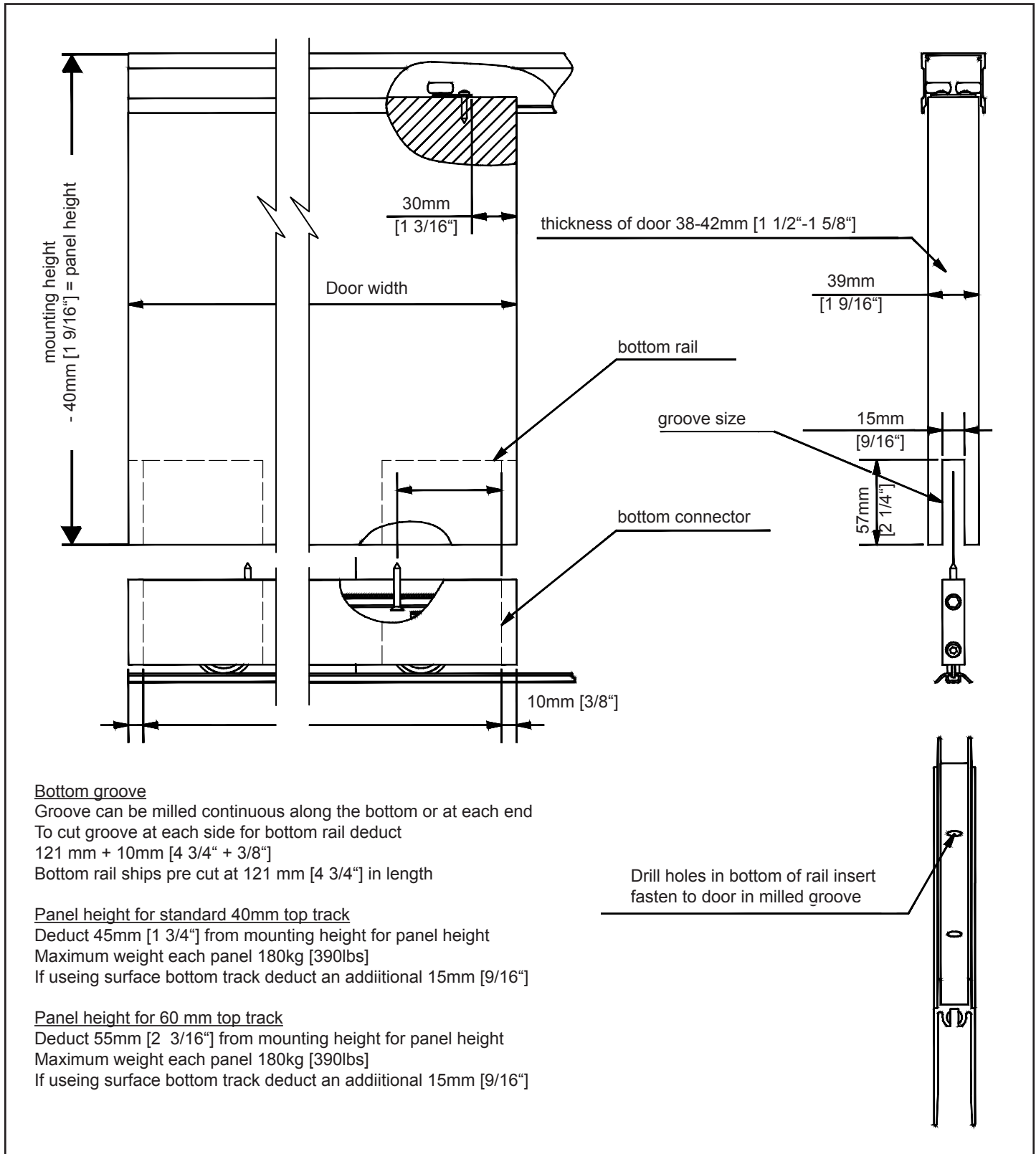
## S42 SOLID DOOR



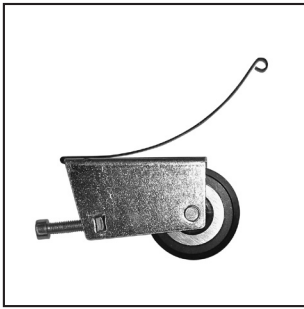
Number	Quantity	Description
1	1 (varries per order)	S42 Bottom track (single surface shown)
2	1 (by others)	Wood panel, not provided
3	1	Bottom rail
4	2	Bottom roller connector
5	2	32mm Frame screw
6	2	Bottom roller
7	2	S42 Top roller
8	4 (by others)	Screw
9	2 (by others)	Screw
10	1	S42 Single top track (single top track shown)
11	2	Positioner (not shown)

# PANEL CALCULATION

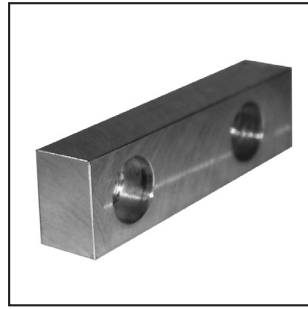
## S42 SOLID DOOR



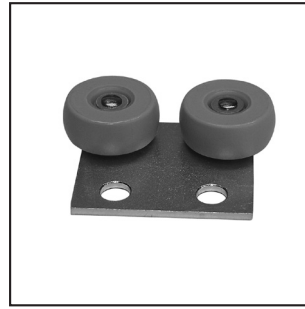
# TECHNICAL TERMS / PREPARATION



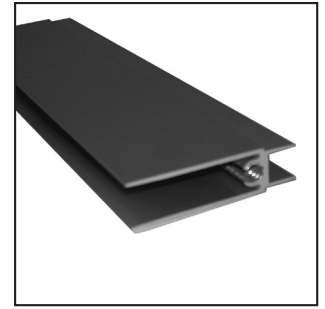
1\_



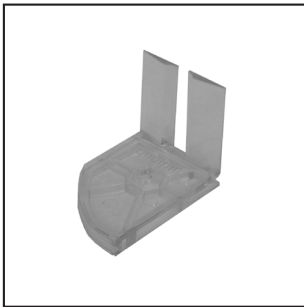
2\_



3\_



4\_

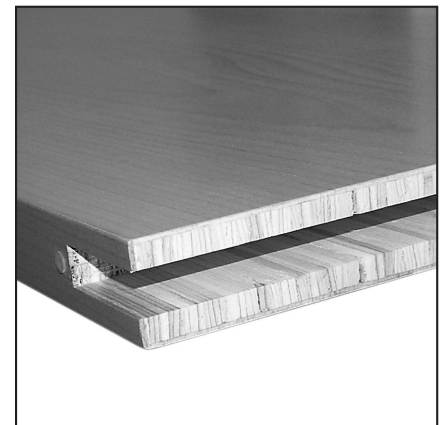
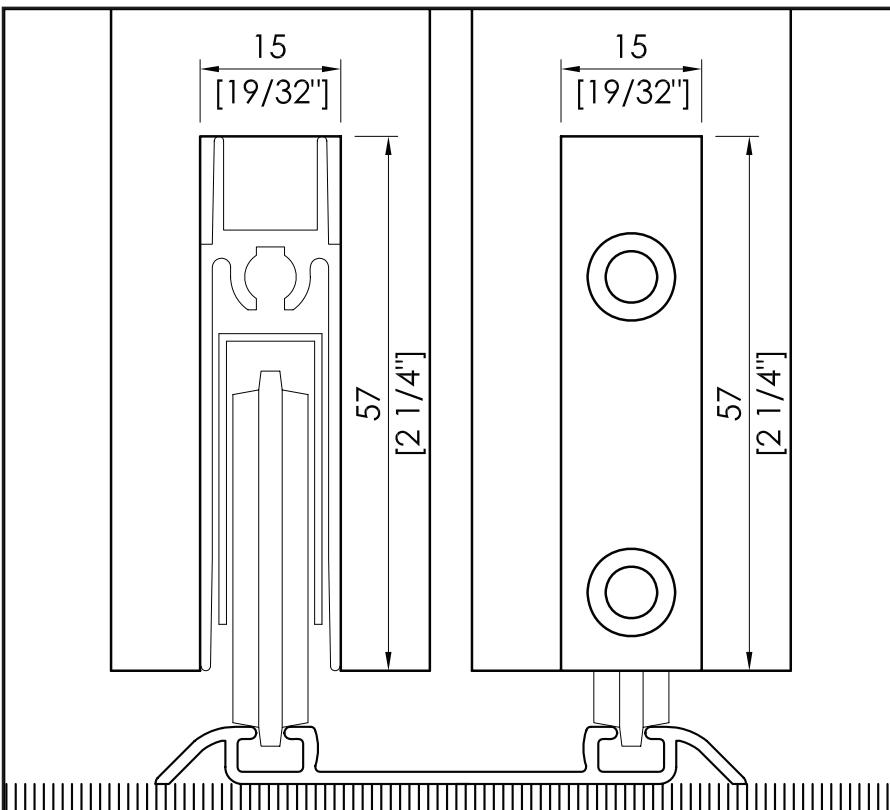


5\_

- 1\_ Bottom roller\_ bottom roller to be inserted into the bottom rail.
- 2\_ Bottom roller connector for solid door\_ holds the rollers within the bottom rail.
- 3\_ Top roller for solid door\_ is to be affixed directly to the panel.
- 4\_ Bottom rail insert\_ bottom rail insert for bottom rollers
- 5\_ Positioner\_ holds door in the open and closed positons.

## ASSEMBLY

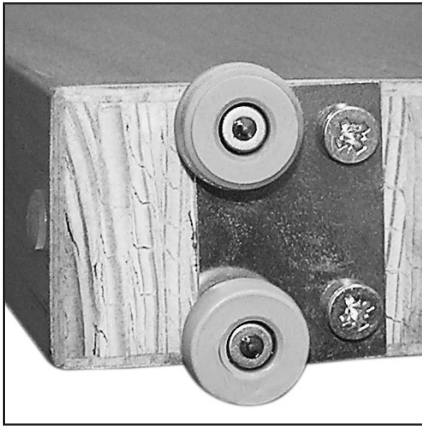
A\_ CUT DOOR LEAF TO MEASURE AND DRILL:



Cut door panel to desired size (see detail drawing on page 9) to determine panel sizes. Mill groove in the bottom of the panel to receive the bottom rail (see detail drawing on page 9)

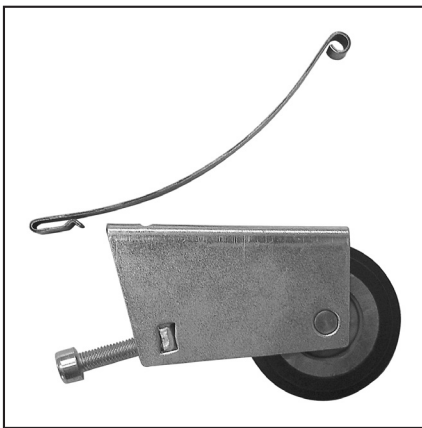
# ASSEMBLY

## B\_ MOUNT TOP ROLLERS:



The top rollers are screwed directly onto the wood door.

## C\_ MOUNT BOTTOM ROLLERS:



1\_



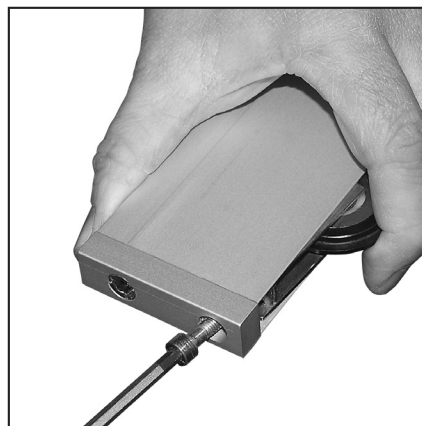
2\_



3\_



4\_



5\_

ATTENTION: Before mounting the bottom roller you have to affix the antijump spring at the roller (Fig.1 and 2).

1\_ Insert the bottom roller into the bottom rail (Fig. 3).

2\_ Screw the roller and the bottom roller connector together (Fig. 4 and 5).

# ASSEMBLY

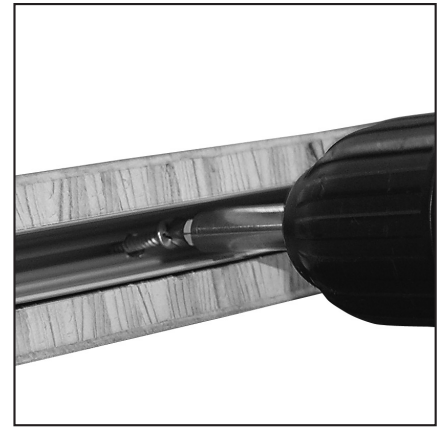
## D\_ MOUNT BOTTOM RAIL:



1\_

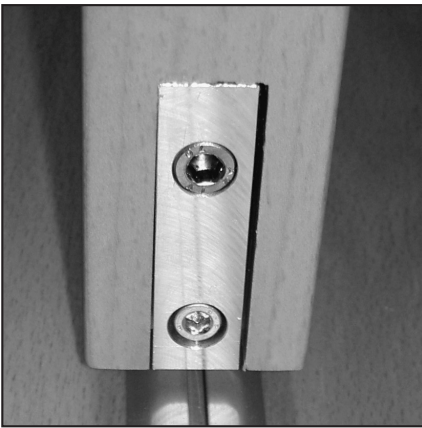


2\_



3\_

The bottom rails are to be inserted in the milled groove and screwed into the panel.



4\_