

# SLIDING DOOR SYSTEMS: ASSEMBLY INSTRUCTIONS HOW TO ASSEMBLE A SLIDING DOOR (S42)

V2017.1

# INDEX

General Information / Tools\_ page 03

Components\_ page 04

Preparation/Assembly\_ page 05 - 07

# GENERAL INFORMATION / TOOLS

## GENERAL INFORMATION

### Preparation:

We recommend reading these instructions before starting.

Carefully unpack and check all items before beginning assembly.

When transporting assembled doors; always lift at corners and lean doors on their side – never stand them upright as this may damage the bottom roller.

The high quality raumplus family of sliding door systems offer a wide range of possibilities. Systems with or without bottom track, ceiling or wall mounted systems, corner solutions, locks, applied and true divided panels.

The "HOW TO ASSEMBLE A SLIDING DOOR (S42)" describes the process of assembling a S42 System bottom rolling door.

For other instructions, please see:

HOW TO INSTALL A SLIDING DOOR (S42)

ASSEMBLY INSTRUCTIONS\_S42 STOPPER FOR TOP TRACK + END CAP

INSTALLATION INSTRUCTIONS\_S42 WALL-MOUNT END CAPS + L-BRACKET

INSTALLATION INSTRUCTIONS\_S42 TOP AND BOTTOM TRACK CONNECTORS

INSTALLATION INSTRUCTIONS\_TRUE DIVIDING RAIL

For additional S42 instructions see website [www.raumplusna.com](http://www.raumplusna.com)

Technical details are subject to change

### INFORMATION:

It is assumed that you have exactly identified all cutting dimensions according to the measurement instruction for raumplus-products.

max. door weight: 180kg [390 lbs]

## TOOLS:

cross tip screwdriver (Phillips)

straightedge (optional)

allen wrench 4mm

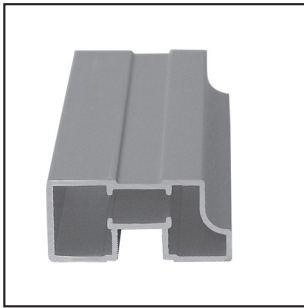
allen wrench 5mm

drill; 2.5mm, 6.5mm, 10mm drill bits

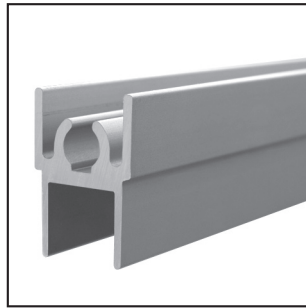
pencil and / or masking tape

white rubber mallet

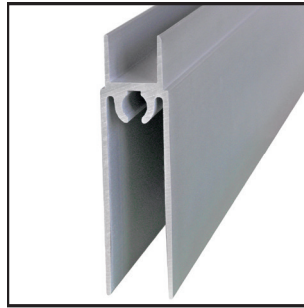
# COMPONENTS\_S42



1\_



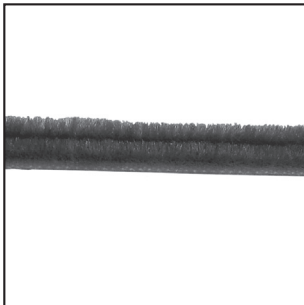
2\_



3\_



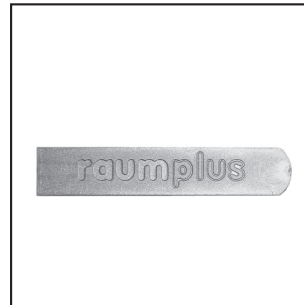
4\_



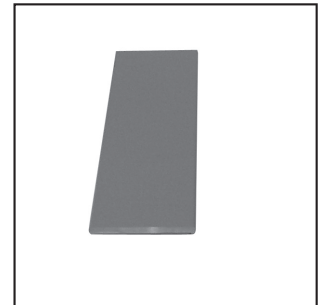
5\_



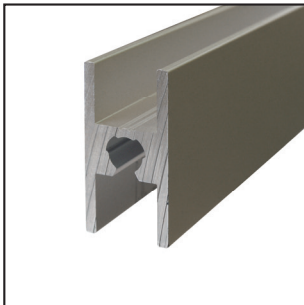
6\_



7\_



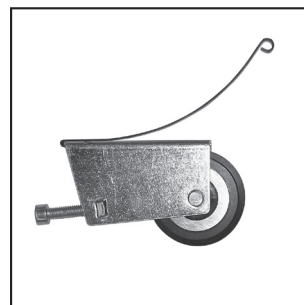
8\_



9\_



10\_



11\_



12\_

1\_ Stile (vertical profile)\_ forms the vertical frame of the sliding door together with the top and bottom rails.

2\_ Top rail\_ forms the horizontal frame of the sliding door together with the vertical profiles and bottom rail.

3\_ Bottom rail\_ forms the horizontal frame of the sliding door together with vertical profiles and top rail.

4\_ Frame Screw\_ for connecting the stile to the top and bottom rail

5\_ Brush gasket\_ provides dust seal between wall and door. Available in grey (may substitute with grey rubber, upon request).

6\_ Clip for brush gasket\_ keeps the ends of the brush in place.

7\_ Plug\_ Covers the holes drilled for the frame screw.

8\_ Applied divider\_ available single or double sided. Can be arranged horizontally or vertically.

9\_ True divider\_ allows for the application of more than one panel in a door.

10\_ Top roller\_ fits into the top track and guides the door

11\_ Standard Bottom Roller\_ attaches to bottom rail and guides door in bottom track.

12\_ Security rollers\_ I locks door in track. You can only remove doors from the bottom track by carefully leveraging them out with a screwdriver Pay attention when using security rollers that the locking element is not twisted up outside the track when installed.

The details shown are to be understood as examples; a wide range of variations with similar designs are available.

# PREPERATION / ASSEMBLY\_S42

## PREPARATION:

After having unpacked and checked all items you can start your assembly work. We recommend reading these instructions carefully before starting.

When setting the doors temporarily aside, lean the assembled doors on their side– NEVER stand them straight up on the bottom rails. This may damage the bottom rollers!

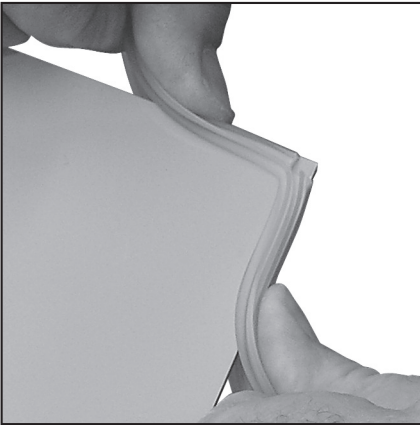
## ASSEMBLY:

You will find detailed descriptions of the assembly steps in the following chapters. It is important that you follow these steps in correct order otherwise your sliding door system could be damaged.

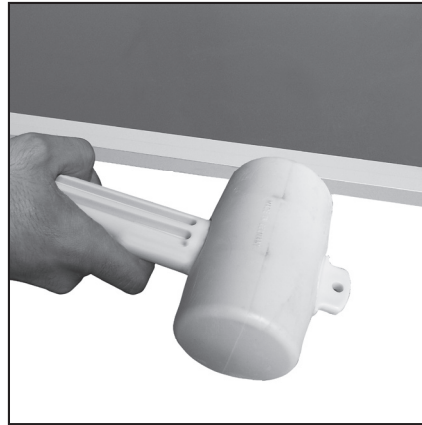
### A\_ CUT PANEL / MOUNT IT:

Note: If using true dividing rails (which physically divide the panel). Check cut sheets for panel dimensions.

### B\_ AFFIX FRAME AROUND THE PANEL:



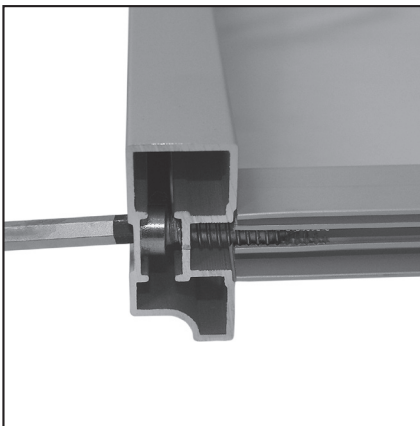
1\_



2\_



3\_



4\_

1\_ Lay the panel on a table.

2\_ Stretch the panel gasket around the glass/mirror. Start in the center of the top edge of the panel. For the corner, cut an approx. 2mm [1/16"] deep notch into the back of the gasket and stretch the gasket over the corner (fig. 1). If using panels 10mm [3/8"] no panel gasket is required.

3\_ Put the top rail over the panel and attach it by carefully tapping it with a rubber mallet (fig. 2).

4\_ Attach the bottom rail.

5\_ Press the stiles (vertical frame profiles) onto the panel, screw them together with top / bottom rails (fig. 4).

6\_ Check the corner for squareness

7\_ Check that stiles are straight.

Note: For doors wider than 4'-0" a reinforcement plate will be included with your frame kit. To assemble the door with a reinforcement plate insert the reinforcement plate on the inner wall of the bottom of the stile (bottom of the door). Align the reinforcement plate with frame screw and insert frame screw through the plate before attaching the bottom roller. Tighten the frame screw. (fig. 3 )

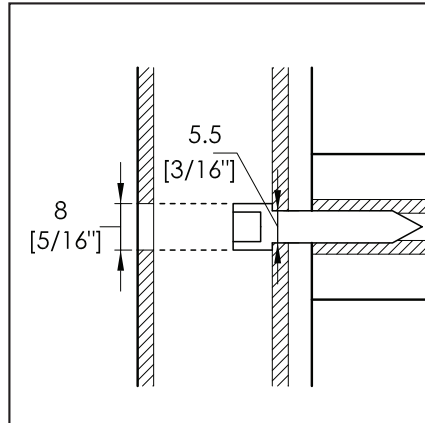
# ASSEMBLY\_S42

## C\_ IF APPLICABLE - DIVIDING RAILS:

NOTE: Frame kits do not ship pre-drilled. See True dividing rail instructions for drilling instructions.



1\_



2\_



3\_

1\_ As shown in the above example (fig. 1), put profiles, panels and dividing rails together, but do not fasten yet.

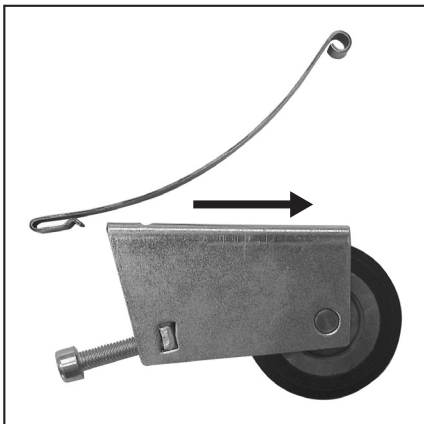
2\_ Mark the position for the drill holes with a pencil.

3\_ Drill with a 5.5mm drill bit and then with a 8mm drill bit to enlarge the outside hole only (fig. 2 ).

4\_ Now screw together.

5\_ Cover drill holes with plugs (dig. 3)

## D\_ ATTACH ROLLERS:



1\_



2\_

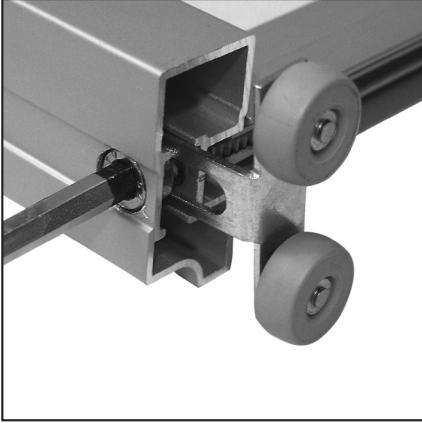


3\_

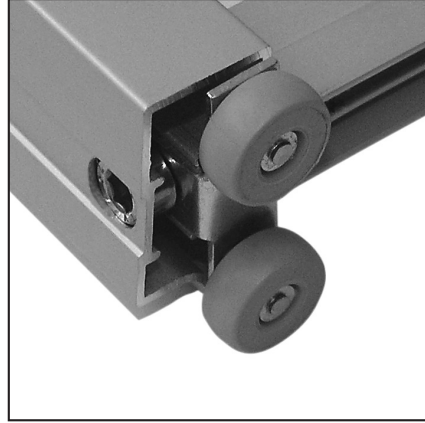
### Bottom rollers:

Before you install the bottom roller, attach the anti-jump spring to the roller (fig. 1 and 2). Push the bottom roller into the bottom rail and fasten it in through the vertical profile (fig. 3).

# ASSEMBLY\_S42



4\_



5\_

## Top rollers:

1\_ Top rollers are fastened with the vertical profiles.

2\_ Tighten top frame screw completely in order to cut the screw thread, then unscrew a bit so that the top rollers can be inserted. Push the top roller into the top of the vertical profile and tighten the screw (fig. 4 and 5).

3\_ Do not over-tighten or you could damage the top roller