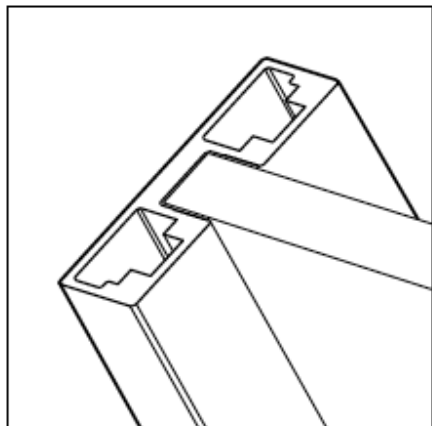


SLIDING DOOR SYSTEM_ S42 SERIES S1200

TECHNICAL BOOK



System description

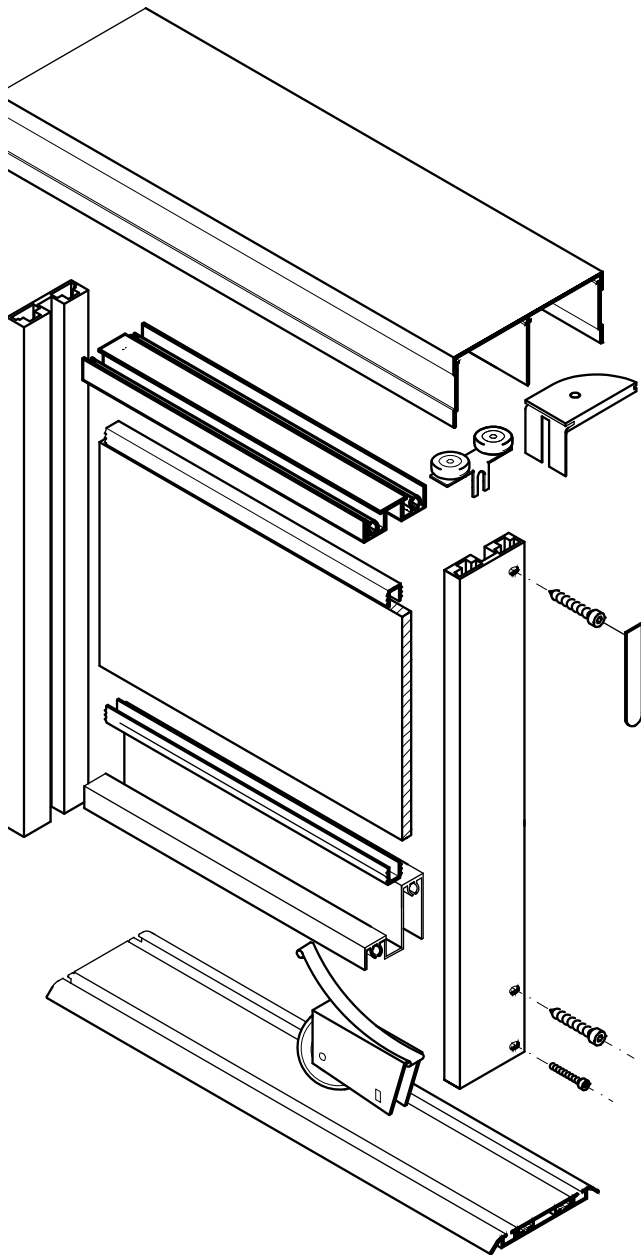
Accessories

SYSTEM DESCRIPTION_ S42 SERIES S1200

SLIDING DOOR SYSTEM

SLIDING DOOR SYSTEM_ S42 SERIES S1200

- 1.0_ System description, Sliding panel_ page 03
- 2.0_ Profiles_ page 04
- 3.0_ System description, fixed panel_ page 05
- 4.0_ Profile, fixed_ page 06
- 5.0_ Accessories, fixed_ page 08
- 6.0_ Detail, fixed_ page 07
- 7.0_ Diagram, fixed_ page 08
- 8.0_ Profile finish_ page 09
- 9.0_ Panel_ page 10
- 10_ Top tracks_ page 12
- 11_ Bottom tracks_ page 15
- 12_ Accessories_ page 19



1.1_ Overview

The key features of our made-to-measure system are versatility in customization and quality of our hardware allowing for individual solutions and unparalleled operation. The S1200 S42 system is ideal for applications in commercial and residential environments.

Doors can be ordered fully assembled with our standard panel materials or as frame kits to accommodate a panel material of your choosing. Assembly of doors with customer's own materials (COM) is available; please contact Raumplus for more information.

1.2_ Fully assembled fixed panel

Made-to-measure per specifications with the following design parameters:

- _ Maximum height 3048mm [10'-0"]
- _ Maximum width 1829mm [6'- 0"]
- _ Maximum weight 180kg [390lbs]
- _ Standard finish: Clear anodized aluminum (silver)
- _ Top / bottom tracks shipped 50mm [2"] over-length for trimming on-site
- * Panel sizes limitations, per panel material selection

System components (quantity per panel):

Top Track

- _ Top track (varies by order)
- _ Positioning for top track (2)

Door

- _ Top roller (2)
- _ Top rail (1)
- _ Stile (2)
- _ Frame screw (4)
- _ Plug / cover (4)
- _ Brush gasket (1 stile only)
- _ Panel (varies by order)
- _ Panel gasket (all sides of panel)
- _ Bottom rail (1)
- _ Height adjustment screw (2)
- _ Bottom roller (2)

Bottom track

- _ Bottom track (varies by order)
- _ Inset cover (for double or triple tracks only)
- _ Reinforcement plate * not shown

1.3_ Frame kit

Frame kits are made-to-measure per specifications and ready for assembly using customer's own panel material. In addition to the design parameters listed for fully assembled panels, please consider the following:

Maximum height 3048mm [10'-0"]

Maximum width 1829 [6'-0"]

- _ Minimum panel thickness 4mm [5/32"]
- _ Maximum glass thickness 8mm [5/16"]
- _ Maximum solid panel thickness 10mm [3/8"]

Appropriate panel gasket to be specified when ordering:

- _ 4mm [5/32"], 5mm [3/16"], 6mm [1/4"], 7mm [9/32"], 8mm [5/16"]

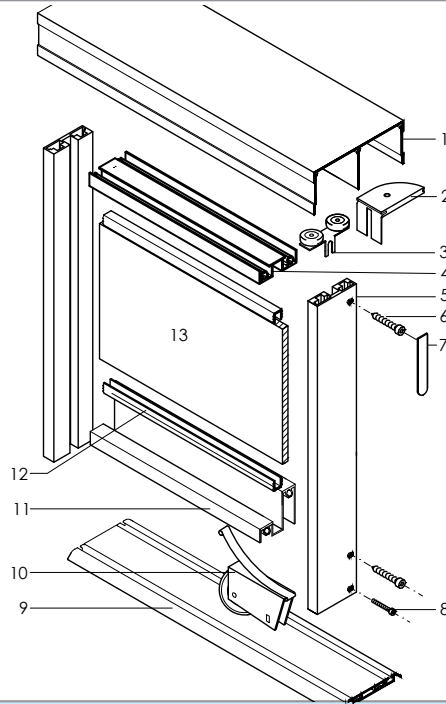
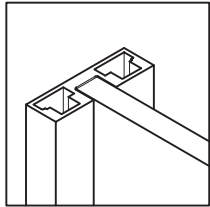
Gasket not required for solid 10mm [3/8"] material

SYSTEM DESCRIPTION_ S42 SERIES S1200

SLIDING DOOR SYSTEM

2_ Profiles

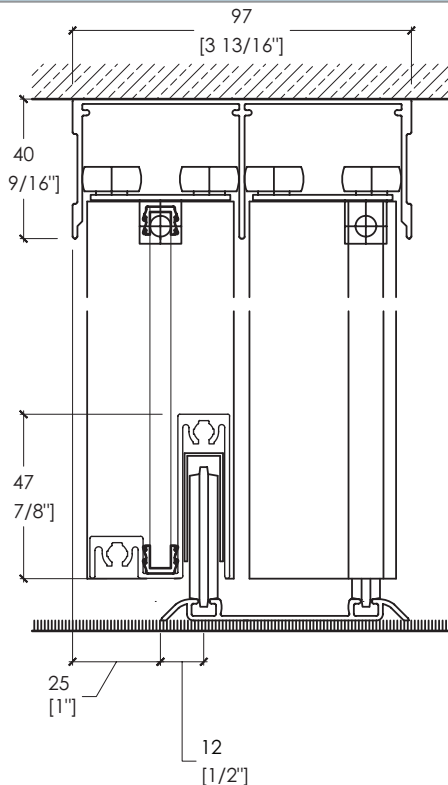
2.1_ S1200 Isometric view



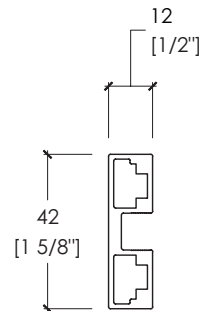
Each sliding door is composed of the following:

- Top track
- 1_ Top track (varies by order)
- 2_ Positioning for top track (2)
- Door
- 3_ Top roller (2)
- 4_ Top rail (1)
- 5_ Stile (2)
- 6_ Frame screw (4)
- 7_ Plug / cover (4)
- 8_ Height adjustment screw (2)
- 9_ Bottom track (varies by order)
- 10_ Bottom roller (2)
- 11_ Bottom rail (1)
- 12_ Panel gasket (1)
- 13_ Panel (varies)

S1200 Section and stile detail



S1200



S1200 Stile

Finish

Standard: Clear anodized aluminum (silver)/Matt black / Dark Bronze (limited quantities)

Application

Residential / commercial projects

Room dividers or passage doors

* Doors do not have ability to telescope when used in multiples

Dimensions

Max size 1829mm x 3048mm [6' x 10']

Max weight 180kg [390lbs]

Panel thickness 4mm [3/16\"] to 10mm [3/8\"] *10mm no gasket

* Door sizes limitations, per panel material selection

3.1_ Overview

The key features of our made-to-measure system are versatility in customization and quality of our hardware allowing for individual solutions and unparalleled operation. The S1200 Fixed panel is an ideal application for commercial and residential.

Fixed panels can be ordered fully assembled with our standard panel materials or as frame kits to accommodate a panel material of your choosing. Assembly of doors with customer's own materials (COM) is available; please contact Raumplus for more information.

3.2_ Fully assembled door

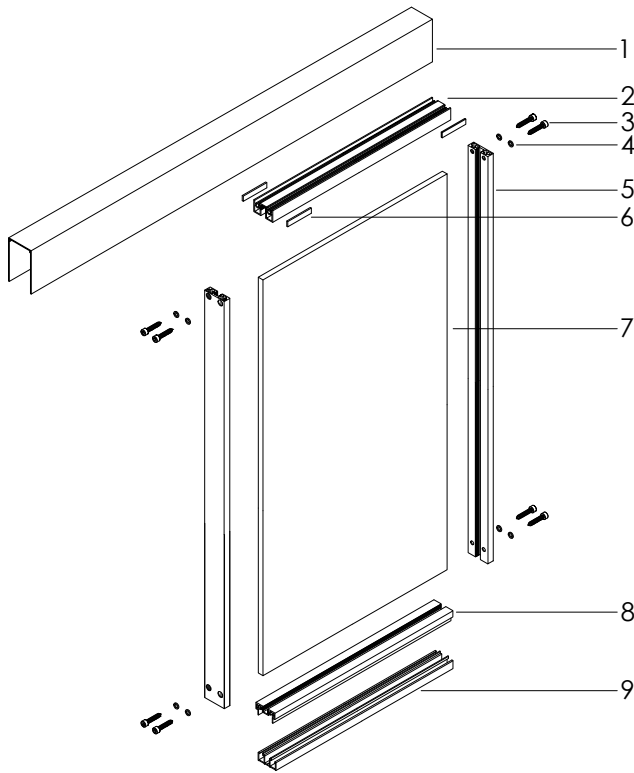
Made-to-measure per specifications with the following design parameters:

- _ Maximum height 3048mm [10'-0"]
- _ Maximum width 1829mm [6'-0"]
- _ Maximum weight 180kg [390lbs]
- _ Standard finish: Clear anodized aluminum (silver)
- _ Top / bottom tracks shipped 50mm [2"] over-length for trimming on-site

*Panel sizes limitations, per panel material selection

System components (quantity per panel):

- 1_Top Track (flat shown)
 - 2_ S1200 Top rail
 - 3_ Frame screw
 - 4_ Washer
 - 5_ S1200 Stile
 - 6_ Fuzzy gasket
 - 7_ Panel (varies by order)
 - 8_ S1200 Bottom rail
 - 9_ S1200 Ground connection
- Not shown: Panel gasket



3.3_ Frame kit

Frame kits are made-to-measure per specifications and ready for assembly using customer's own panel material. In addition to the design parameters listed for fully assembled doors, please consider the following:

Maximum height 3048mm [10'-0"]

Maximum width 1829 [6'-0"]

_ Minimum panel thickness 4mm [5/32"]

_ Maximum glass thickness 8mm [5/16"]

_ Maximum solid panel thickness 10mm [3/8"]

Appropriate panel gasket to be specified when ordering:

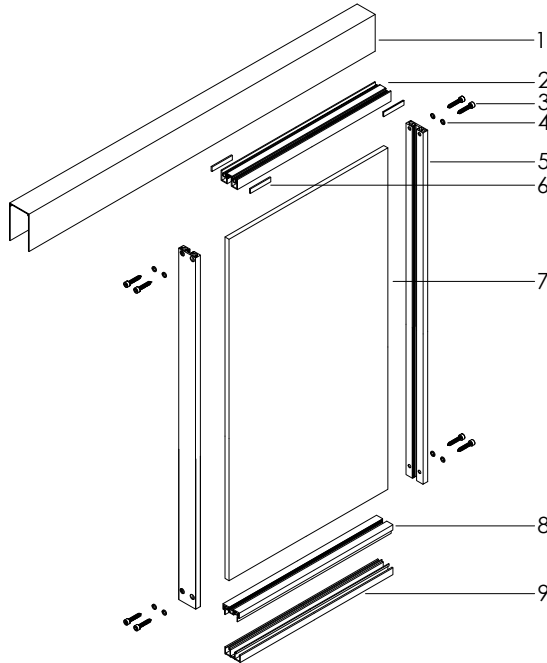
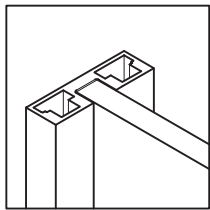
_ 4mm [5/32"], 5mm [3/16"], 6mm [1/4"], 7mm [9/32"], 8mm [5/16"]

Gasket not required for solid 10mm [3/8"] material

SYSTEM DESCRIPTION_ S42 SERIES S1200 FIXED FIXED PANEL SYSTEM

4_ Profiles

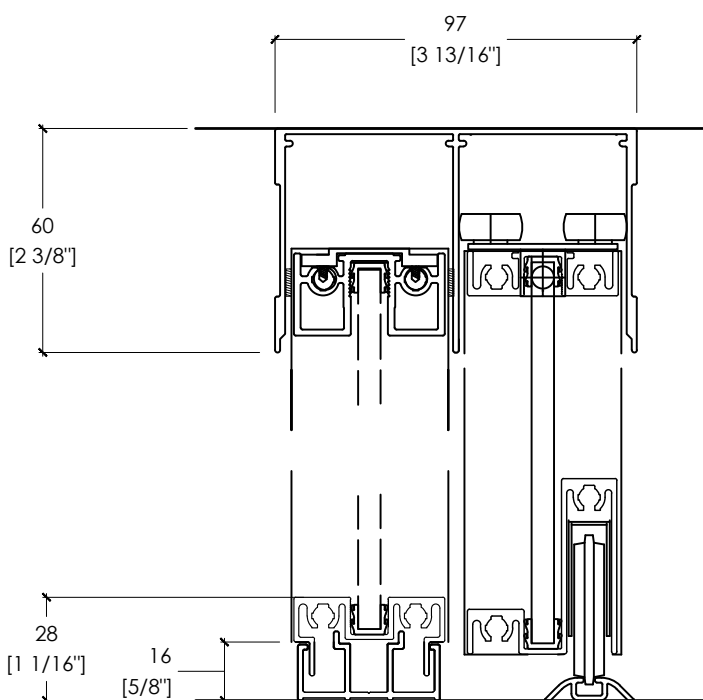
4.1_ S1200 Isometric view



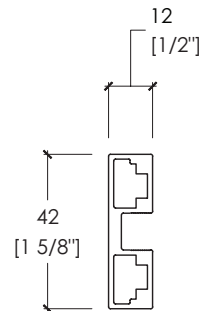
Each fixed panel is composed of the following:

- 1_ Top Track (flat shown)
 - 2_ S1200 Top rail
 - 3_ Frame screw
 - 4_ Washer
 - 5_ S1200 Stile
 - 6_ Fuzzy gasket
 - 7_ Panel (varies by order)
 - 8_ S1200 Bottom rail
 - 9_ S1200 Ground connection
- Not shown: Panel gasket

S1200 Section and stile detail



Profile S1200



S1200 Stile

Finish

Standard: Clear anodized aluminum (silver)/Matt black / Dark Bronze (limited quantities)

Application

Residential / commercial projects

Dimensions

Max size 1829mm x 3048mm [6' x 10']

Max weight 180kg [390lbs]

Panel thickness 4mm [3/16"] to 10mm [3/8"], 10mm without gasket

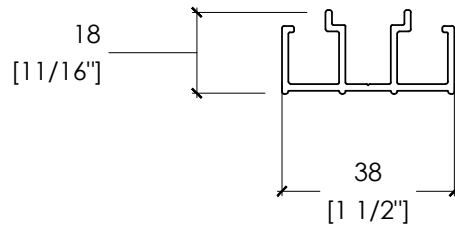
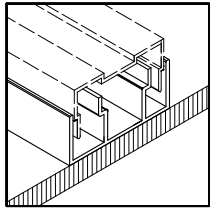
*Use fuzzy gasket where the panel meets wall.

*Best used as single panel with single sliding door. Not recommended for larger spans. See S42 S1600 fixed panel for multiple panels.

*See Diagrams for recessing top track

5_ Accessories, Fixed

5.1_ S42 Ground connection profile



12.30.020 - Standard, silver
12.30.030 - Dark bronze
12.30.065 - Mat black

Ground connection profile

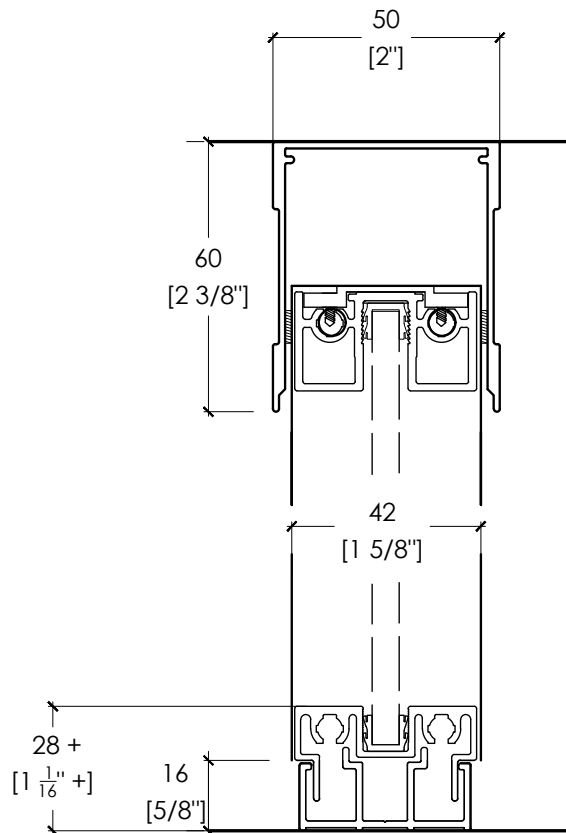
Finish
Standard, Dark bronze, Mat black

Description
Adjustable base for S1200 fixed panel.

See diagram detail 6.1

6_Detail

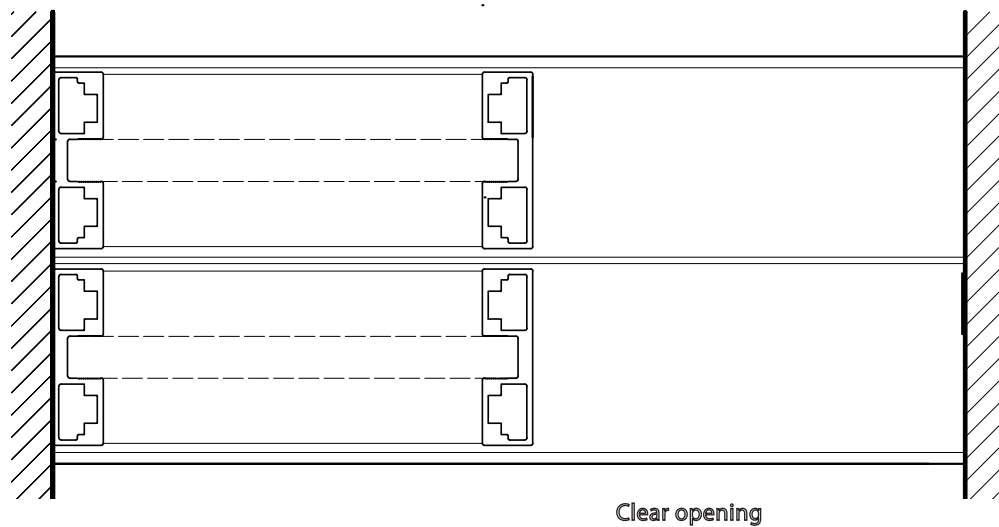
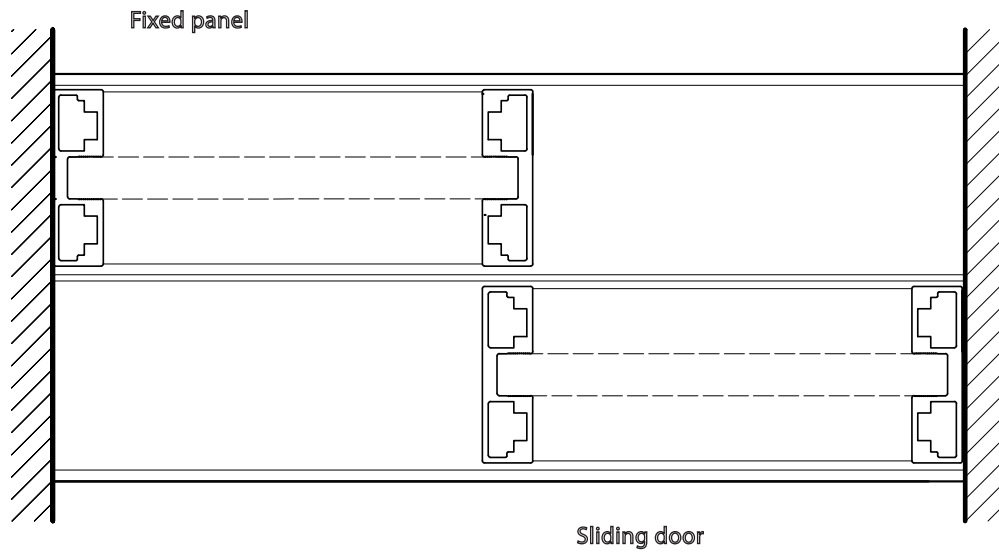
6.1_ Detail ground connection



Description:
Ground plate connection allows the S1200 AIR panel to be fixed, using the ground connection plate. Ground connection plate is affixed to the floor with screws (not provided). S1200 fixed panel can be adjusted up or leveled with with shims placed between the bottom rail and the ground connection plate.

7_Diagram / 1200 Fixed

7.1 S1200 fixed and sliding door



7.2_ 1200 Fixed panel and S42 sliding door alignment notes:

Single fixed panels only. Not suitable for multiple panels, see S1600 panels if longer runs are needed. Use fuzzy gasket where panel meets the wall.

8_ Profile finishes

8.1_ Standard finish _ Clear anodized aluminum (silver)

A factory applied finish, anodizing increases wear resistance and gives the surface a smooth matte aluminum appearance. Color for representation purposes only.

Powder coat finish applied

				
Silver Standard finish Clear anodized (silver)	Black Powder coat Mat finish	Dark Bronze Anodized Limited availability		

SYSTEM DESCRIPTION_ S42

SLIDING DOOR SYSTEM

System description_S42_ S1200

Sliding door system

9_ Panels

9.1_ MDF

Medium density fiberboard (MDF) is an engineered wood product made of wood fibers, wax and resin. MDF is an ideal surface for painting, application of direct glue wall-covering, or a base for upholstered panels. Maximum size 1219mm x 2438mm [4'-0" x 8'-0"]. Colors for representation purposes only.




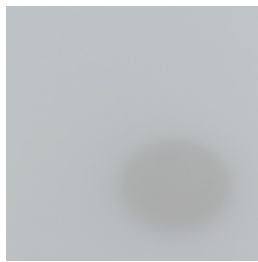




MDF
10mm [1/4"]

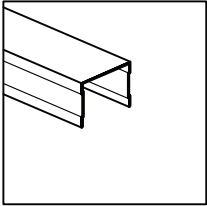
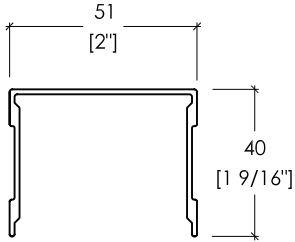
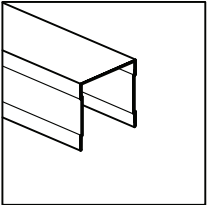
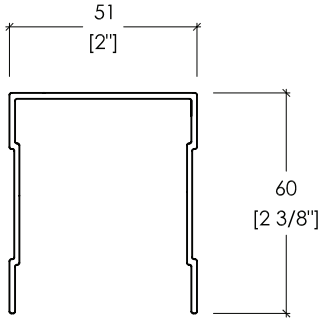
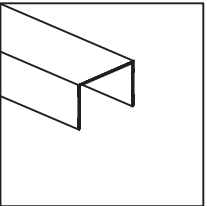
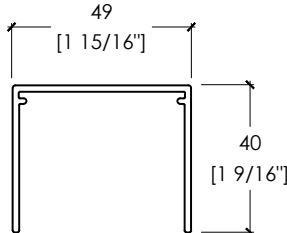
9.2_ Magnetic marker board

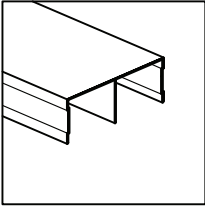
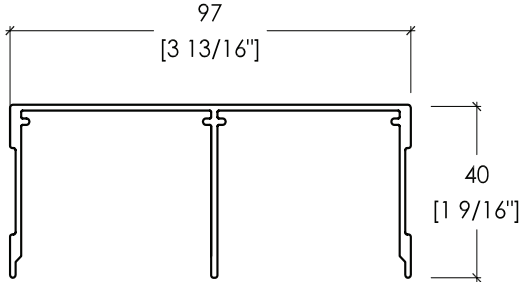
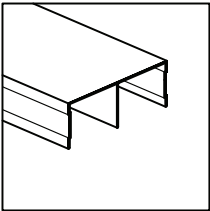
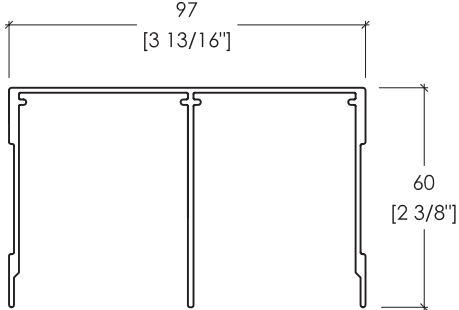
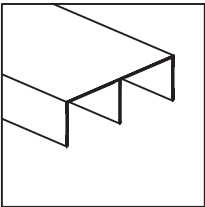
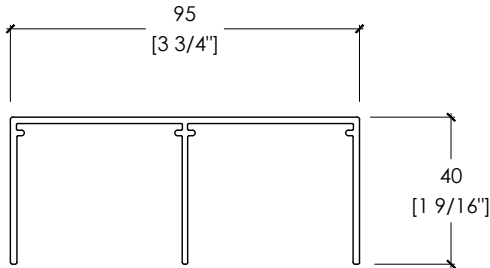
Porcelain enamel coated magnetic marker board is a white dry erase board. Maximum size 1219mm x 2438mm [4'-0" x 8'-0"]. Available as single or double sided. Colors for representation purposes only.



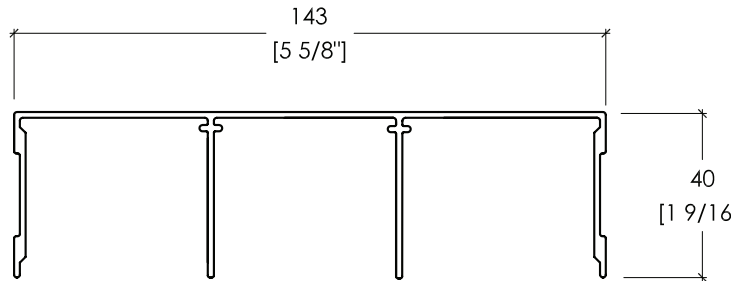
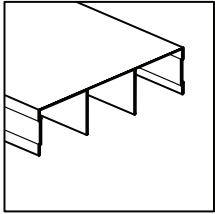
6mm [1/4"]

9.3_ Laminated glass				
Laminated glass, often referred to as "safety glass", is strong and durable and designed to maintain its integrity in the event of breakage. Maximum size 1829mm x 3048mm [6' x 10']. Polar white maximum size: 1524 x2743 [5'x9'] May contain glass manufacturer safety mark				
				
Clear 6mm [1/4"]	Diffused white 6mm [1/4"]	Polar White 6mm [1/4"]		
9.4_ Tempered glass				
Tempered glass is manufactured to exact size and is stronger than regular glass. If broken the glass shatters into small fragments instead of sharp shards. Maximum size 1524mm x 2438mm [5'-0" x 8'-0"]. Colors for representation purposes only. May contain glass manufacturer safety mark				
				
Clear 6mm [1/4"]	Satin etched 6mm [1/4"]			
9.5_ Mirrored glass				
Silver mirror backed with a safety film. Single-sided mirror only, best used for closets. Maximum size 1219mm x 3048mm [4'-0" x 8'-0"]. Colors for representation purposes only.				
				
Mirror 5mm [3/16"]				

10_ Top tracks	
10.1_ S42 Single top track	
 	<p>14.15.020</p> <p>S42 Single top track</p> <p>Finish Standard</p> <p>Description Ceiling- or wall-mounted (add wall-mounted bracket and wall-mounted end caps) Max length 4877mm [16'-0"]</p>
10.2_ S42 Single top track, 60mm	
 	<p>14.65.020 - silver 14.65.050 - dark bronze</p> <p>S42 Single top track, 60mm</p> <p>Finish Standard, Bronze</p> <p>Description Ceiling- or wall-mounted (add wall-mounted bracket) Max length 4877mm [16'-0"] Use when extra adjustability is needed or with soft close brake. *No end cap available</p>
10.3_ S42 Single top track, flat	
 	<p>12.15.065</p> <p>S42 Single top track, flat</p> <p>Finish Mat black</p> <p>Description Ceiling-mounted only Max length 4877mm [16'-0"]</p>

10.4_ S42 Double top track	
 	14.05.020
	S42 Double top track
	Finish Standard
	Description Ceiling-mounted only Max length 4877mm [16'-0"] Use when extra adjustability is needed or with soft close brake. *No end cap available
10.5_ S42 Double top track, 60mm	
 	14.85.020 - silver 14.85.050 - dark bronze
	S42 Double top track, 60mm
	Finish Standard, Dark bronze
	Description Ceiling-mounted only Max length 4877mm [16'-0"]
10.6_ S42 Double top track, flat	
 	12.05.065
	S42 Double top track, flat
	Finish Mat black
	Description Ceiling-mounted only Max length 4877mm [16'-0"]

10.7_ S42 Triple top track



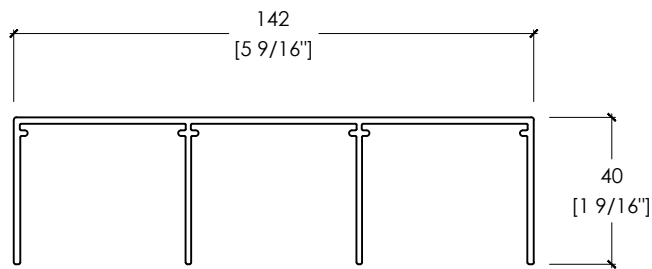
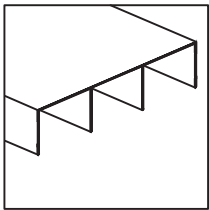
14.35.020

S42 Triple top track

Finish
Standard

Description
Ceiling-mounted only
Max length 4877mm [16'-0"]
Use when extra adjustability is
needed or with soft close brake.
*No end cap available

10.8_ S42 Triple top track, flat



12.35.065

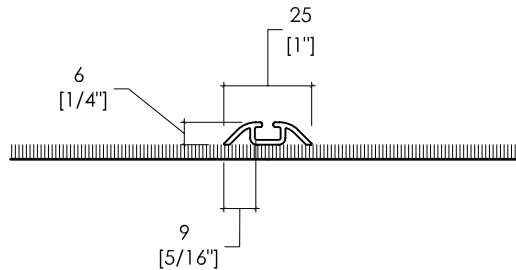
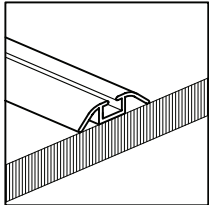
S42 Triple top track, flat

Finish
Mat black

Description
Ceiling-mounted only
Max length 4877mm [16'-0"]

11_ Bottom tracks

11.1_ S42 Single surface-mounted bottom track



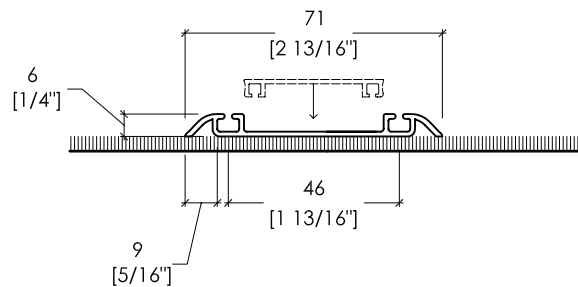
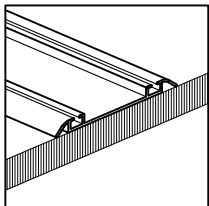
14.56.020 - Silver
14.56.065 - Mat black
14.56.050 - Dark bronze

S42 Single surface-mounted bottom track

Finish
Standard, Mat black, Dark bronze

Description
Provided with adhesive backing
Max length 4877mm [16'-0"]
*ADA compliant, verify with local jurisdictions

11.2_ S42 Double surface-mounted bottom track



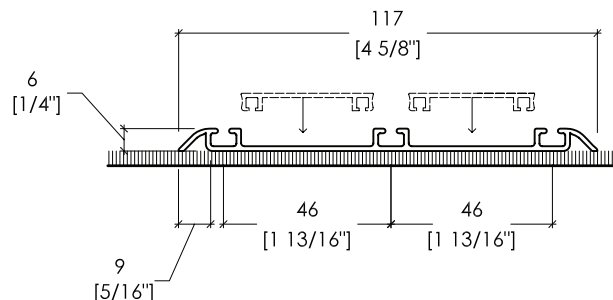
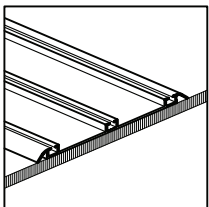
14.06.020

S42 Double surface-mounted bottom track

Finish
Standard

Description
Provided with adhesive backing
Inset cover sold separately
Max length 4877mm [16'-0"]
*ADA compliant, verify with local jurisdictions

11.3_ S42 Triple surface-mounted bottom track



14.33.020 - Silver
14.33.065 - Mat black

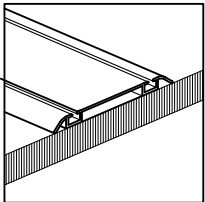
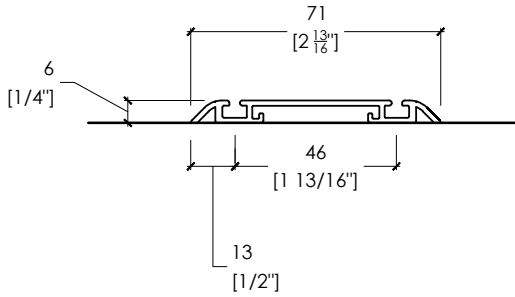
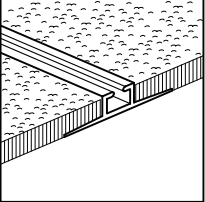
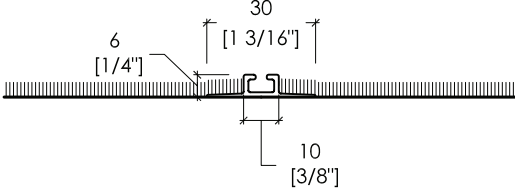
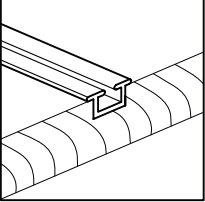
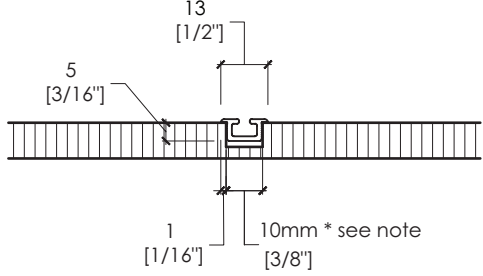
S42 Triple surface-mounted bottom track

Finish
Standard, Mat black

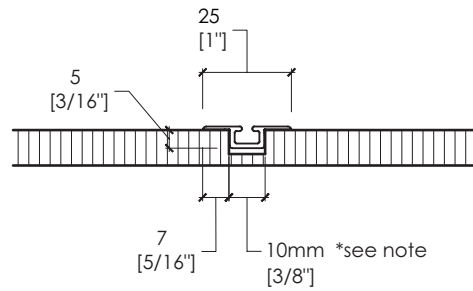
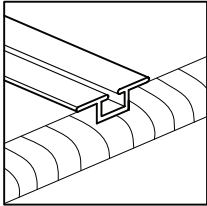
Description
Provided with adhesive backing
Inset covers sold separately
Max length 4877mm [16'-0"]
*ADA compliant, verify with local jurisdictions

SYSTEM DESCRIPTION_ S42 SERIES S1200

SLIDING DOOR SYSTEM

11.4_ S42 Double surface bottom track	
 	14.08.020 - Silver 14.08.065 - Mat black 14.08.050 - Dark bronze
	S42 Double surface closed track
	Finish Standard, Mat black, Dark bronze
	Description Provided with adhesive backing Max length 4877mm [16'-0"] *ADA compliant, verify with local jurisdictions
11.5_ S42 Single carpet bottom track	
 	14.76.020 - Silver 14.46.065 - Black
	S42 Single carpet bottom track
	Finish Standard, Black
	Description Max length 4877mm [16'-0"] *Use 10mm router bit *ADA compliant, verify with local jurisdictions
11.6_ S42 Single insert bottom track	
 	14.76.020 - Silver 14.76.065 - Mat black
	S42 Single insert bottom track
	Finish Standard, Black
	Description Max length 4877mm [16'-0"] *Use 10mm router bit *ADA compliant, verify with local jurisdictions

11.7_ S42 Single insert bottom track, 25mm



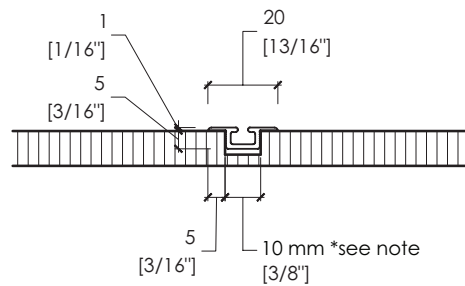
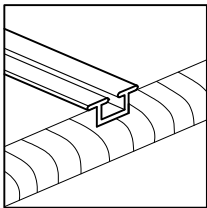
14.49.020

S42 Single insert bottom track,
25mm

Finish
Standard

Description
Inset cover sold separately
Max length 4877mm [16'-0"]
*ADA compliant, verify with local
jurisdictions

11.8_ S42 Single Insert bottom track, 20mm



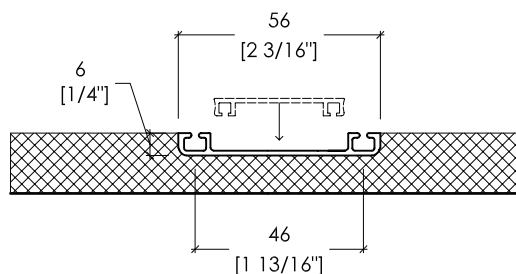
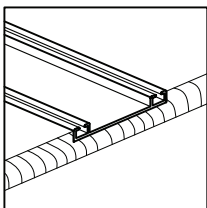
14.48.020 - Silver
14.48.050 - Dark bronze

S42 Single insert bottom track,
20mm

Finish
Standard, Dark bronze

Description
Inset cover sold separately
Max length 4877mm [16'-0"]
*ADA compliant, verify with local
jurisdictions

11.9_ S42 Double insert



14.66.020

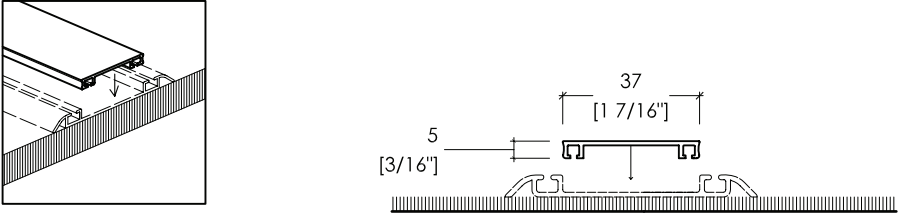
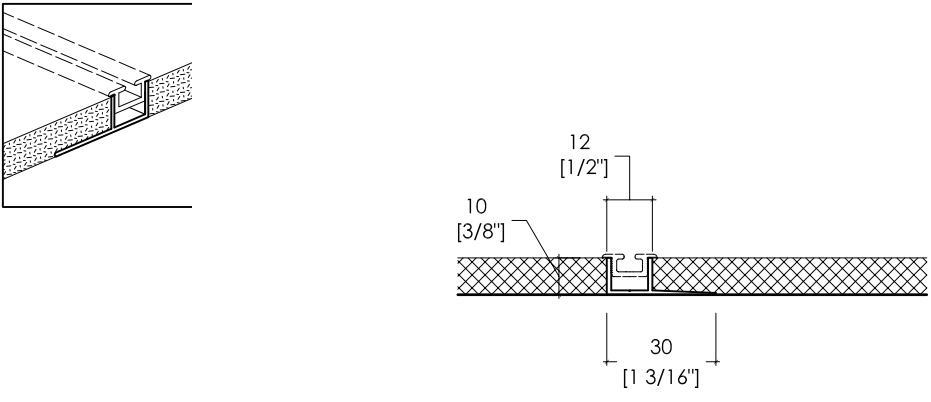
S42 Double insert bottom track

Finish
Standard

Description
Inset cover sold separately
Max length 4877mm [16'-0"]
*ADA compliant, verify with local
jurisdictions

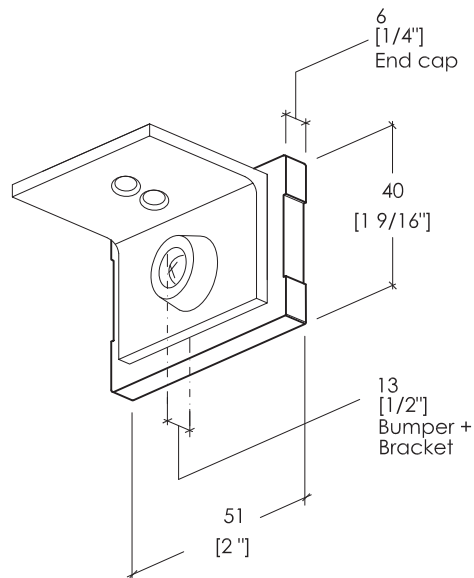
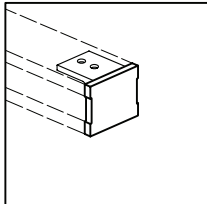
SYSTEM DESCRIPTION_ S42 SERIES S1200

SLIDING DOOR SYSTEM

11.10_ S42 Inset cover for bottom track	
	14.16.020
	S42 Inset cover for bottom track
	Finish Standard
	Description Cover fits between double or triple tracks Max length 4877mm [16'-0"] *Flooring material may be substituted for cover
11.11_ S42 Tile channel	
	14.77.010
	S42 Tile channel
	Finish Raw aluminum
	Description Use in conjunction with single insert track for tile or carpeted surfaces Max length 4877mm [16'-0"]

12_ Accessories

12.1_ S42 End cap for single top track / ceiling-mounted



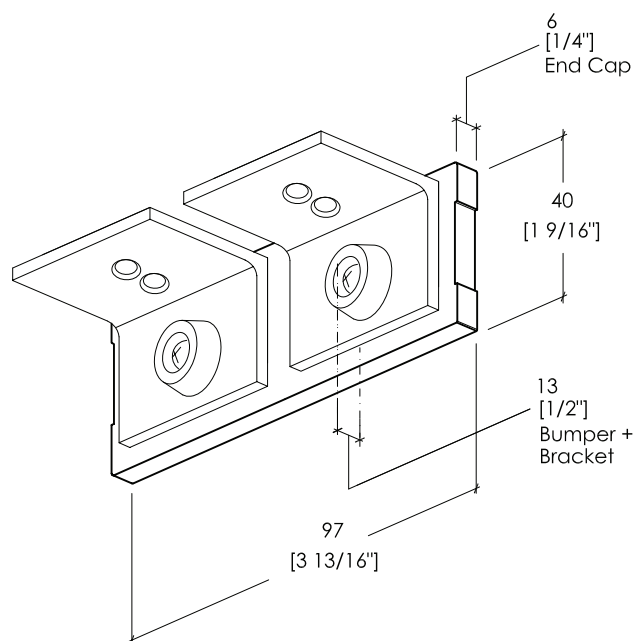
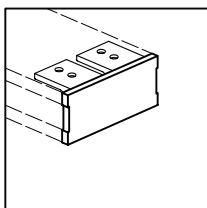
10.08.291
includes 1 x 10.08.491

S42 End cap for single top track/
ceiling-mounted

Finish
Standard

Description
For ceiling-mounted top tracks
Includes (1) single end cap (1) zinc
bracket, (1) bumper, and (1) screw
Add 13mm [1/2\"] extra track when
using end cap
Ceiling fasteners not included

12.2_ S42 End cap for double top track / ceiling-mounted



10.08.292
includes 2 x 10.08.491

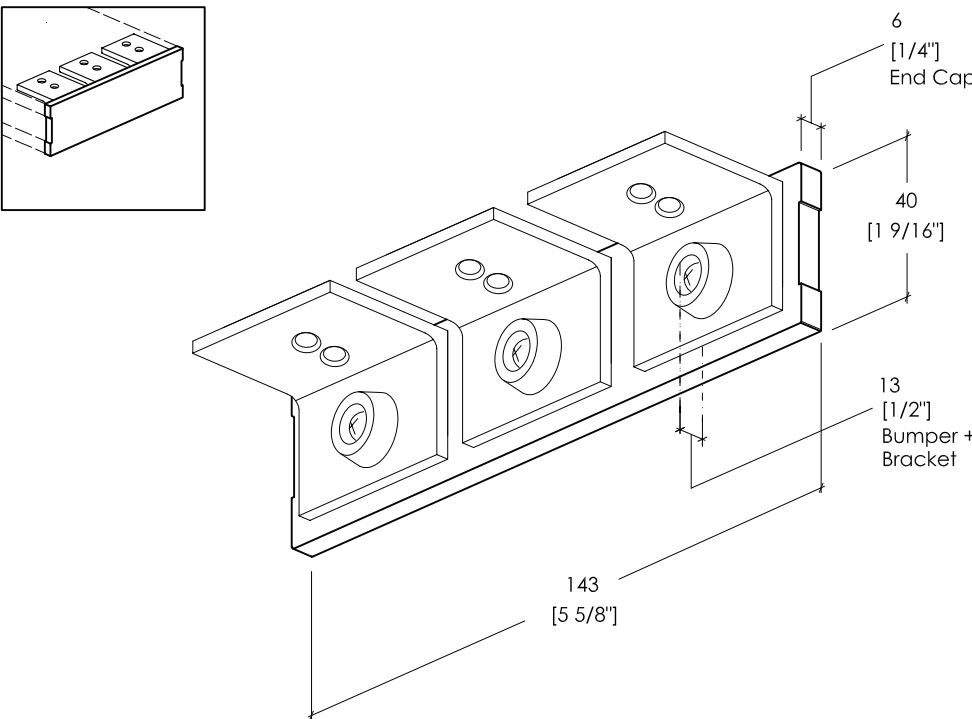
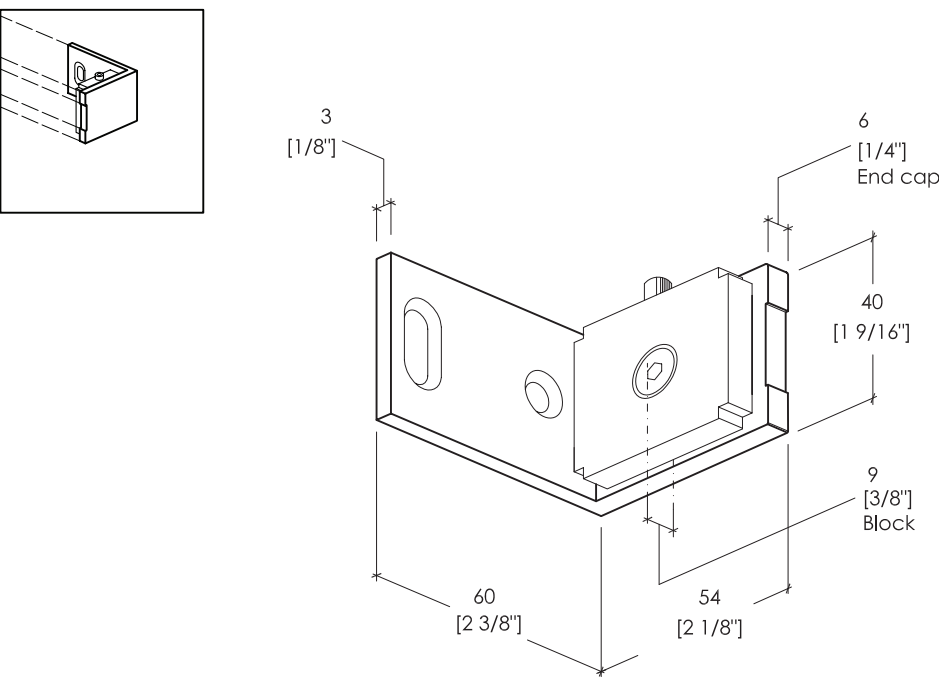
S42 End cap for double top
track / ceiling-mounted

Finish
Standard

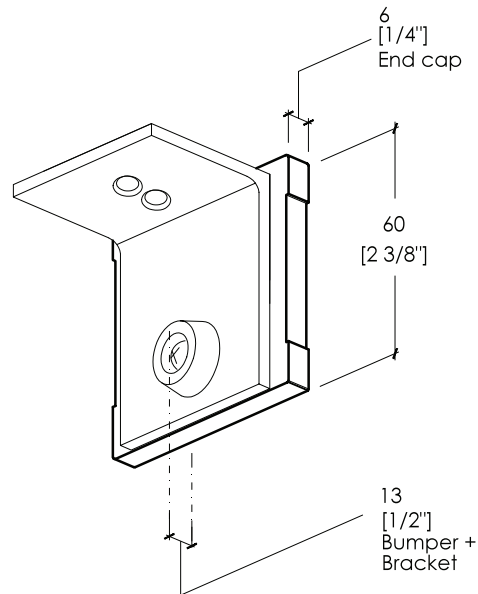
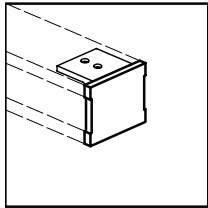
Description
For ceiling-mounted top tracks
Includes (1) double end cap,
(2) zinc brackets, (2) bumpers, and
(2) screws
Add 13mm [1/2\"] extra track when
using end cap
Ceiling fasteners not included

SYSTEM DESCRIPTION_ S42 SERIES S1200

SLIDING DOOR SYSTEM

12.3_ S42 End cap for triple top track / ceiling-mounted	
	<p>10.08.293 includes 3 x 10.08.491</p>
	<p>S42 End cap for triple top track / ceiling-mounted</p>
	<p>Finish Standard</p>
	<p>Description For ceiling-mounted top tracks Includes (1) triple end cap (3) zinc brackets, (3) bumpers, and (3) screws Add 13mm [1/2\"] extra track when using end cap Ceiling fasteners not included</p>
12.4_ S42 End cap for single top track / wall-mounted	
	<p>10.08.191</p>
	<p>S42 End cap for single top track / wall-mounted</p>
	<p>Finish Standard</p>
	<p>Description For wall-mounted top tracks, (available for single top tracks only) Includes (1) wall-mounted end cap, (1) stop block, (1) block-to-end cap screw, (1) block-to-top track screw Add 9mm [3/8\"] extra track when using end cap Wall fasteners not included *Interchangeable L and R</p>

12.5_ S42 End cap for single top track, 60mm / ceiling-mounted



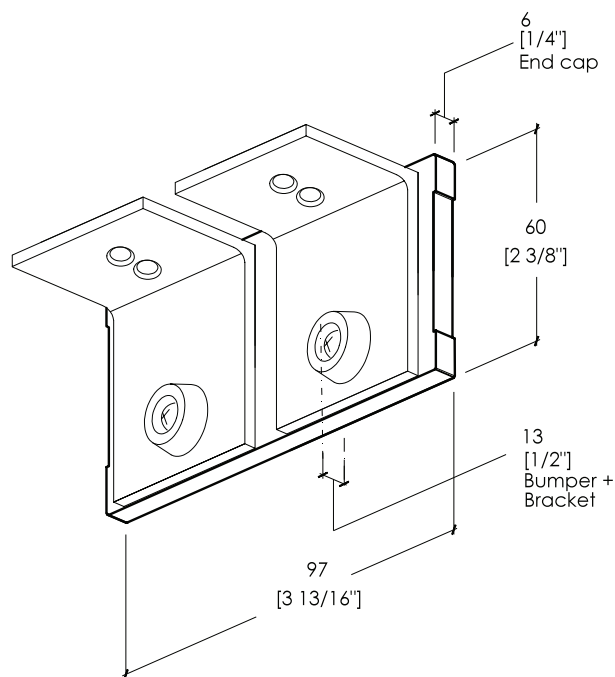
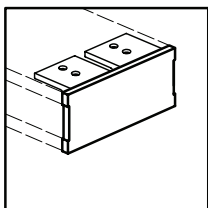
10.08.341
includes 1 x 10.08.297

S42 End cap for single top track,
60mm / ceiling-mounted

Finish
Standard

Description
For ceiling-mounted top tracks
Includes (1) single end cap (1) zinc
brackets, (1) bumpers, and
(3) screws
Add 13mm [1/2\"] extra track when
using end cap
Ceiling fasteners not included

12.6_ S42 End cap for double top track, 60mm / ceiling-mounted



10.08.342
includes 2 x 10.08.297

S42 End cap for single top track
/ wall-mounted

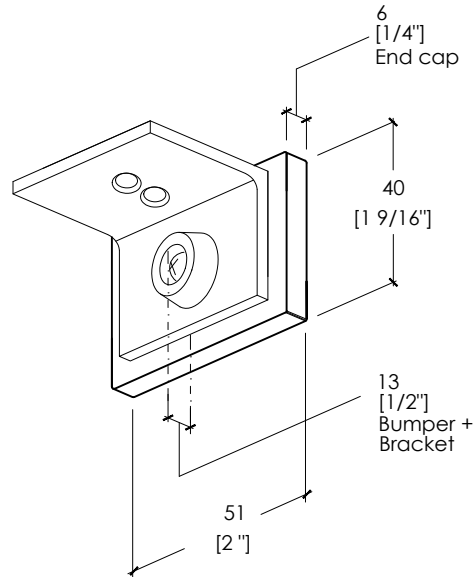
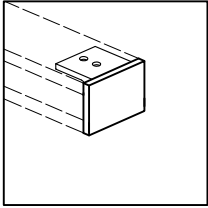
Finish
Standard

Description
For wall-mounted top tracks,
(available for single top tracks only)
Includes (1) wall-mounted end cap,
(1) stop block, (1) block-to-end cap
screw, (1) block-to-top track screw
Add 9mm [3/8\"] extra track when
using end cap
Wall fasteners not included
*Interchangeable L and R

SYSTEM DESCRIPTION_ S42 SERIES S1200

SLIDING DOOR SYSTEM

12.7_ S42 End cap for single top track, 40mm / flat / ceiling-mounted



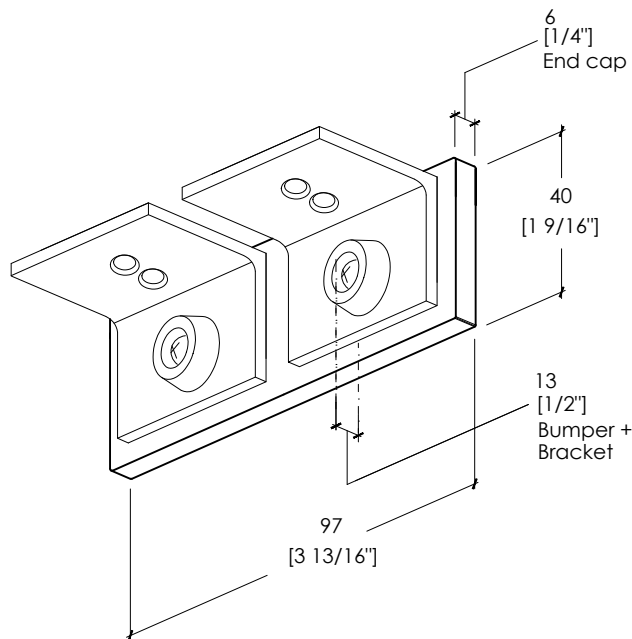
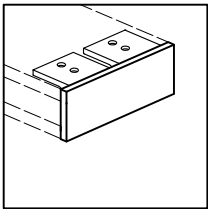
10.09.197
includes 1 x 10.08.297

S42 End cap for single top track,
40mm / flat /ceiling-mounted

Finish
Mat black

Description
For ceiling-mounted top tracks
Includes (1) single end cap (1) zinc
brackets, (1) bumpers, and
(3) screws
Add 13mm [1/2"] extra track when
using end cap
Ceiling fasteners not included

12.8_ S42 End cap for double top track, 40mm / flat / ceiling-mounted



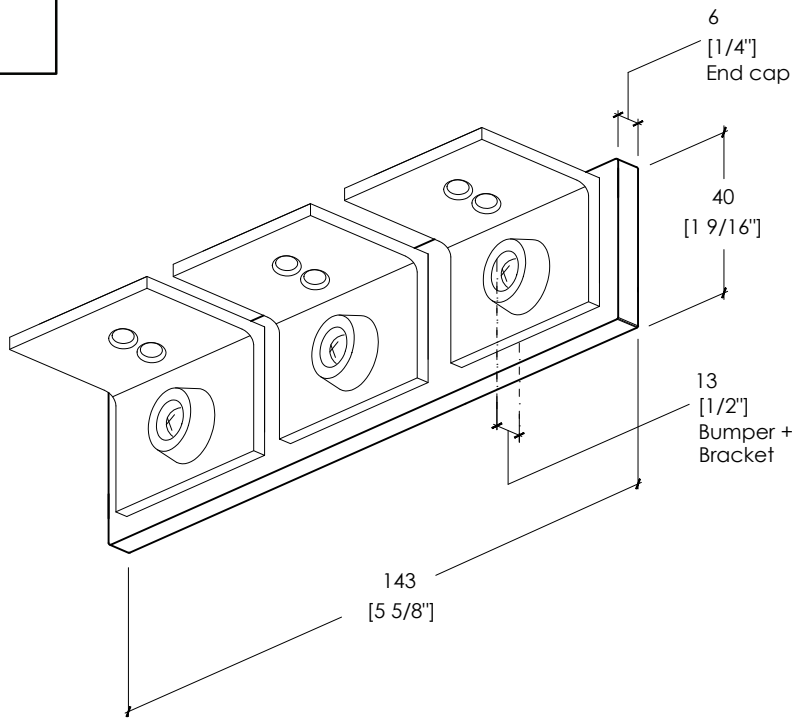
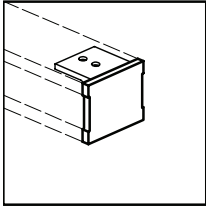
10.09.297
includes 2 x 10.08.297

S42 End cap for double top track /
flat / wall-mounted

Finish
Mat black

Description
For wall-mounted top tracks, (availa-
ble for single top tracks only)
Includes (1) wall-mounted end cap,
(1) stop block, (1) block-to-end cap
screw, (1) block-to-top track screw
Add 9mm [3/8"] extra track when
using end cap
Wall fasteners not included
*Interchangeable L and R

12.9_ S42 End cap for triple top track, 40mm / flat / ceiling-mounted



10.09.397
includes 1 x 10.08.297

S42 End cap for triple top track,
40mm / flat / ceiling-mounted

Finish
Mat black

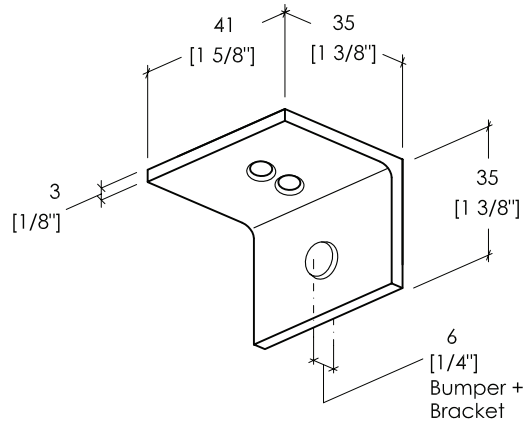
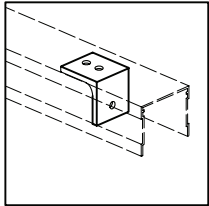
Description
For ceiling-mounted top tracks
Includes (1) single end cap (1) zinc
brackets, (1) bumpers, and
(3) screws
Add 13mm [1/2"] extra track when
using end cap
Ceiling fasteners not included

SYSTEM DESCRIPTION_ S42 SERIES S1200

SLIDING DOOR SYSTEM

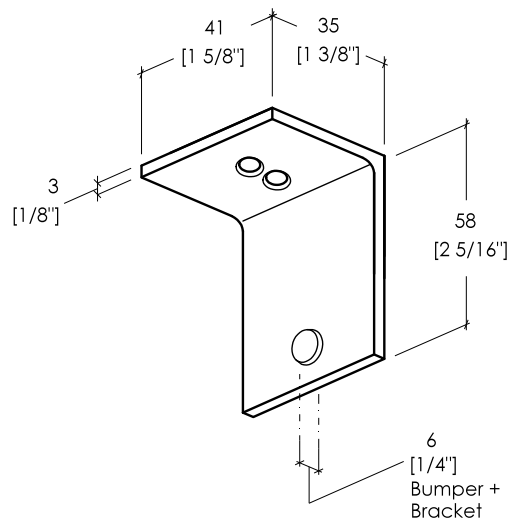
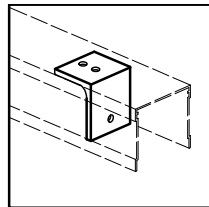
<p>12.10_ S42 End cap for single surface-mounted bottom track</p>		<p>10.09.081 - Silver 10.09.072 - Mat black laquer</p> <p>S42 End cap for single surface-mounted bottom track</p> <p>Finish Standard, Mat black</p> <p>Description Includes (1) single end cap, (1) set screw</p>
<p>12.11_ S42 End cap for double surface-mounted bottom track</p>		<p>10.09.092 - Silver 10.09.097 - Mat black laquer</p> <p>S42 End cap for double surface-mounted bottom track</p> <p>Finish Standard, Mat black</p> <p>Description Includes (1) double end cap, (2) set screws</p>
<p>12.12_ S42 End cap for triple surface-mounted bottom track</p>		<p>10.09.093 - Silver 10.09.101 - Mat black laquer</p> <p>S42 End cap for triple surface-mounted bottom track</p> <p>Finish Standard, Mat black</p> <p>Description Includes (1) triple end cap, (3) set screws</p>

12.13_ S42 Stopper for top track, 40mm



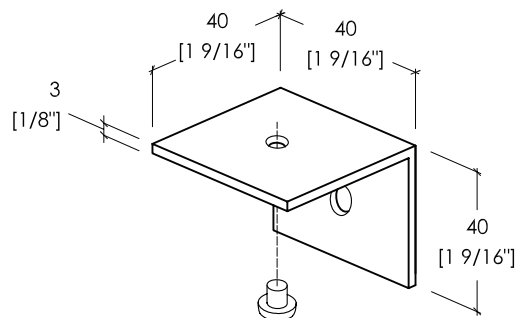
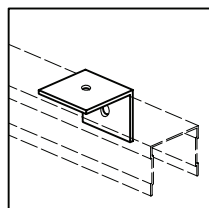
10.08.491
S42 Stopper for top track
Finish Zinc bracket
Description Clear silicone bumper included Ceiling fasteners not included Stops door in desired location along track

12.14_ S42 Stopper for top track, 60mm



10.08.191
S42 Positioning for top track, 60mm
Finish Zinc bracket
Description Clear silicone bumper included Ceiling fasteners not included Stops door in desired location along track

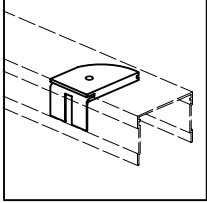
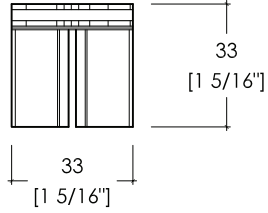
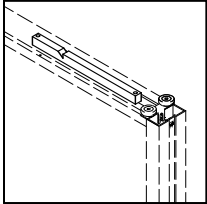
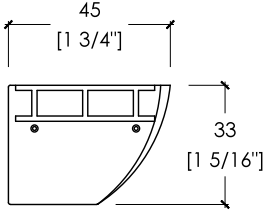
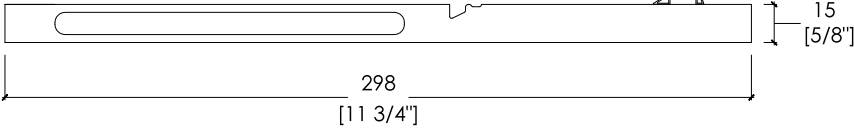
12.15_ L-bracket for wall-mounted top track



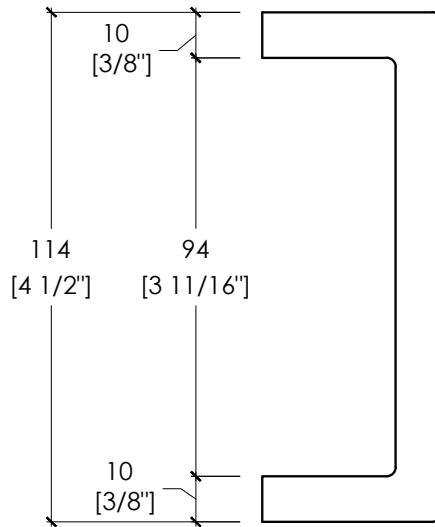
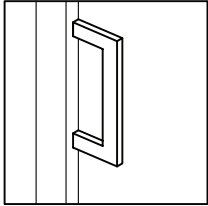
10.08.170
L-bracket for wall-mounted top track
Finish Standard
Description Wall-mounted bracket for S42 top track (single track only) Includes track-to-bracket screw Wall fastener not included Wall-mount for single doors only

SYSTEM DESCRIPTION_ S42 SERIES S1200

SLIDING DOOR SYSTEM

12.16_ S42 Positioning for top track	
 	10.01.027
	S42 Positioning for top track
	Finish Clear plastic
	Description Holds door in desired location along track
12.17_ S42 Soft close brake	
  	Brake 10.01.360 for 10-30kg [0-66lbs] 10.01.370 for 31-60kg [0-132lbs] Positioning for top track 10.01.393 for 40mm top track 10.01.394 for 60mm top track
	Soft close brake
	Finish Black plastic / clear plastic
	Description Soft close dampening system for use on doors 5-80 kg [22lbs to maximum 176lbs] *Best used with 60mm top track, can be used with 40mm but does not allow as much adjustment.

12.18_ Half rectangle applied handle



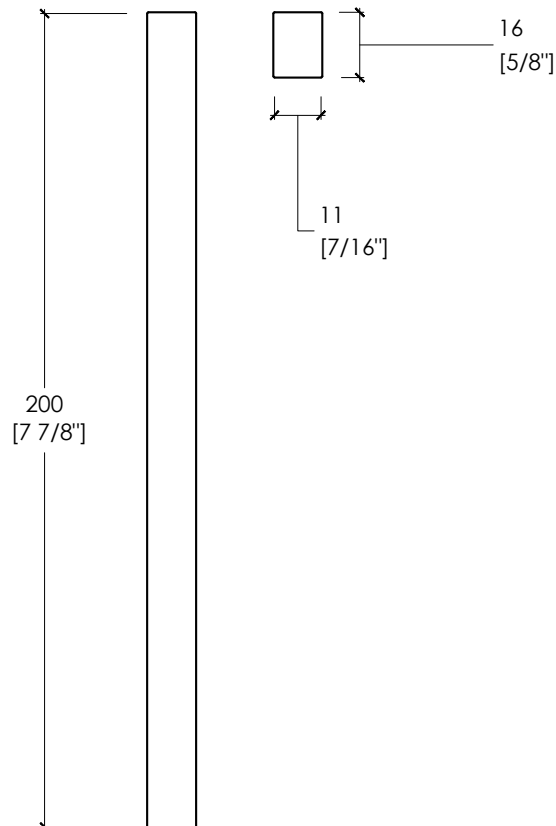
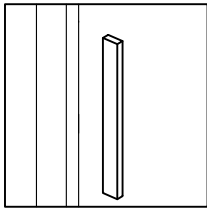
10.01.093 (silver)
10.01.105 (mat black laquer)

Half rectangle applied handle

Finish
Standard, mat black laquer

Description
Provided with adhesive backing

12.19_ Single-sided applied dividing rail



10.01.911 (silver)
10.01.915 (mat black laquer)
10.01.913 (dark bronze)

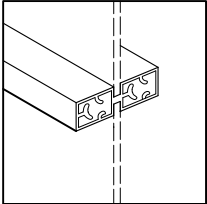
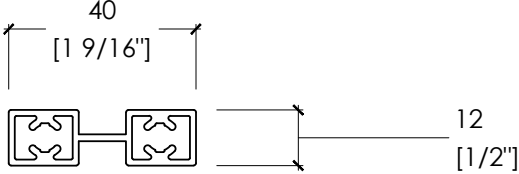
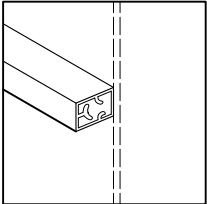
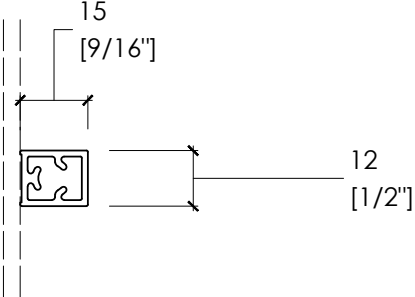
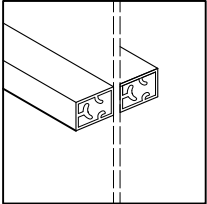
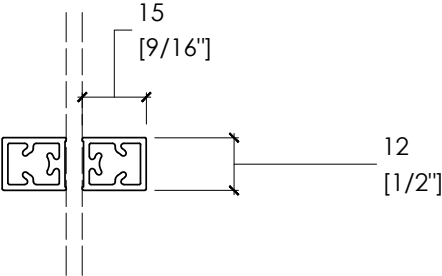
rectangular handle, applied

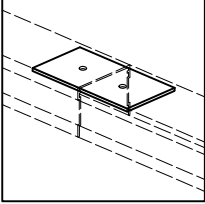
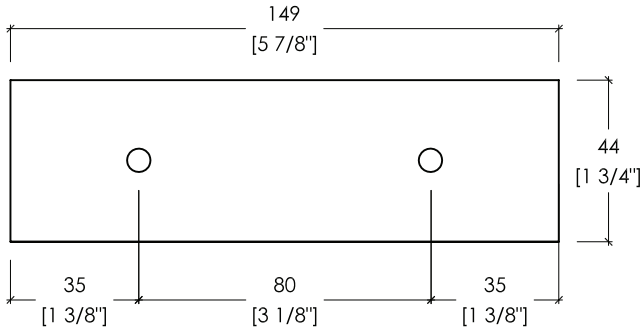
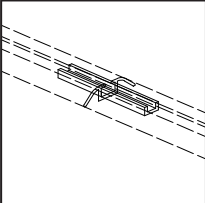
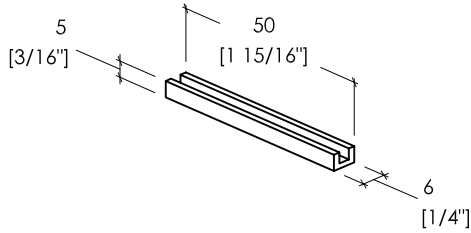
Finish
Standard, ,mat black laquer

Description
Provided with adhesive backing

SYSTEM DESCRIPTION_ S42 SERIES S1200

SLIDING DOOR SYSTEM

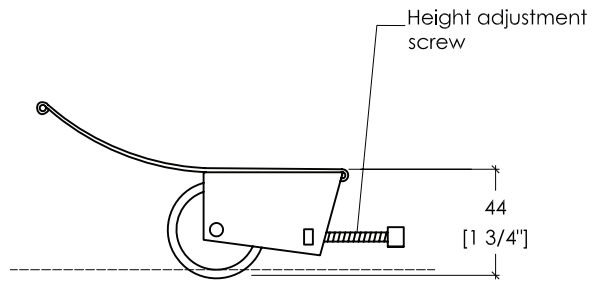
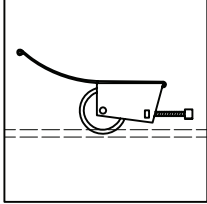
12.20_ True dividing rail	
 	12.20.020 - Silver 12.20.065 - Mat black
	True dividing rail
	Finish Standard, Mat black
	Description Use to partition different materials horizontally or *vertically within a door *Consult Raumplus for vertical partitioning, cannot combine horizontal and vertical true dividers within one door Note: Frame kits not drilled for dividers
12.21_ Single-sided applied dividing rail	
 	12.22.066
	Single-sided applied dividing rail
	Finish Mat black
	Description Provided with adhesive backing Applied divider can be used horizontally or vertically
12.22_ Double-sided applied dividing rail	
 	13.33.020
	Double-sided applied dividing rail
	Finish Standard
	Description Provided with adhesive backing Applied divider can be used horizontally or vertically

12.23_ Connector for bottom track	
 	10.04.050
	S42 Connector for top track
	Finish Black plastic
	Description Used for splicing top tracks Mounts in slot on inside of track Fasteners not included
12.24_ Connector for bottom track	
 	10.04.040
	Connector for bottom track
	Finish Black plastic
	Description Used for splicing bottom tracks Mounts inside track Can not be used in combination with security bottom roller

SYSTEM DESCRIPTION_ S42 SERIES S1200

SLIDING DOOR SYSTEM

12.26_ Bottom roller



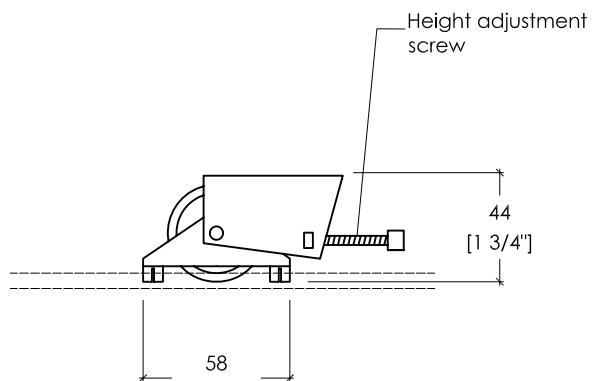
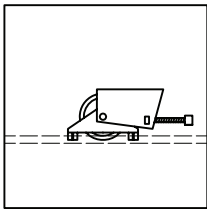
10.01.120

Bottom roller

Finish
Steel
Sealed ball-bearing

Description
Standard bottom roller

12.27_ Security bottom roller

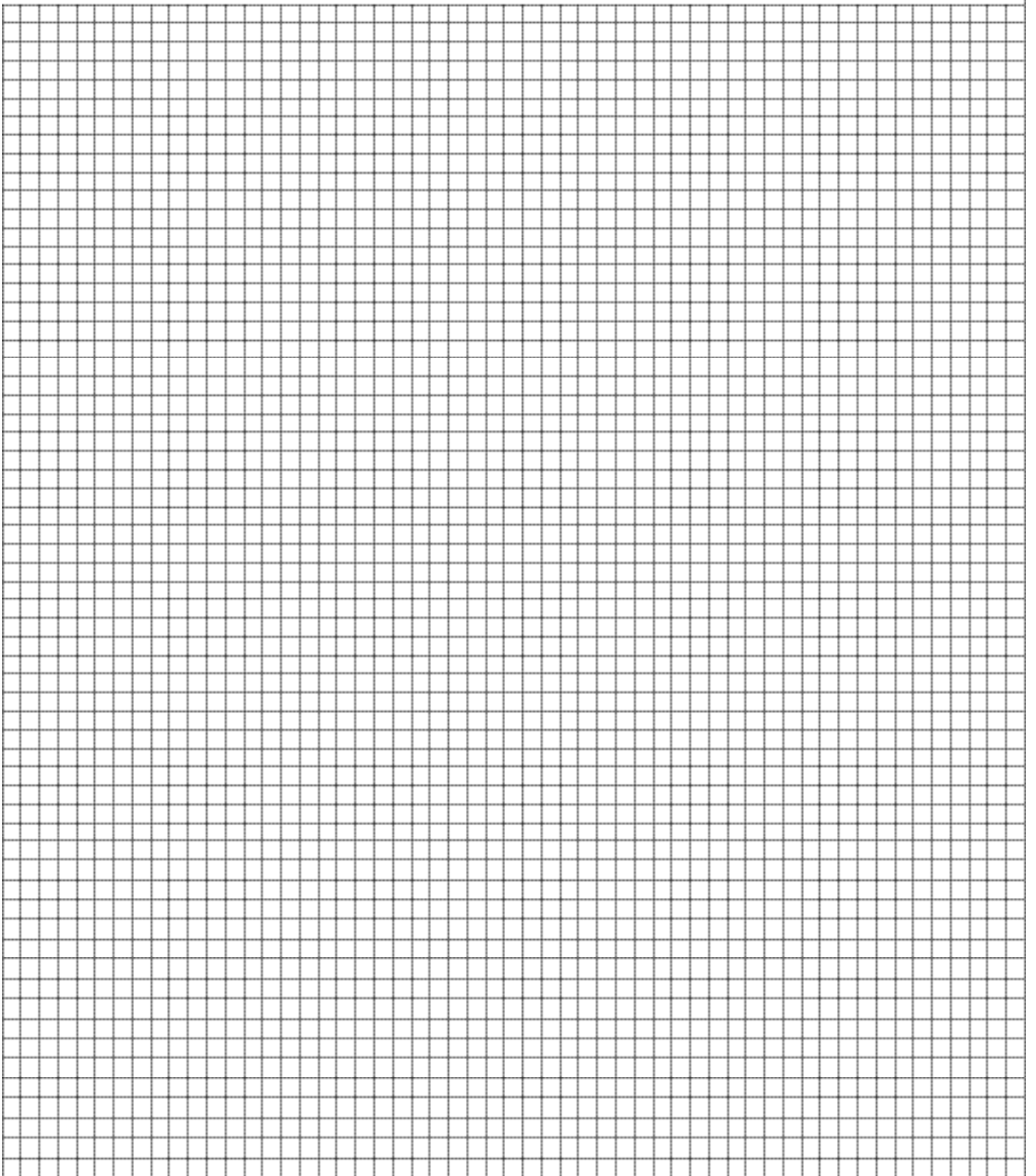


10.01.121

Security bottom roller

Finish
Steel
Sealed ball-bearing

Description
Requires special installation
Use when doors are installed on
top of half walls



Technical specifications are subject to change. All rights reserved raumplus North America.
Should you have any further questions, please contact your raumplus representative.

Published by:
raumplus North America

USA 866 580 0112

raumplusna.com

raumplus