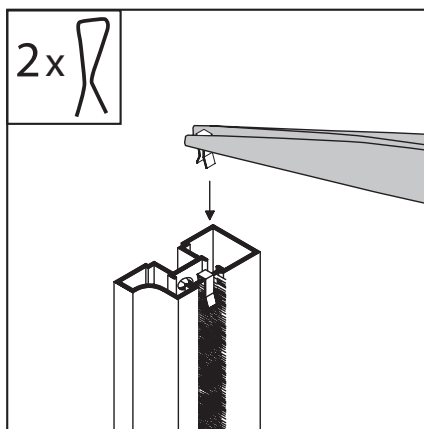


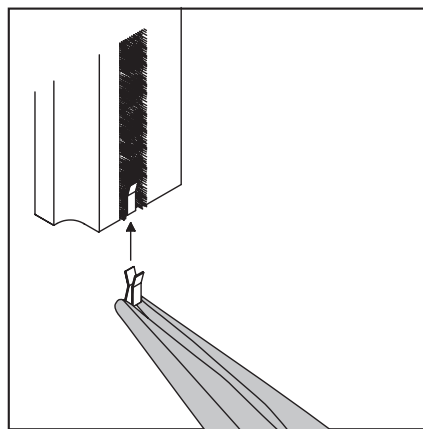
SLIDING DOOR SYSTEMS: INSTALLATION INSTRUCTIONS BRUSH OR RUBBER GASKET, TWO WAYS OF INSTALLING

V2017.1

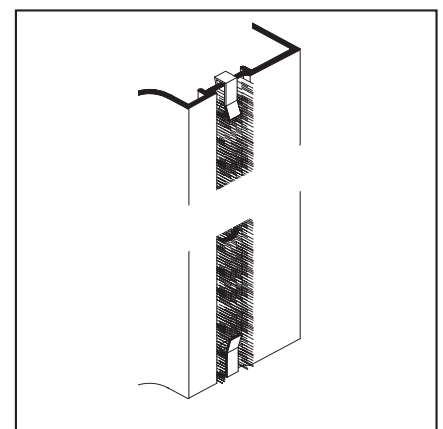
INSTALL WITH CLIPS



1_ Affix gasket



2_ Apply gasket clip

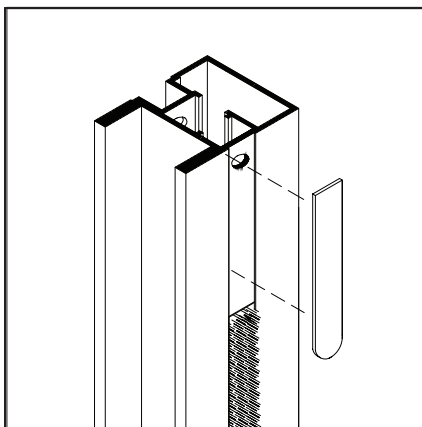


3_ Secure

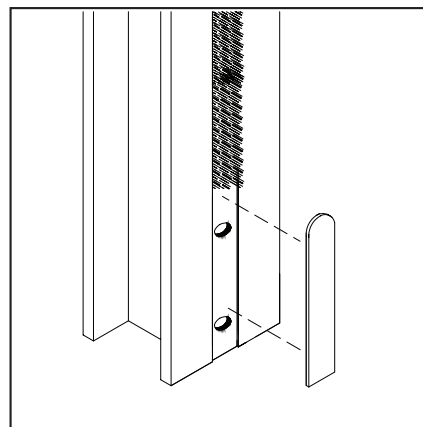
INSTALLATION INSTRUCTIONS:

- 1_ Affix gasket to vertical stile. Do not apply gasket over door plugs.
- 2_ Use needlenose pliers to apply gasket clip at top of stile and bottom of stile.
- 3_ Firmly press the adhesive backed gasket to the vertical stile. Press gasket for 30 seconds or more to activate the adhesive.

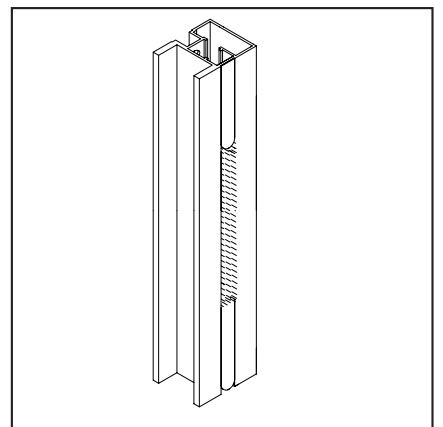
INSTALL WITH PLUGS



1_ Affix plug



2_ Affix plug



3_ Affix gasket

INSTALLATION INSTRUCTIONS:

- 1_ Affix plugs over top holes on vertical stile..
- 2_ Affix plugs over bottom holes on vertical stile.
- 3_ Apply gasket between the plugs. Firmly press the adhesive backed gasket to the vertical stile. Press gasket for 30 seconds or more to

Note: Doors are provided with gasket for one side of door only, unless otherwise requested.