

# FITTINGS: ASSEMBLY INSTRUCTION

## TURNING BOLT LOCK S1500 AND S3000

V2018.1

# CONTENT AND TOOLS

## CONTENT:

Content and tools	page 02
General information	page 03
Product information	page 04
Accessories	page 06
Installation instruction	page 07
Panel	
- with lock in sliding door	page 11
- with lock in System AIR	page 12
Panel cutout	
- S1500	page 13
- S3000	page 14
Milling pattern	
- sliding door to fixed element	page 15
- System AIR to wall connect adjustable	page 16
Locking plate	
- in square tube	page 17
- in corpus	page 18
- in wall connect adjustable	page 19
Installation instruction	
Door knob with red / green indicator	page 20

## TOOLS:

- n Allen key set
- n Milling machine
- n Drilling machine
- n Drill set metall / stone
- n Screwdriver set
- n Pencil

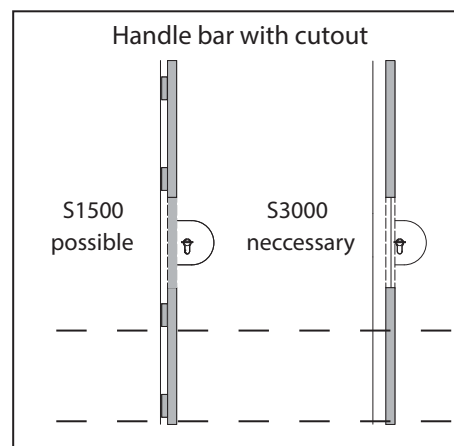
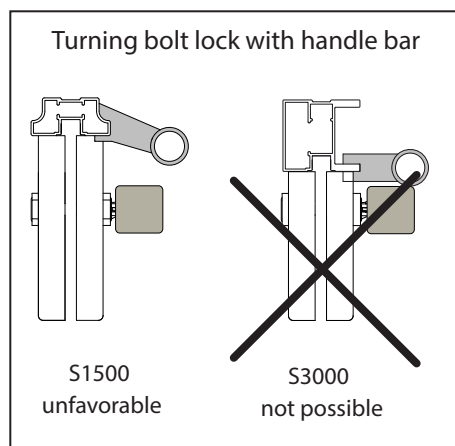
# GENERAL INFORMATION

## TECHNICAL DESCRIPTION:

- n Profile system S1500 and S3000 anodized (not coated or veneered)
- n Faceplate anodized in silver (E6/EV1- raumplus) for S1500 and S3000; both sides
- n Panel width 6 mm, 8 mm and 10 mm (corresponding mounting bolts)  
panel material: single panel safety glass (if required, laminated safety glass) or wooden panels (covered chipboards)
- n Maximum door weight 120 kg
- n Handle bar (optional) (with constraints)
- n Lock cylinder: profile cylinder 42

**CAUTION:** The lock nuts will turn during the attachment of the lock box / locking plate (desired function). During a disassembly of the lock box / locking plate it is recommended only to loosen (app. two turns) the screws of the lock nuts and for removal orient the lock nuts parallel to the milled edge of the profile; in some cases one slight beat with a hammer on the screw heads is needed to release the lock nuts, if they are jammed. After aligning the lock box / the locking plate glue on the dust excluding brush on both sides or the seal 10.26.070 on one side.

**NOTE:** Please ensure to use the lock only with the dust excluding brush or the seal!



## Preparation

- n This manual is part of the product and describes the safe and proper installation of the system. Read the instruction carefully and closely before installation
- n Please note that the assembly must only be performed by qualified and trained staff in strict compliance with all details indicated in this document.  
Improper installation in variation from manufacturer's specification may cause defects and danger, thus endangering the safe fixing of the product as well as the safety of the prospective user. The liability of the manufacturer shall be excluded in case of defects and consequential damages resulting from incorrect assembly of this product.
- n Please check the completeness of the delivered parts and check carefully if any transport damages are visible..
- n If any parts are damaged or lost, please immediately contact the responsible supplier.
- n It is assumed that you have exactly identified all cutting dimensions according to the measurement instruction for raumplus-products

## Used symbols / safety instructions

Symbol	Importance
	Risk or danger!
	Advice and information
	Additional information / other documents

	Directional data / direction of movement
	„yes“ and „right“
	„no“ and „wrong“
	Follow the order

#### Product safety

- n The system is in accordance with the state of the art and recognized safety rules at the time of delivery

#### Intended use

- n The condition for the intended use of our products is the professional installation according to our installation instruction.  
The fittings must be sufficiently and durable attached to all relevant places.  
Sufficient fittings must be available and durable in stalled in all relevant places.  
The function of the fitting must not be hindered or altered during installation.
- n Special solutions are only possible in consultation with raumplus

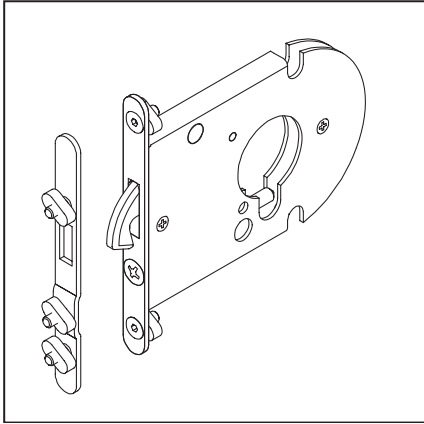
#### Use not as intended

- n Risk or danger may occur in the following cases:  
  
the door system has improperly been installed or maintained  
the safety and installation instructions have not been followed  
after improper installation or inadequate fixing ( e.g. to parts of buildings)  
the maximum weight of the doors has been exceeded  
Improper shock and case loads or other additional loads  
on the fittings have occurred  
the fittings have been used outside  
Body parts or objects get in to the clothing edges or door runnings during use of  
the door wing  
the door system is not used as intended

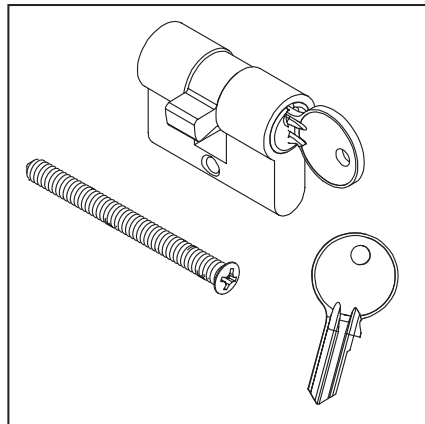
#### Structural modifications

- n structural modifications that can not be offered as an accessory made by raumplus may only attached or installed with permission of raumplus.

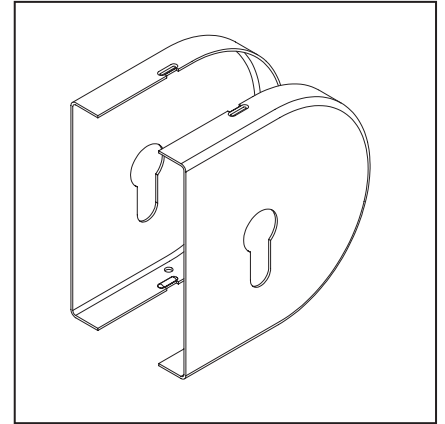
# ACCESSORIES



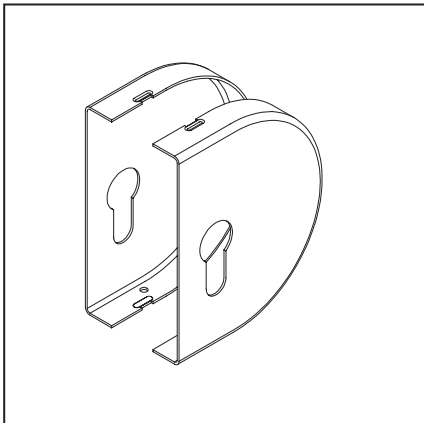
1\_ 10.01.190



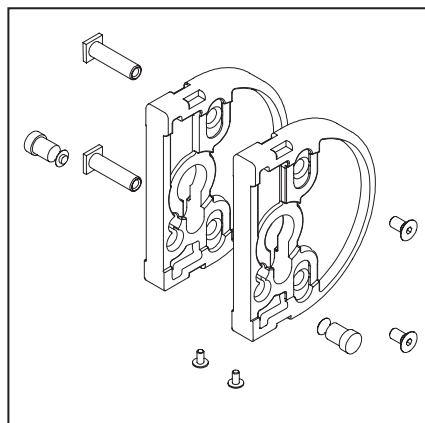
2\_ 10.01.194



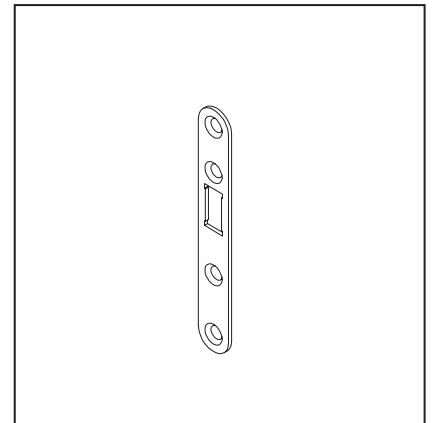
3\_ 10.01.192



4\_ 10.01.193



5\_



6\_ 10.01.191

1\_ Turning bolt lock S1500 + S3000

2\_ Profile cylinder with 2 keys

3\_ Faceplate set S1500

4\_ Faceplate set S3000

5\_ Turning bolt lock Accessories set

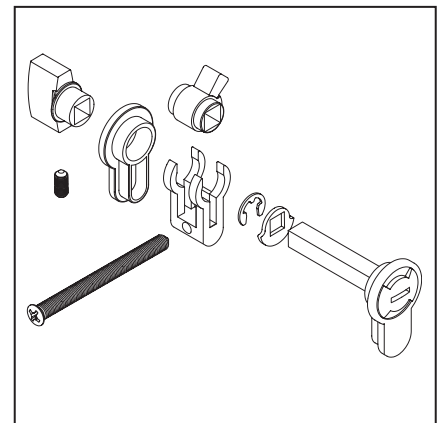
for 6 mm (1/4") panel (10.01.196)

for 8 mm (5/16") panel (10.01.198)

for 10 mm (3/8") panel (10.01.199)

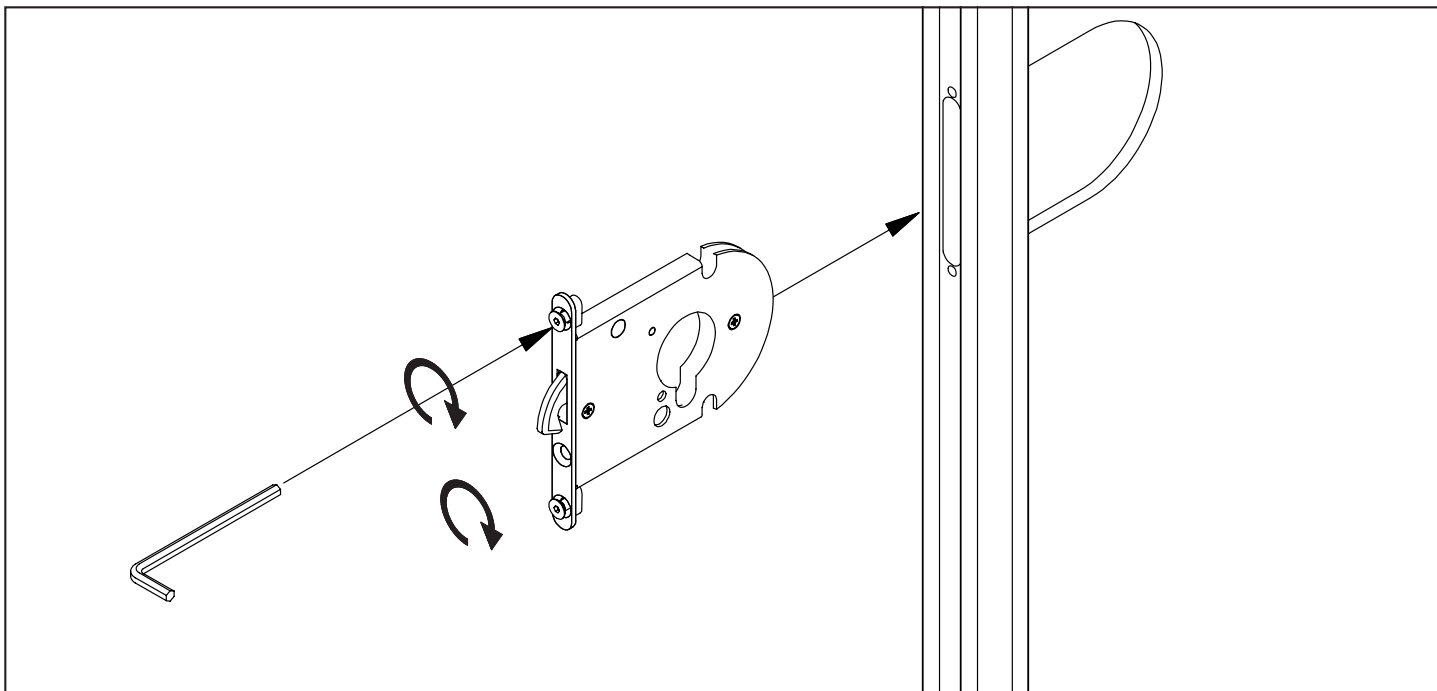
6\_ Locking plate S1500 + S3000

7\_ Door knob with red / green indicator

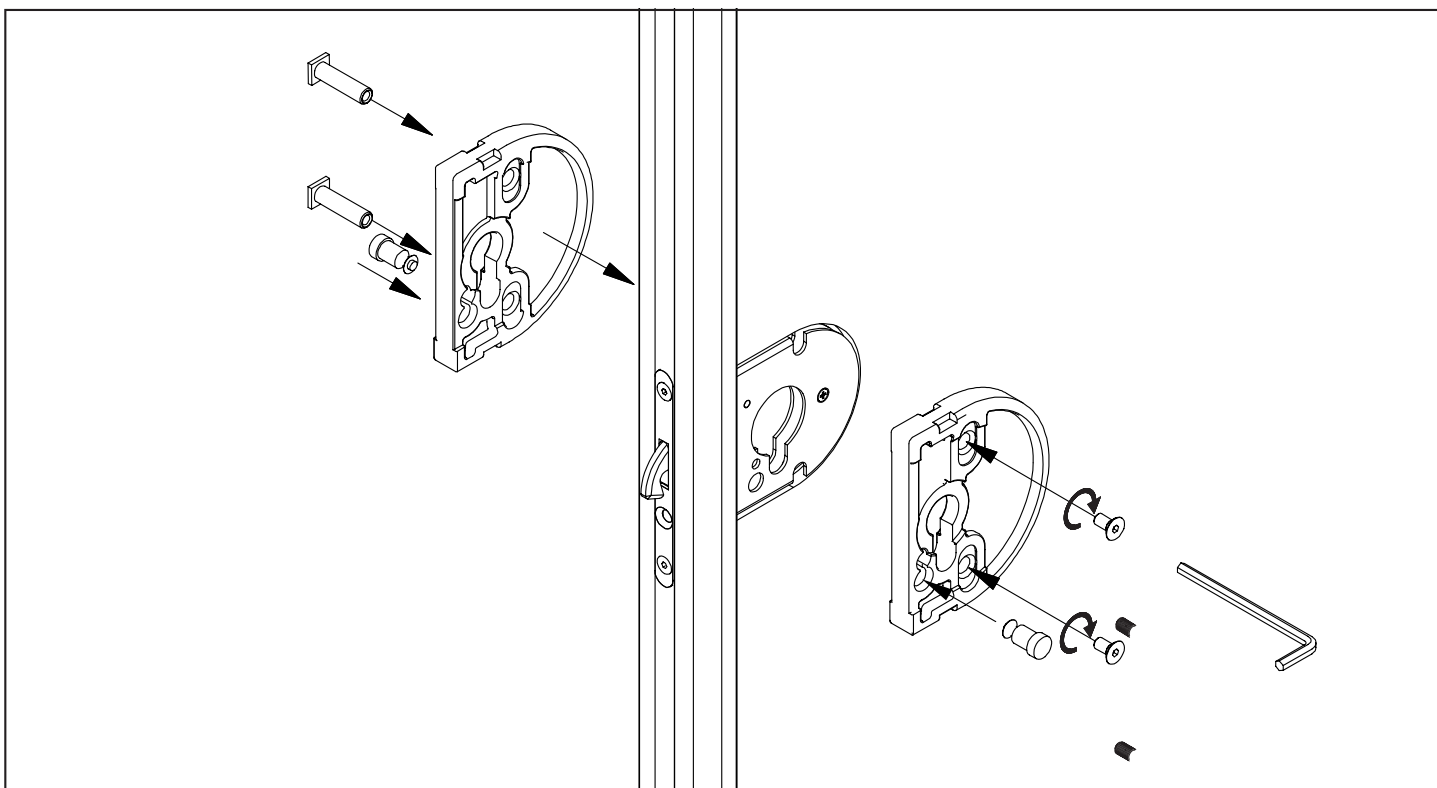


7\_ 10.01.203

# ASSEMBLY INSTRUCTION

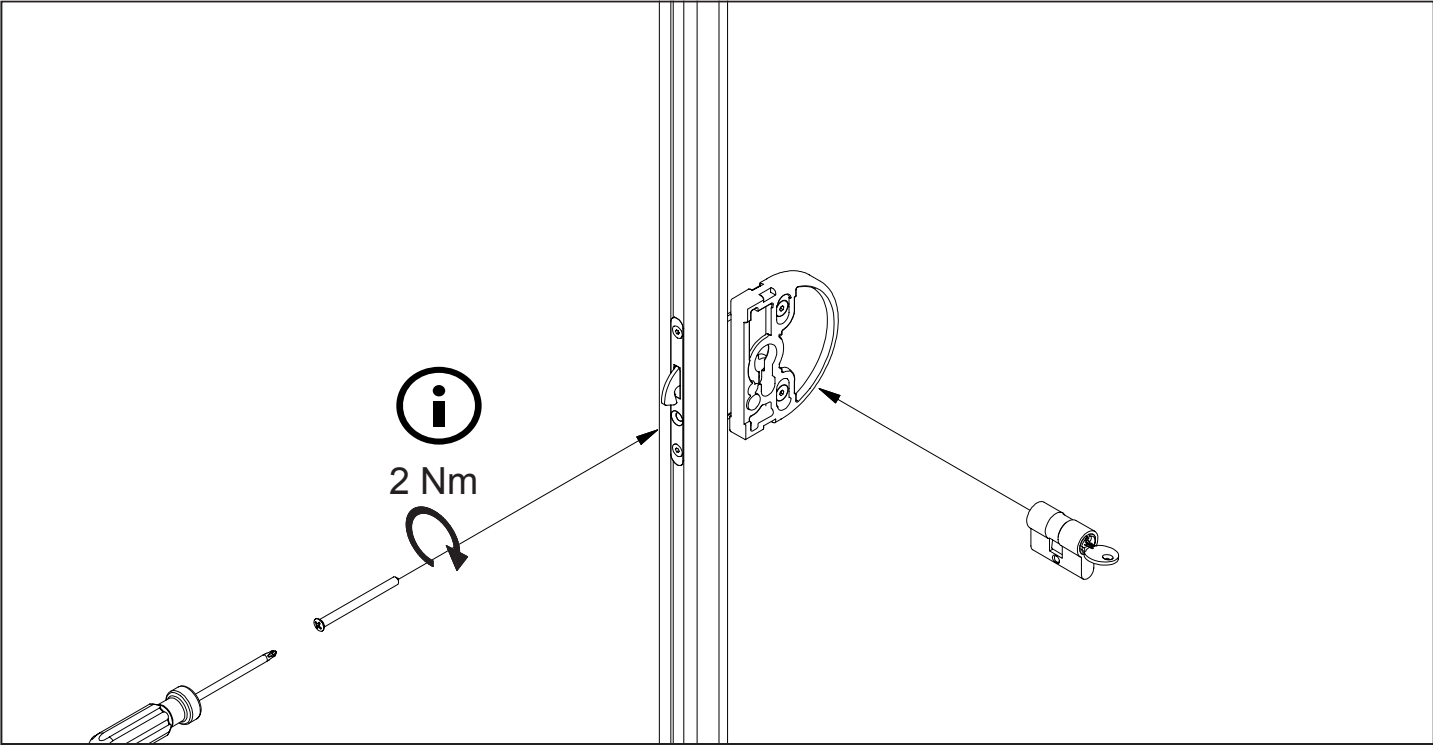


1\_ assembly lock box / allen keys 2.5 mm

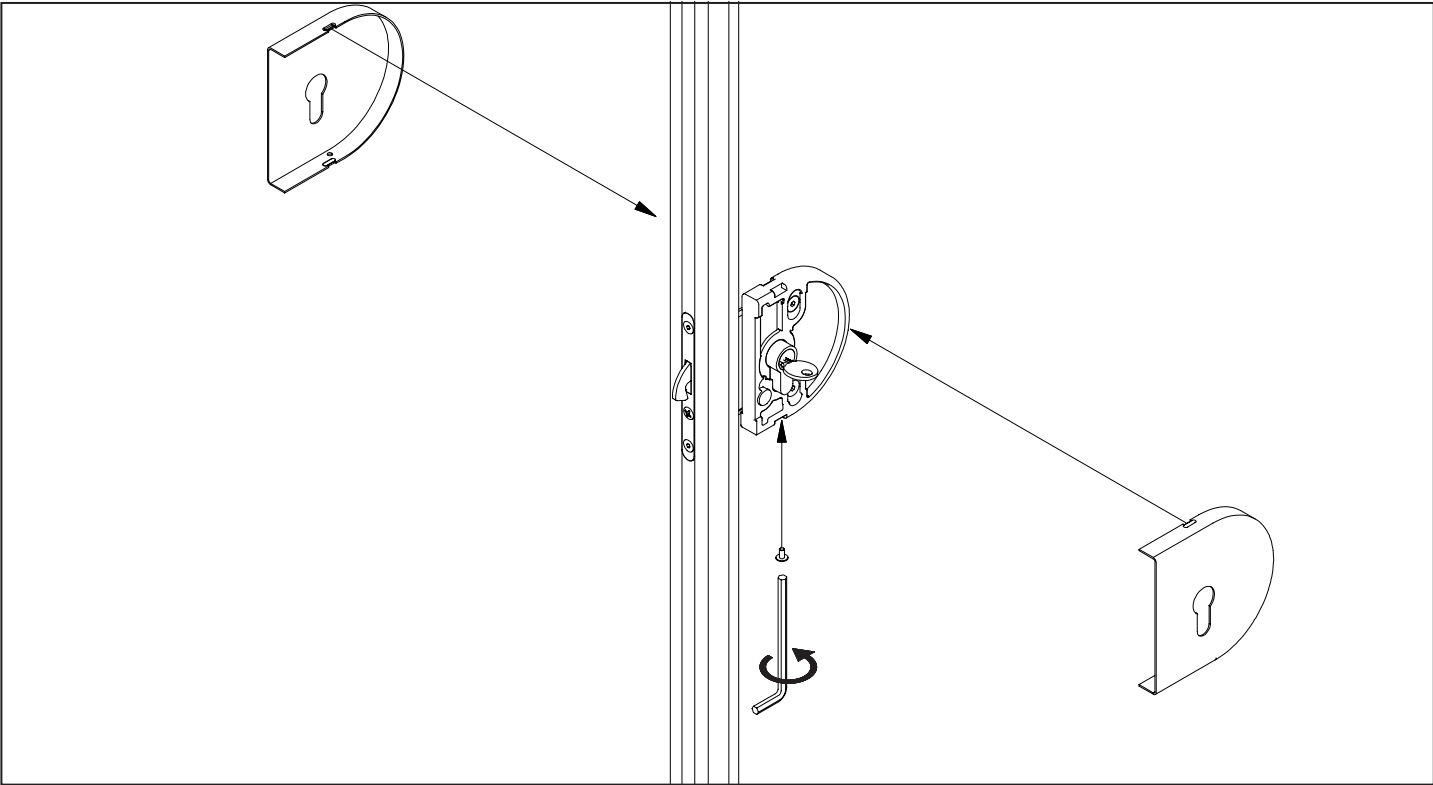


2\_ assembly support elements / allen keys 3 mm

# ASSEMBLY INSTRUCTION



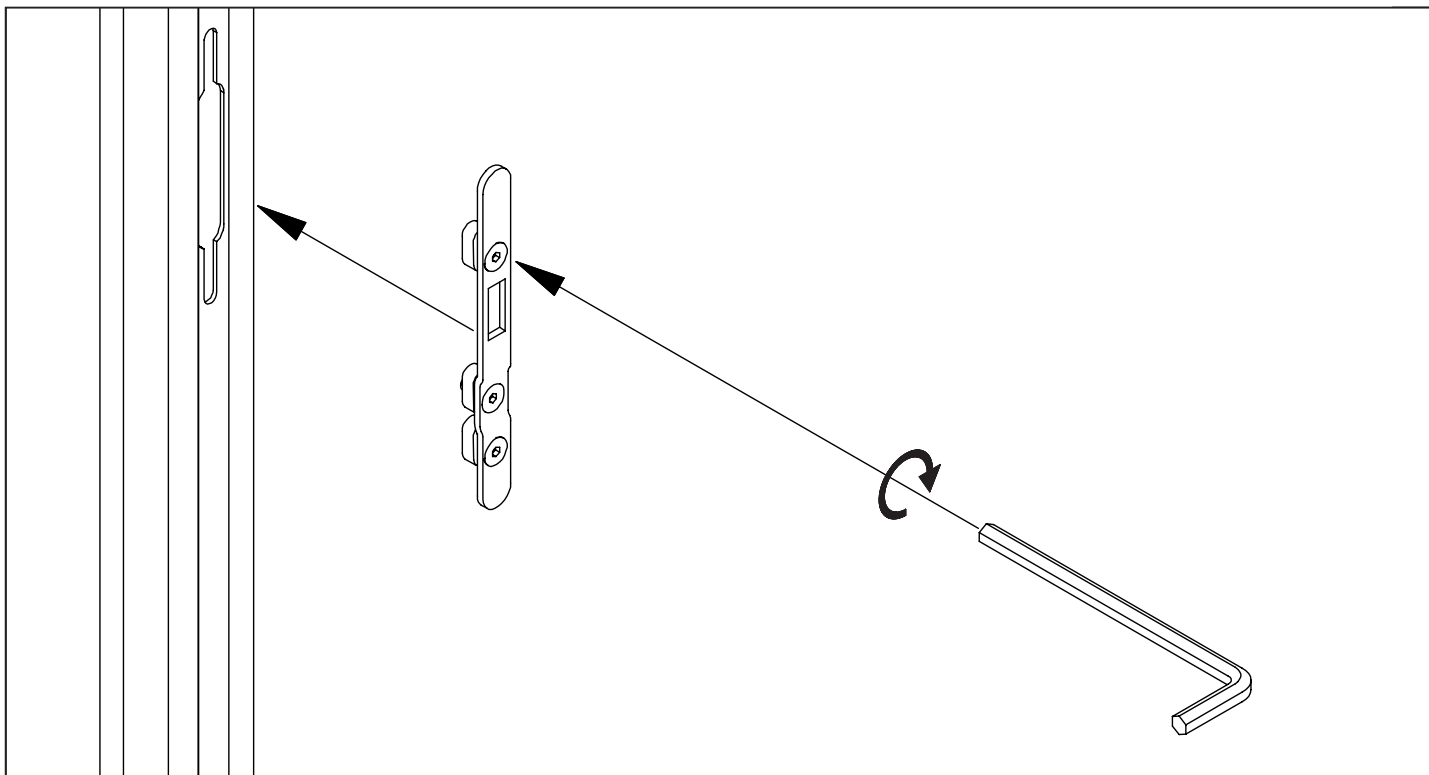
3\_ assembly profile cylinder / cross tip screwdriver



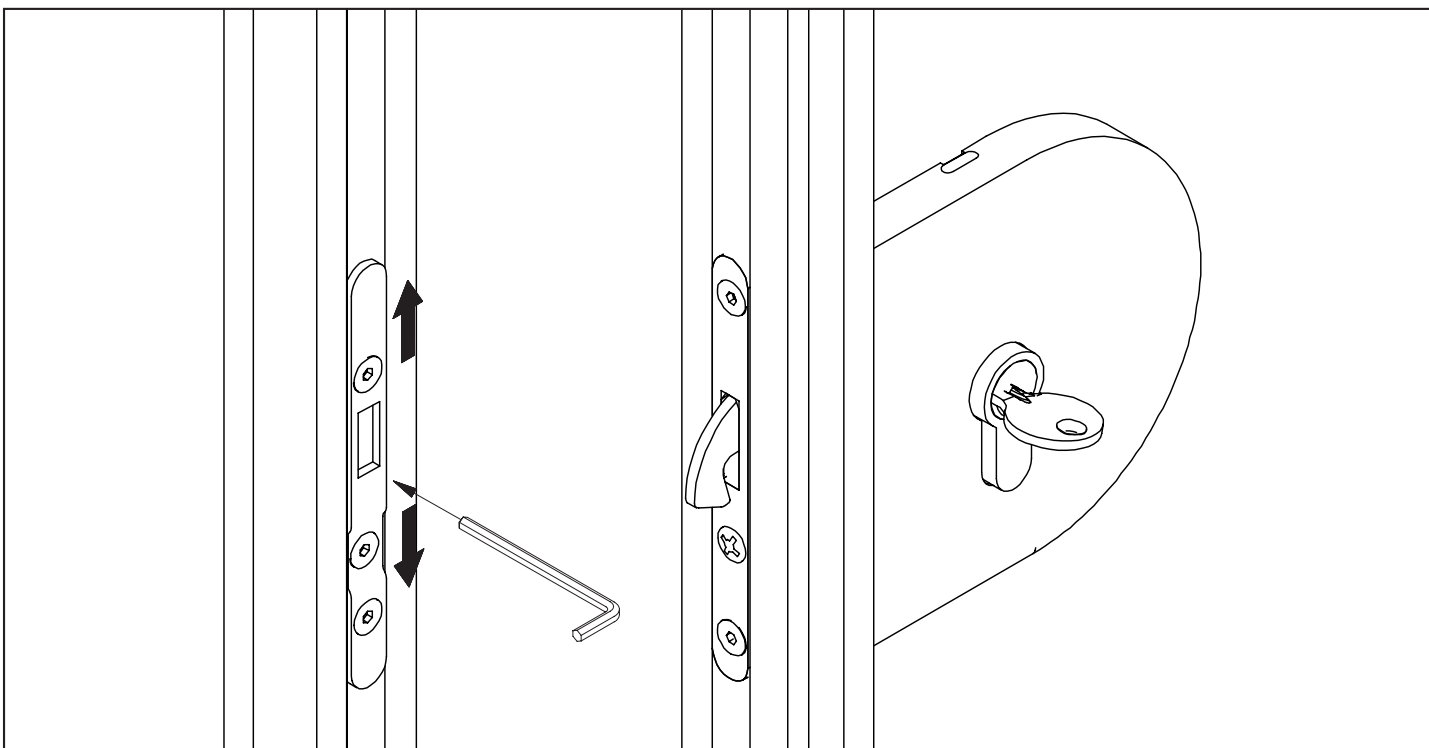
4\_ assembly faceplate / allen keys 2 mm



# ASSEMBLY INSTRUCTION

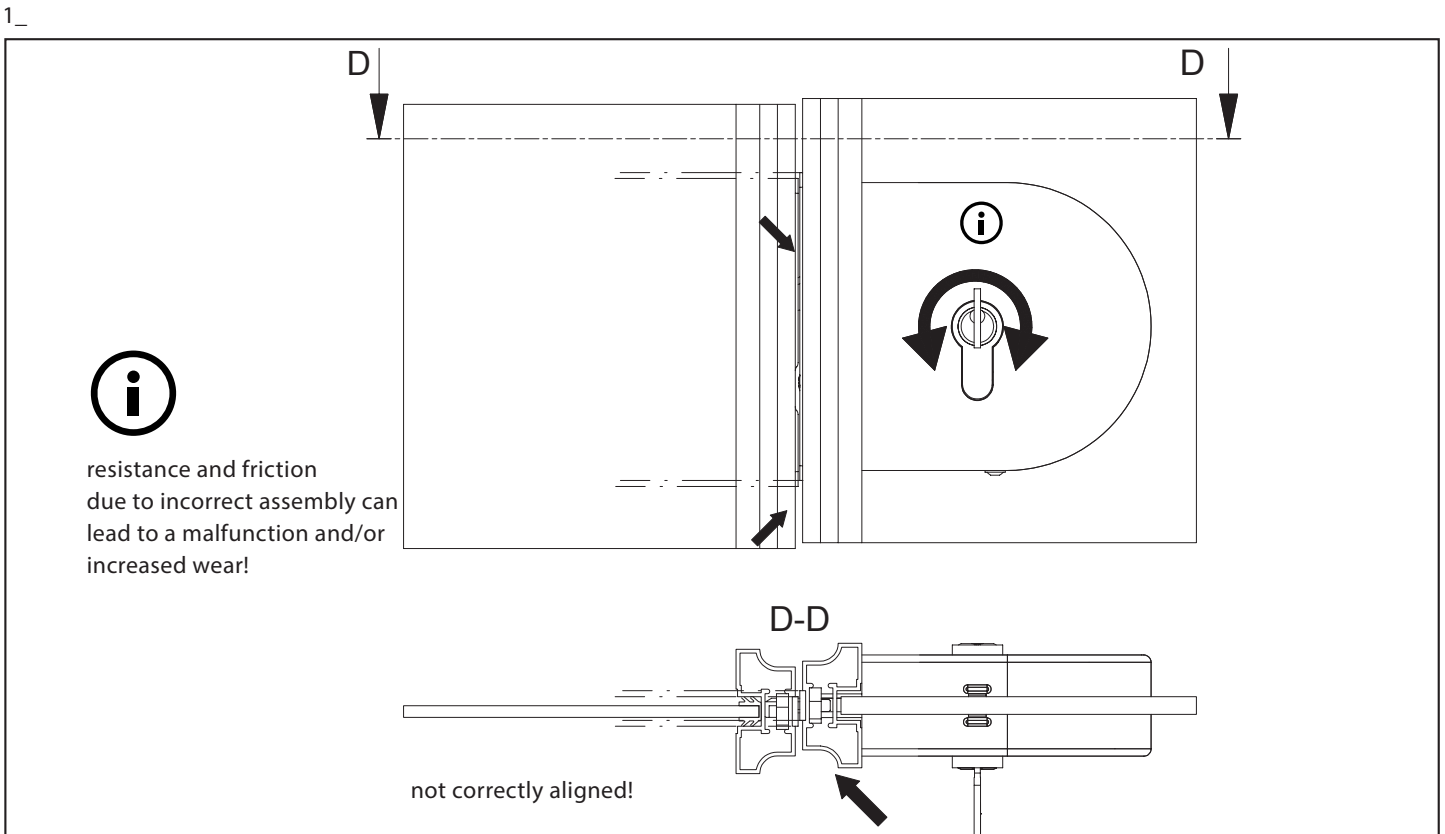
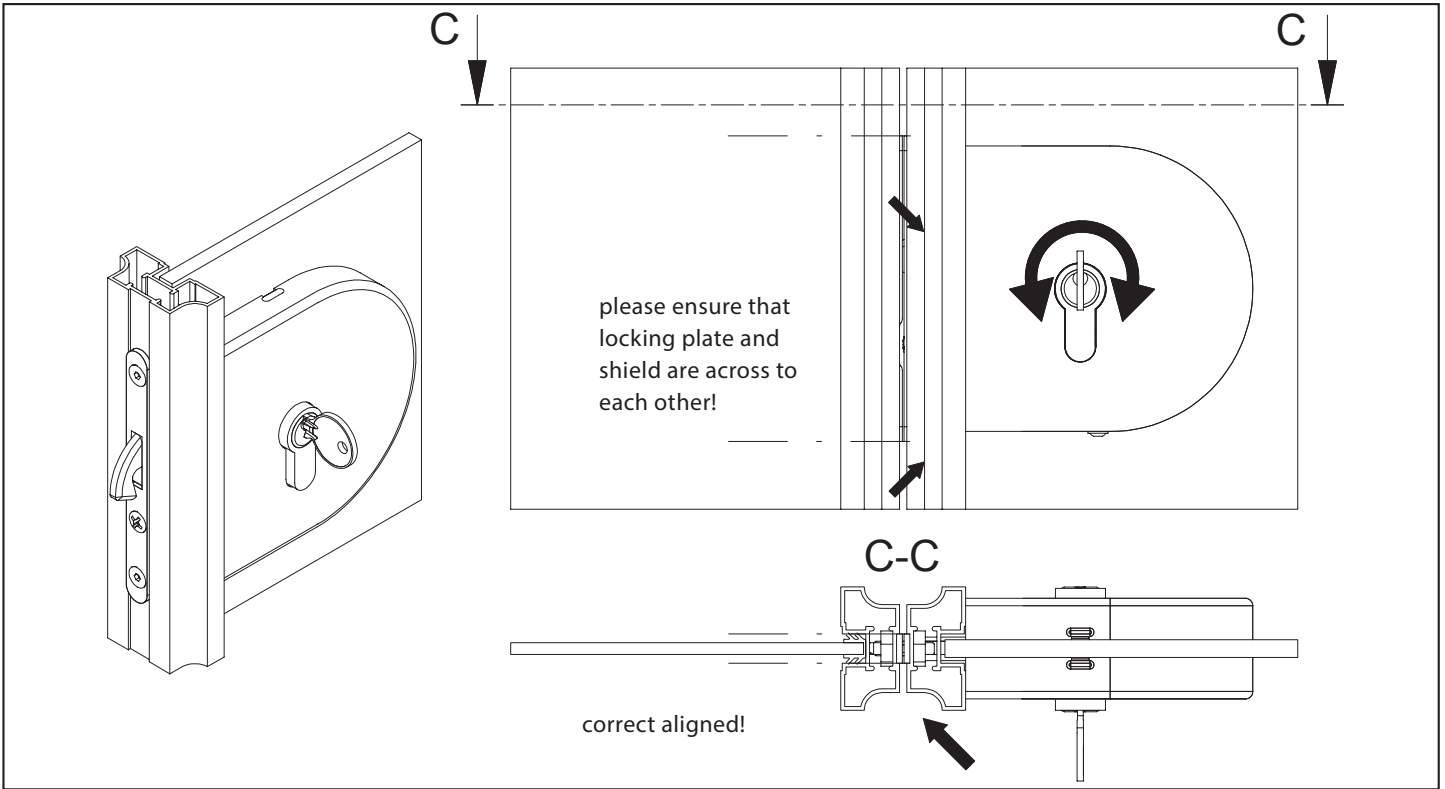


5\_ assembly lock panel / allen keys 2,5 mm

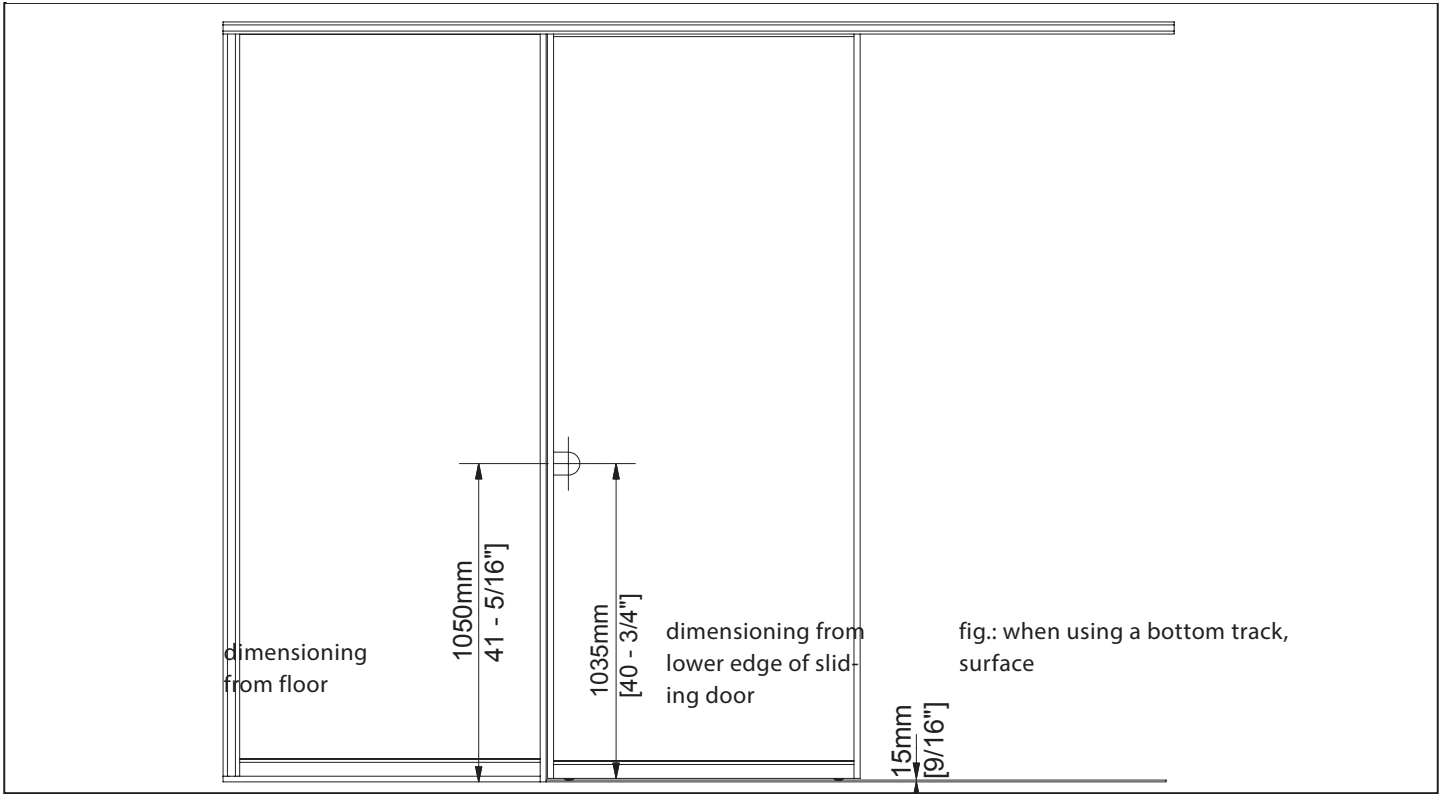


6\_ lock panel position / allen keys 2,5 mm

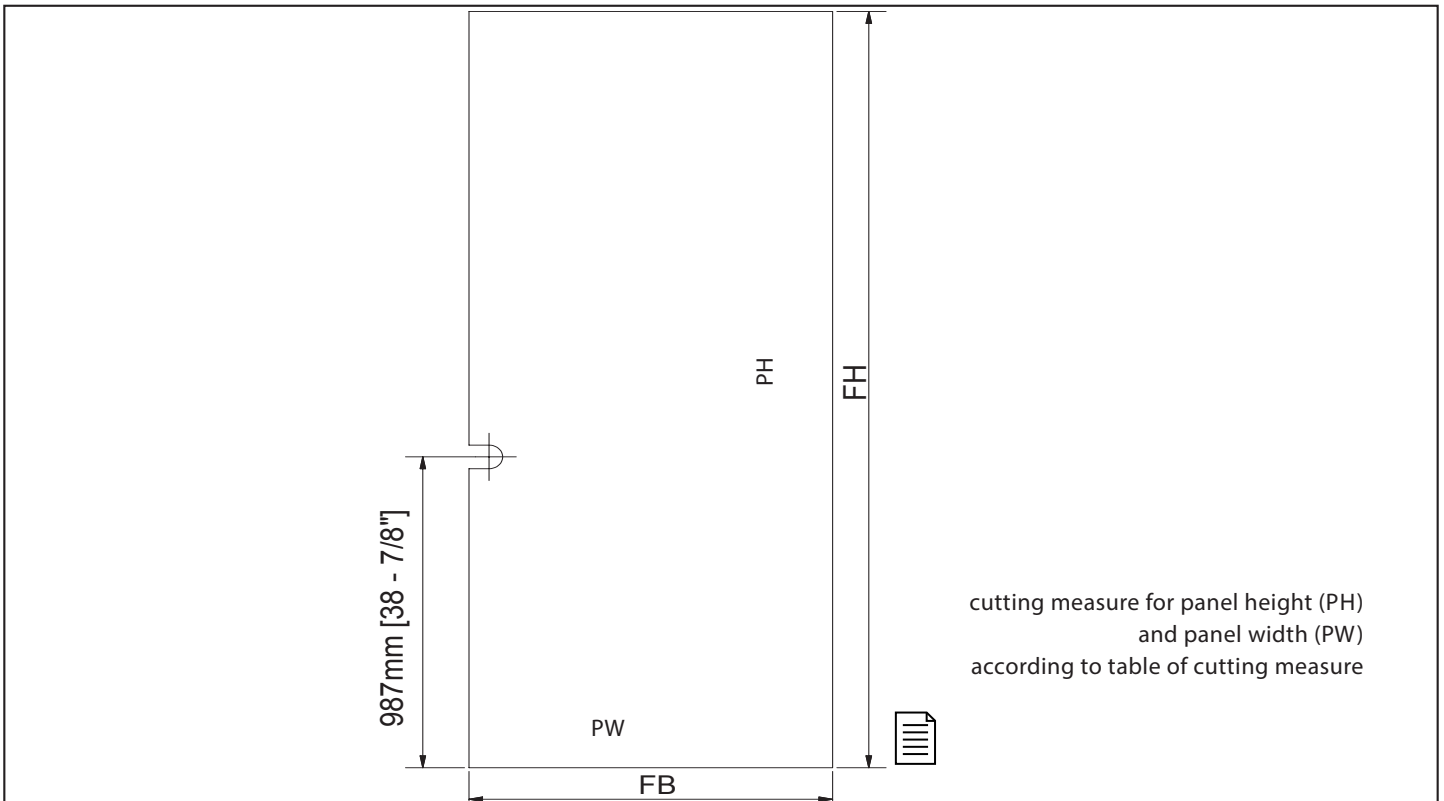
# FUNCTION TEST



# ASSEMBLY INSTRUCTION



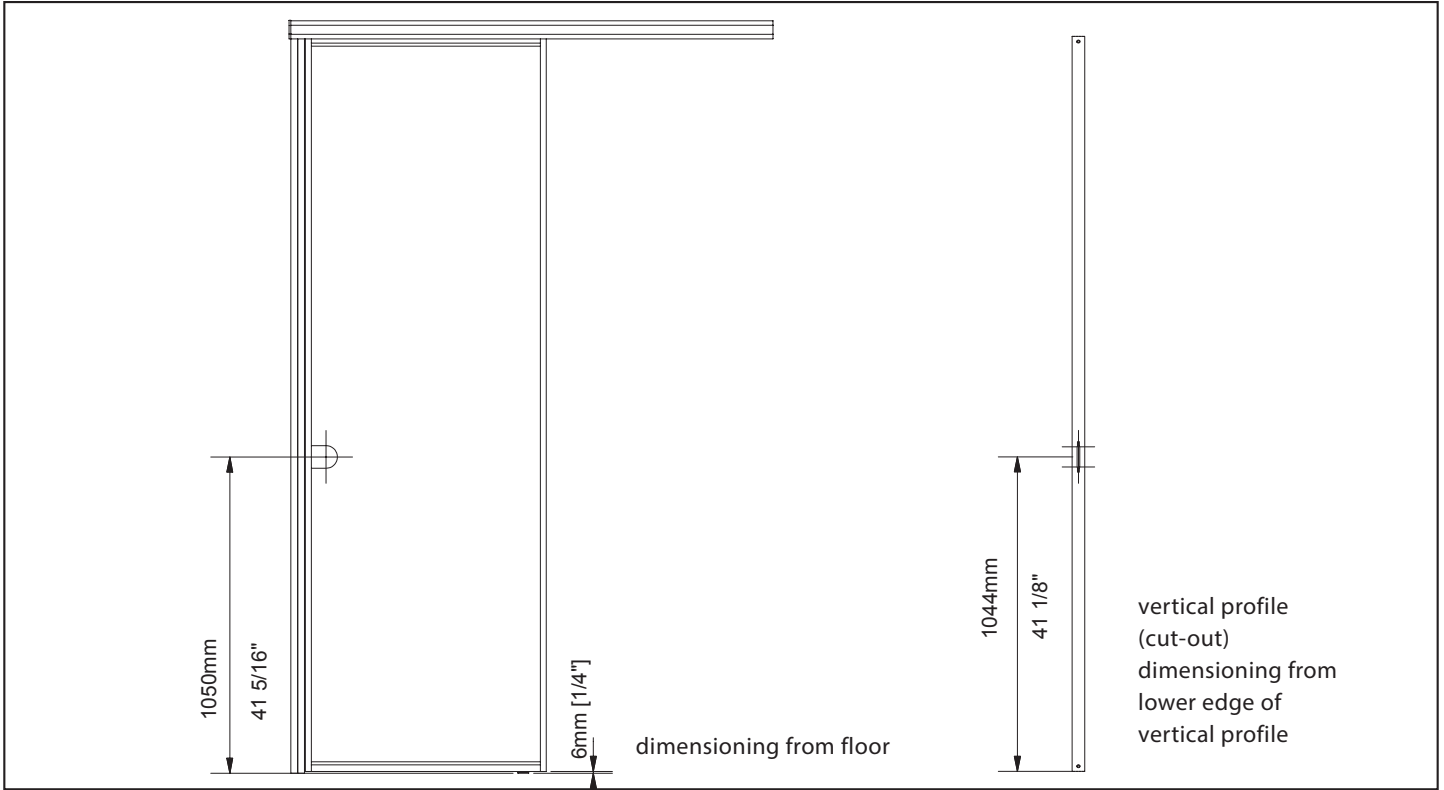
1\_ example of use S1500 sliding door at fixed panel



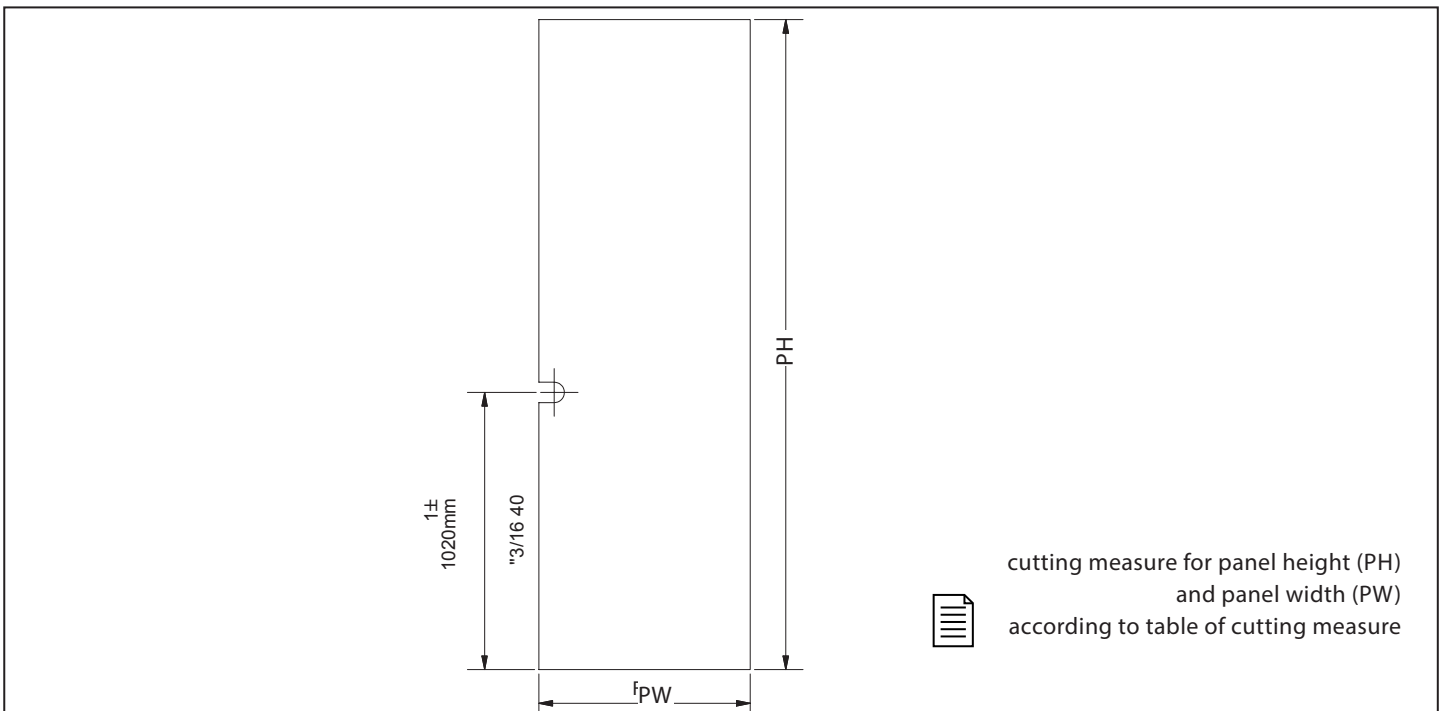
2\_ position of cut-out for lock in panel of sliding door

# ASSEMBLY INSTRUCTION

## SYSTEM AIR POSITION OF CUT-OUT



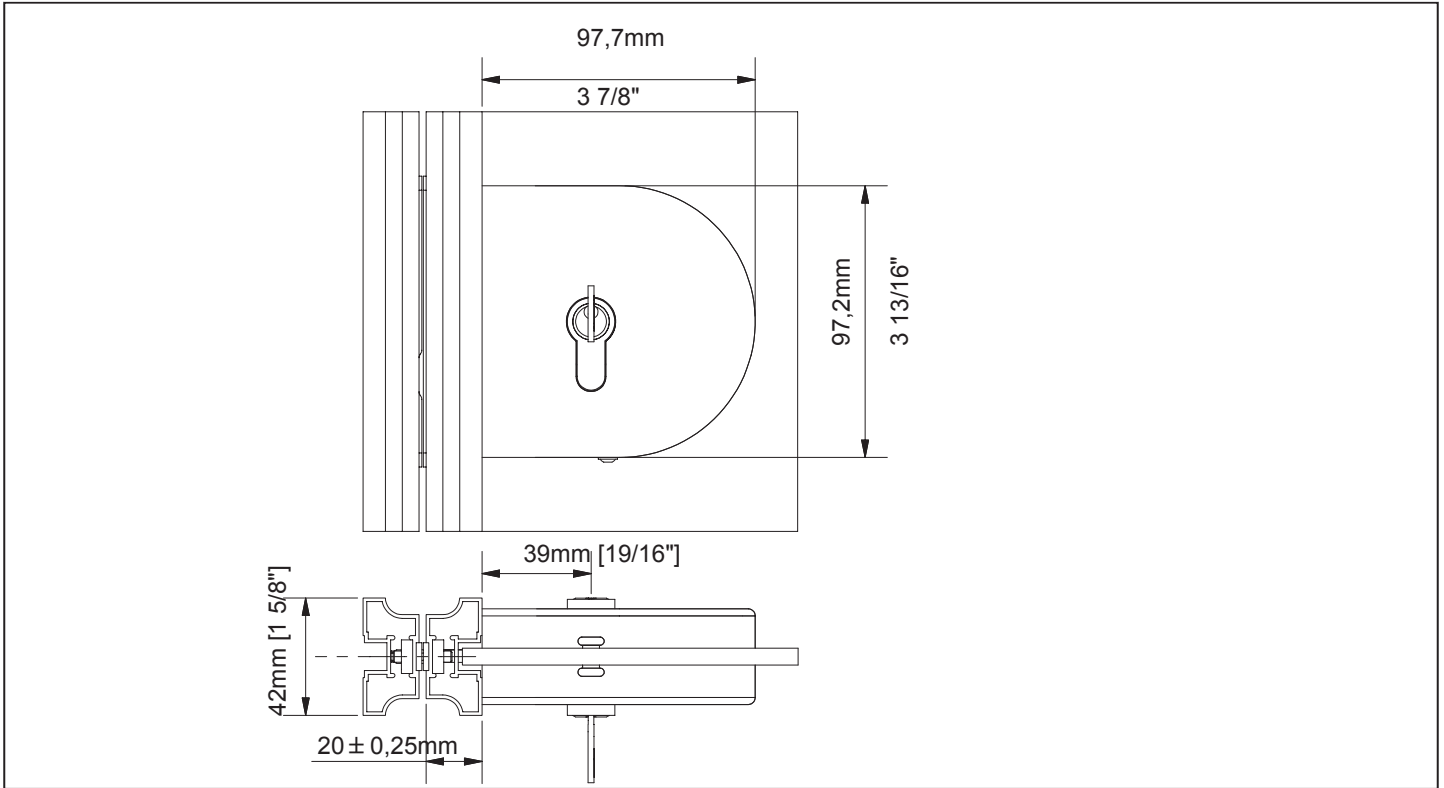
3\_ System AIR S1500, stile, position of cut-out in ( figure right side)



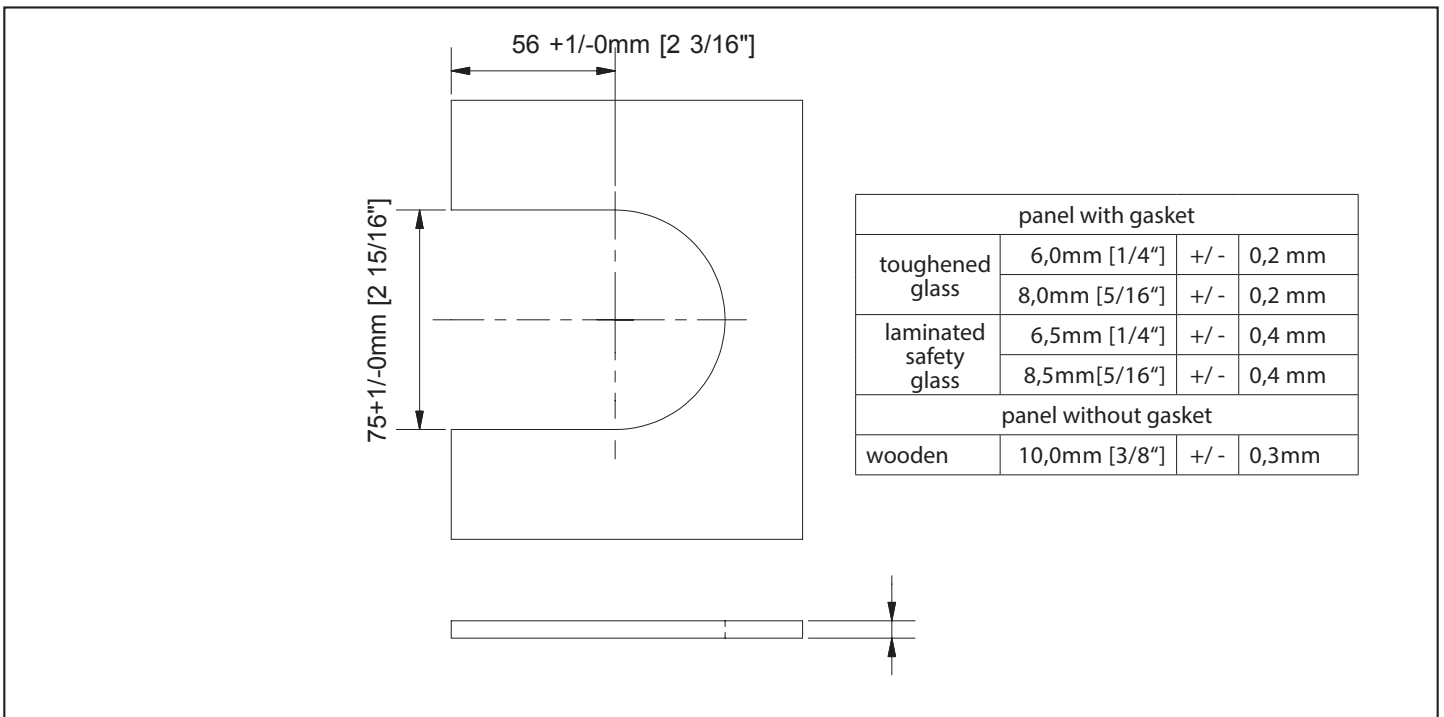
4\_ System AIR, panel, position of cut-out for lock

# ASSEMBLY INSTRUCTION

## LOCK S1500 PANEL CUT OUT MEASUREMENTS



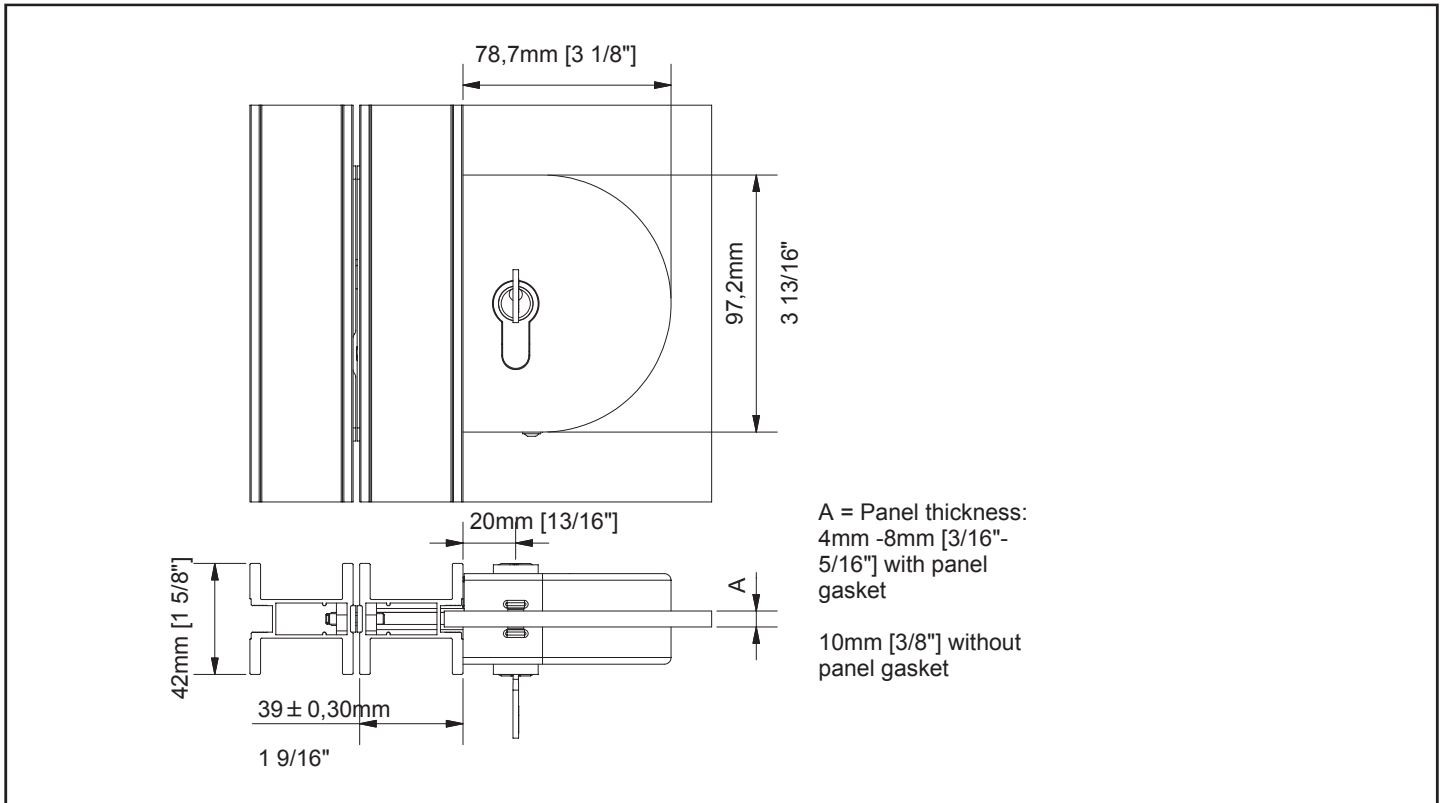
5\_ lock S1500



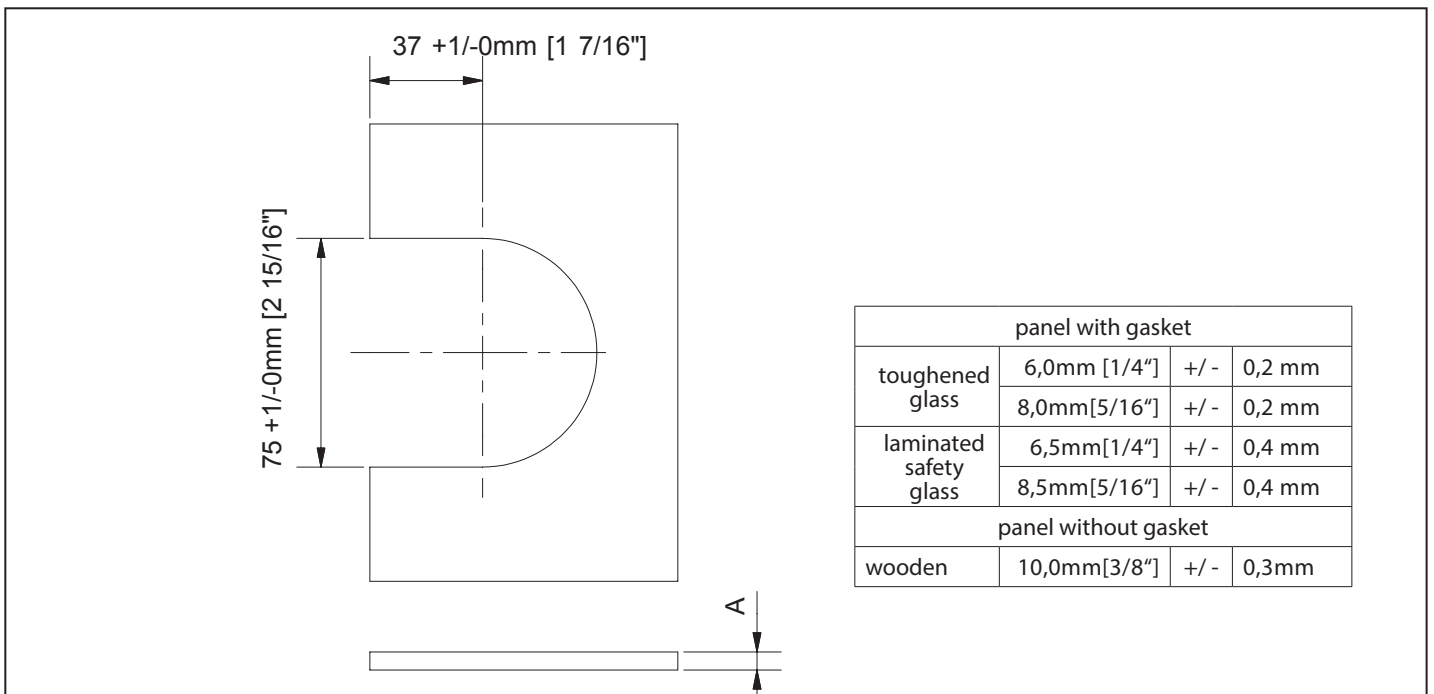
6\_ S1500 panel cut out measurements

# ASSEMBLY INSTRUCTION

## LOCK S3000 PANEL CUT OUT MEASUREMENTS



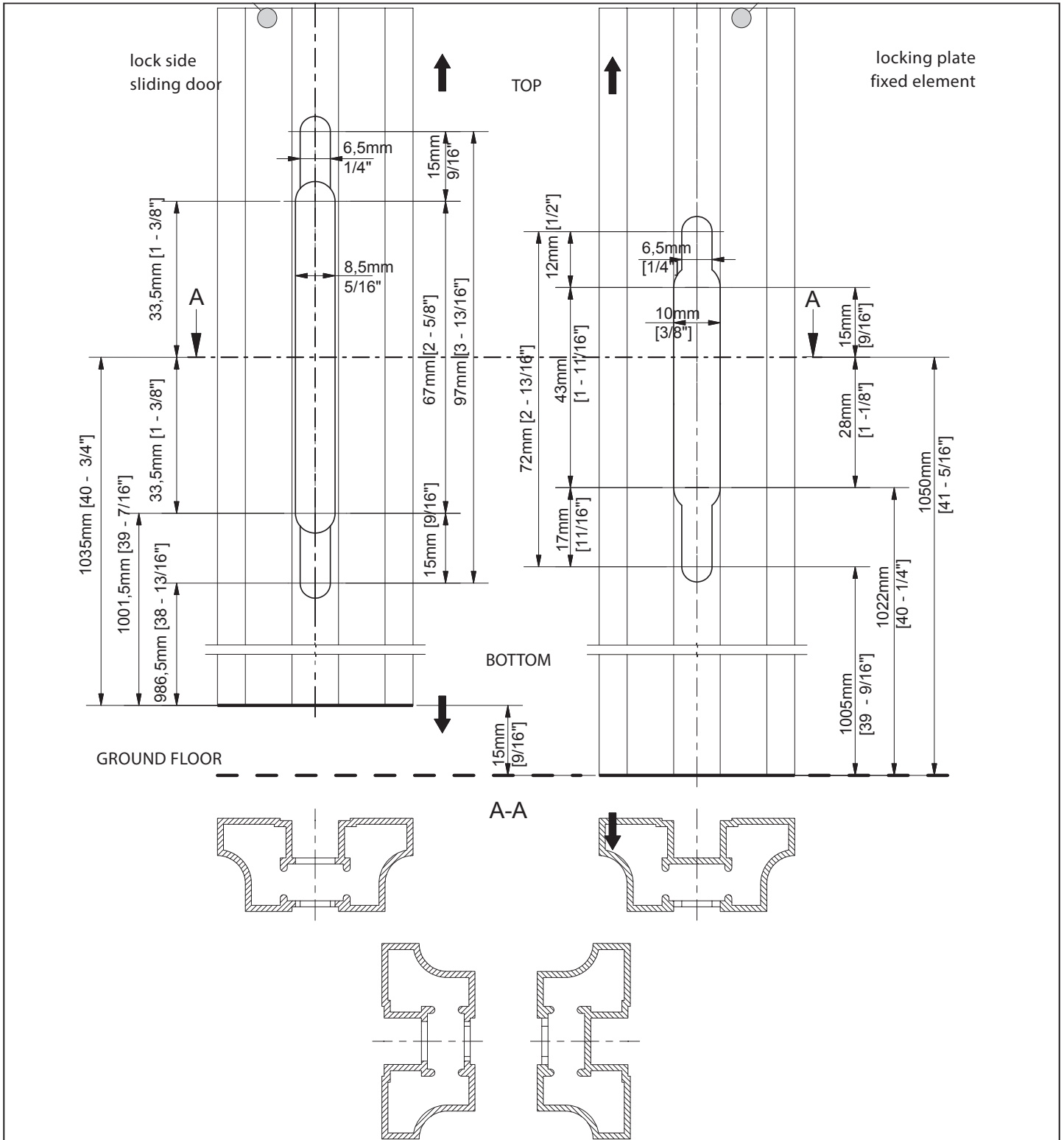
7\_lock S3000



8\_ S3000 panel cut out measurements

# ASSEMBLY INSTRUCTION

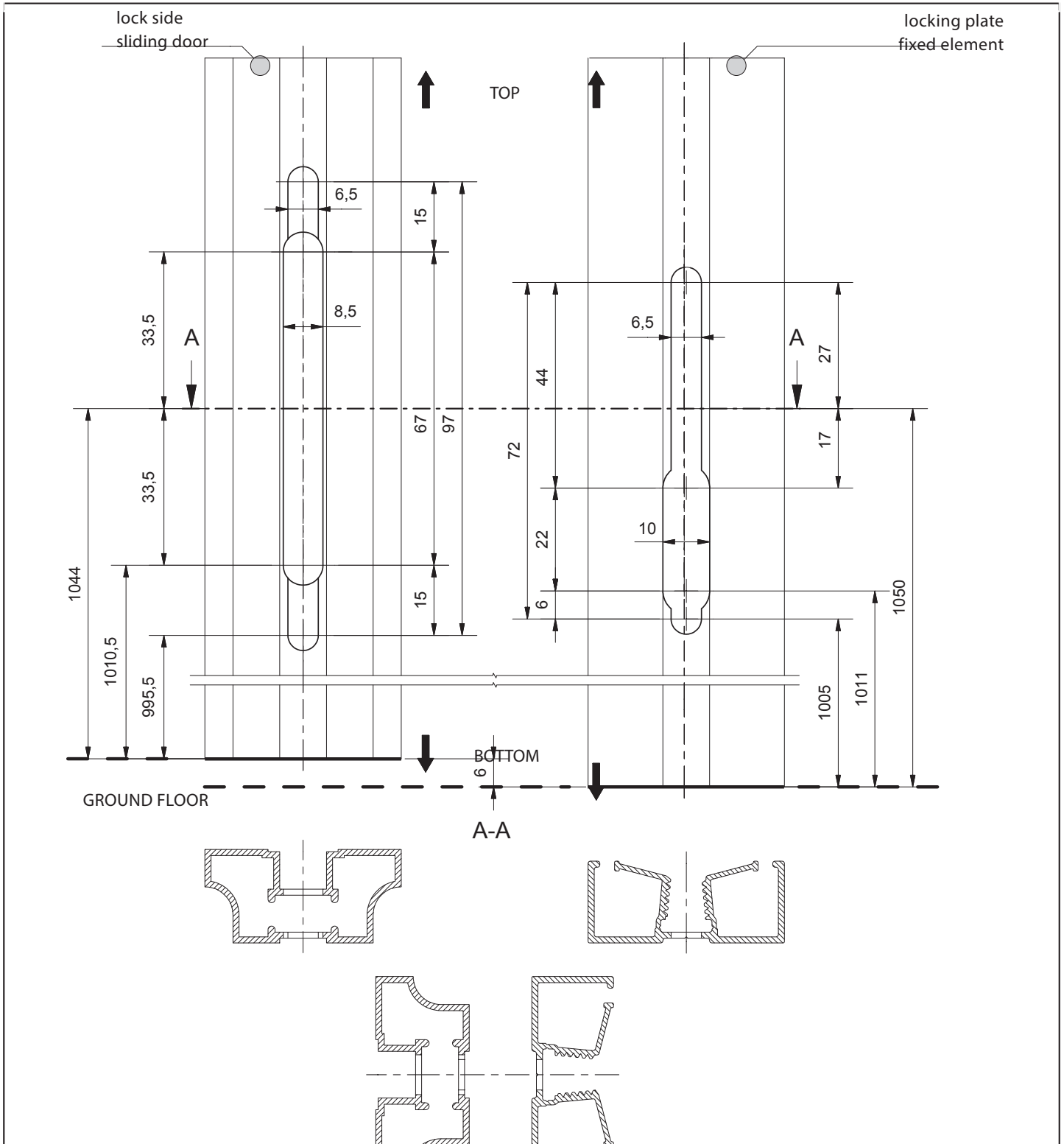
## MILLING PATTERN SLIDING DOOR S1500 / S3000



9\_lock S1500 / S3000 sliding door at fixed element, milling pattern lock side and locking plate side

# ASSEMBLY INSTRUCTION

## MILLING PATTERN SYSTEM AIR S1500 / S3000

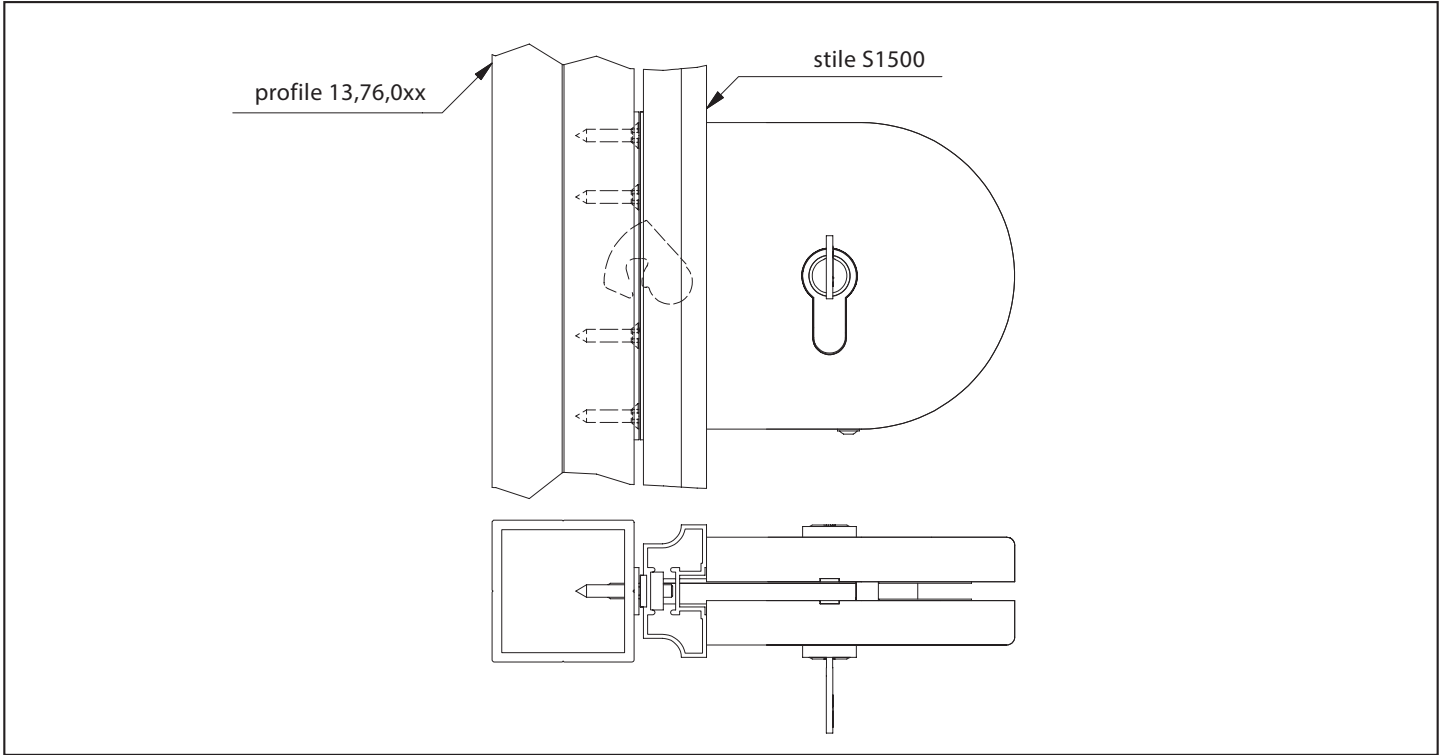


10\_ lock System AIR S1500 / S3000 at wall connection (equal fixed element), milling pattern lock side and locking plate side

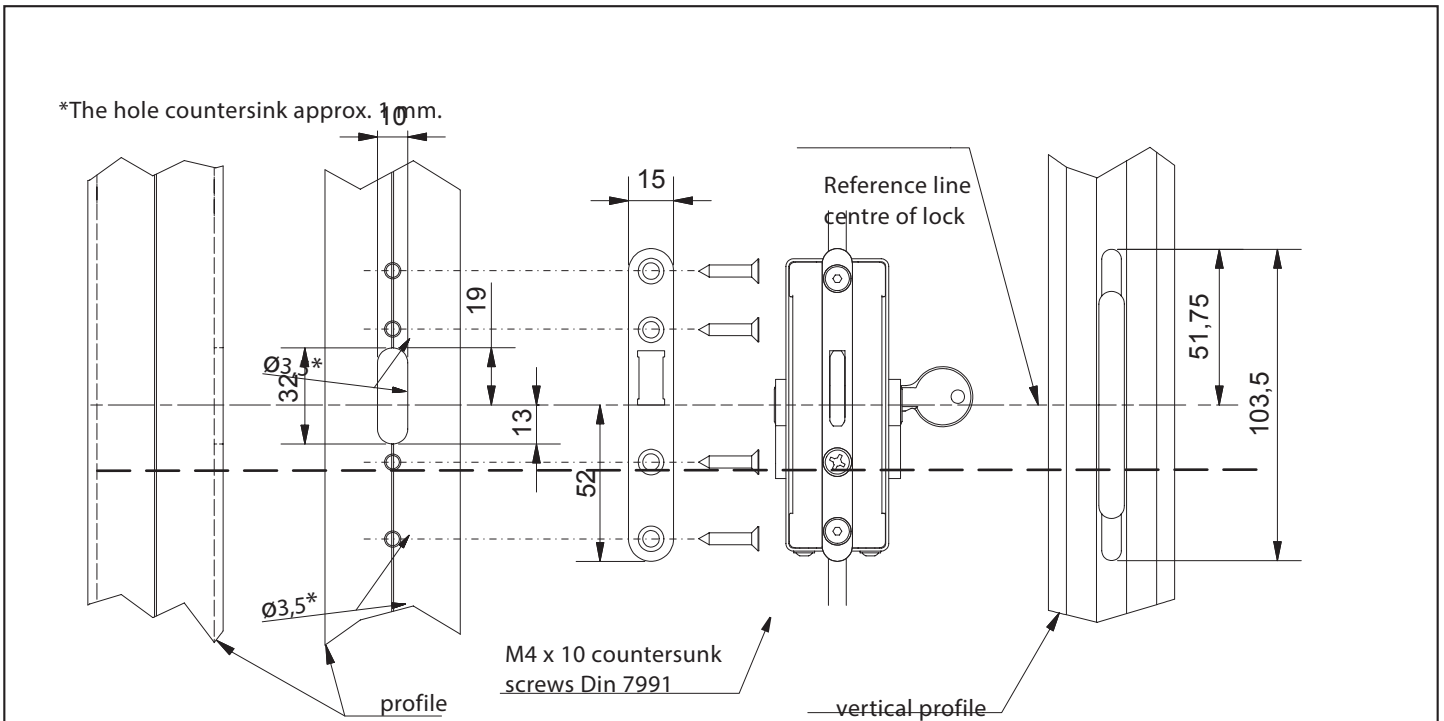


# ASSEMBLY INSTRUCTION

## LOCKING PLATE AT PROFILE 13.76.0xx



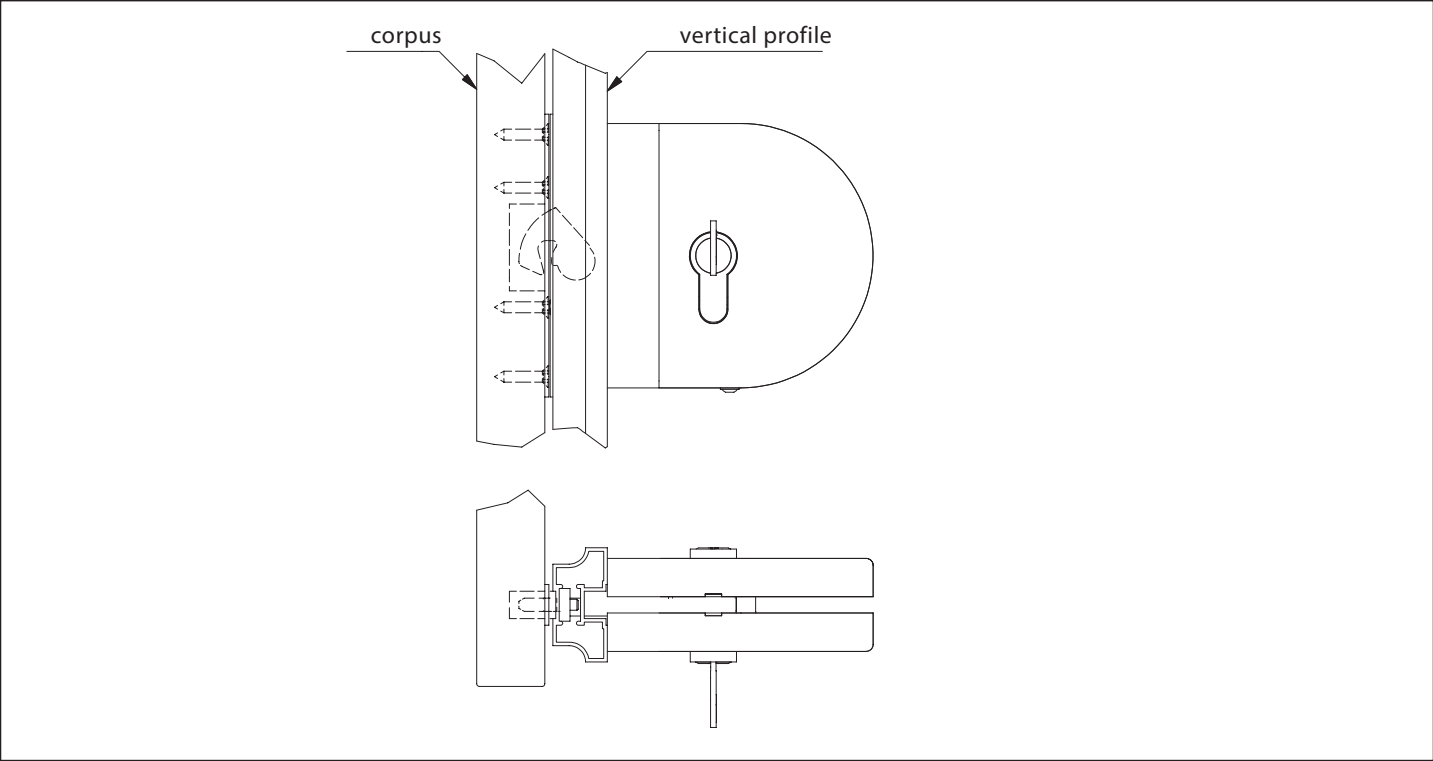
11\_ S1500 and S3000 locking plate at profile 13.76.0xx



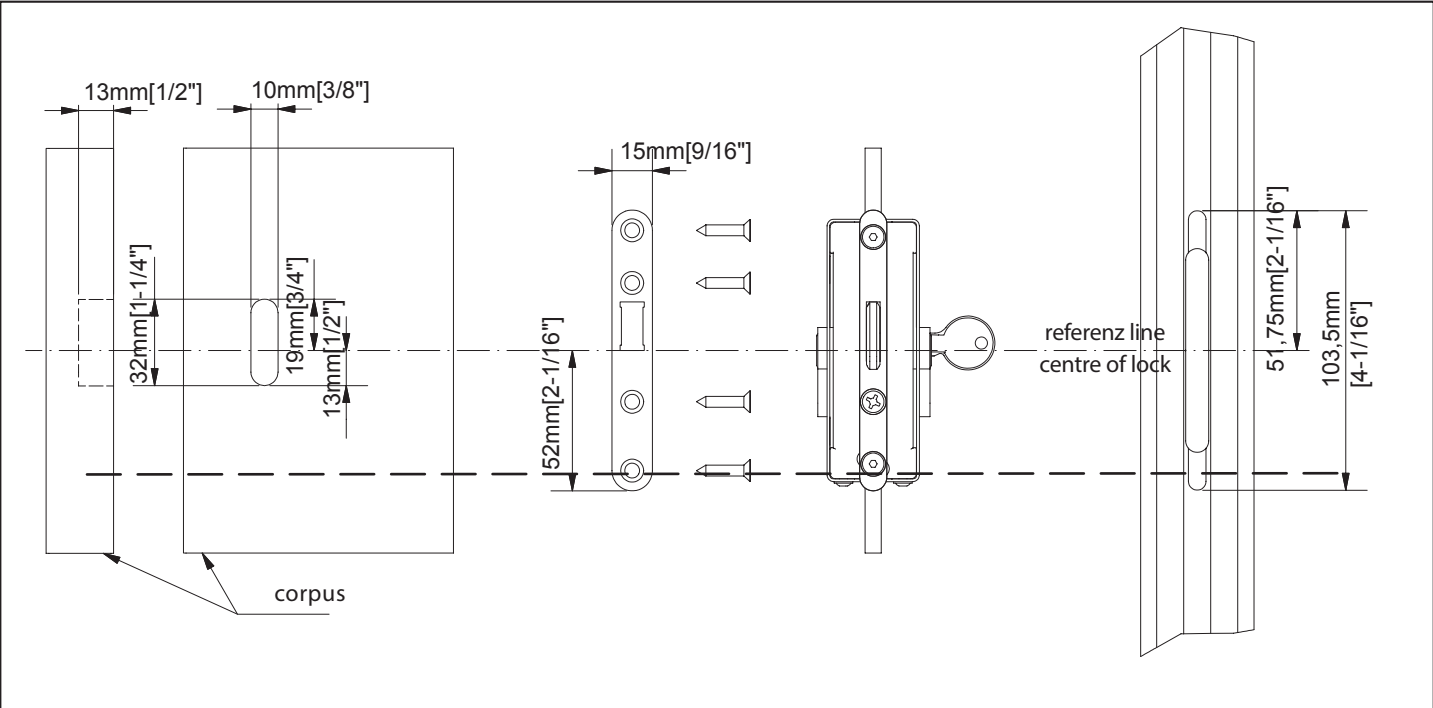
12\_ S1500 and S3000 locking plate at profile

# ASSEMBLY INSTRUCTION

## LOCKING PLATE AT CORPUS



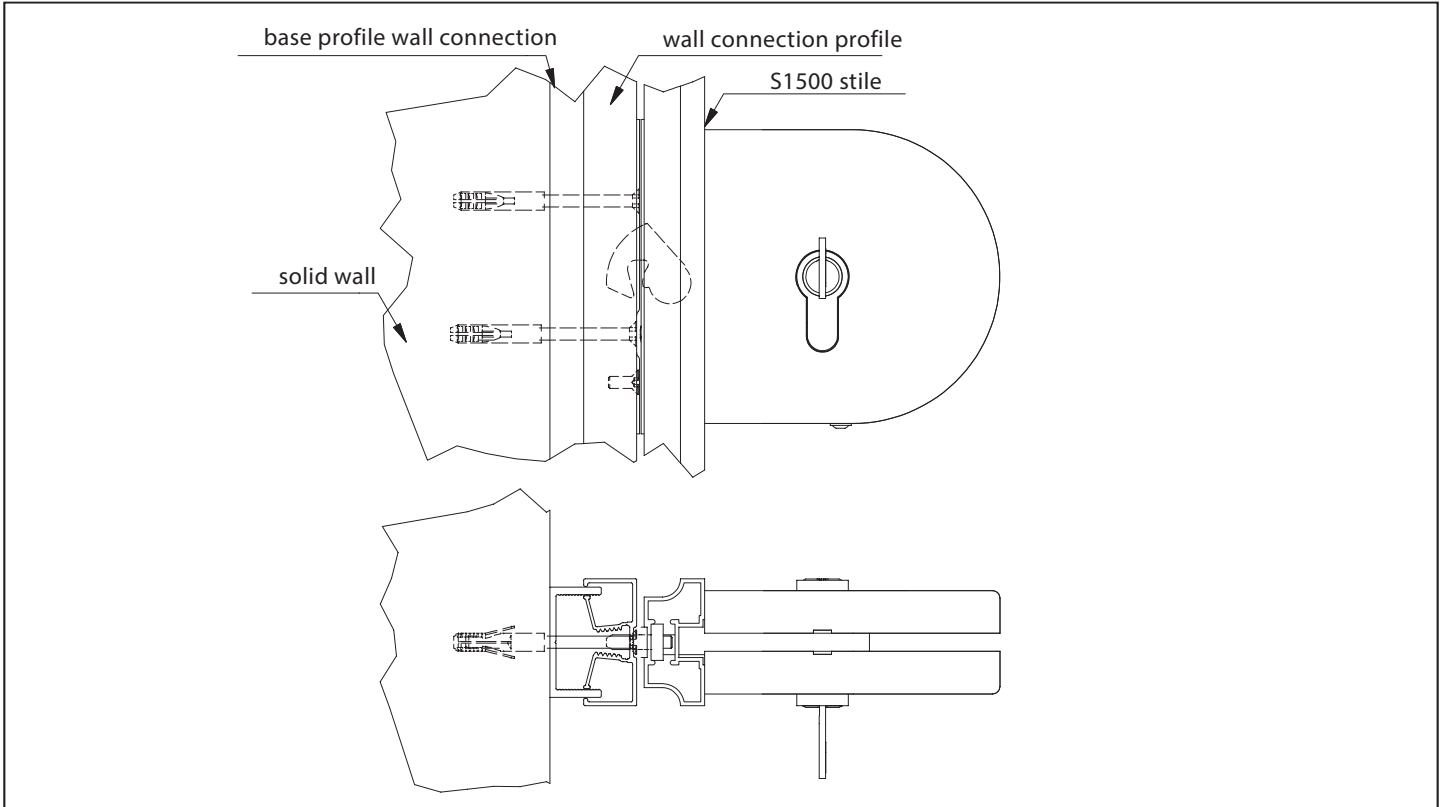
13\_ S1500 / S3000 locking plate at corpus



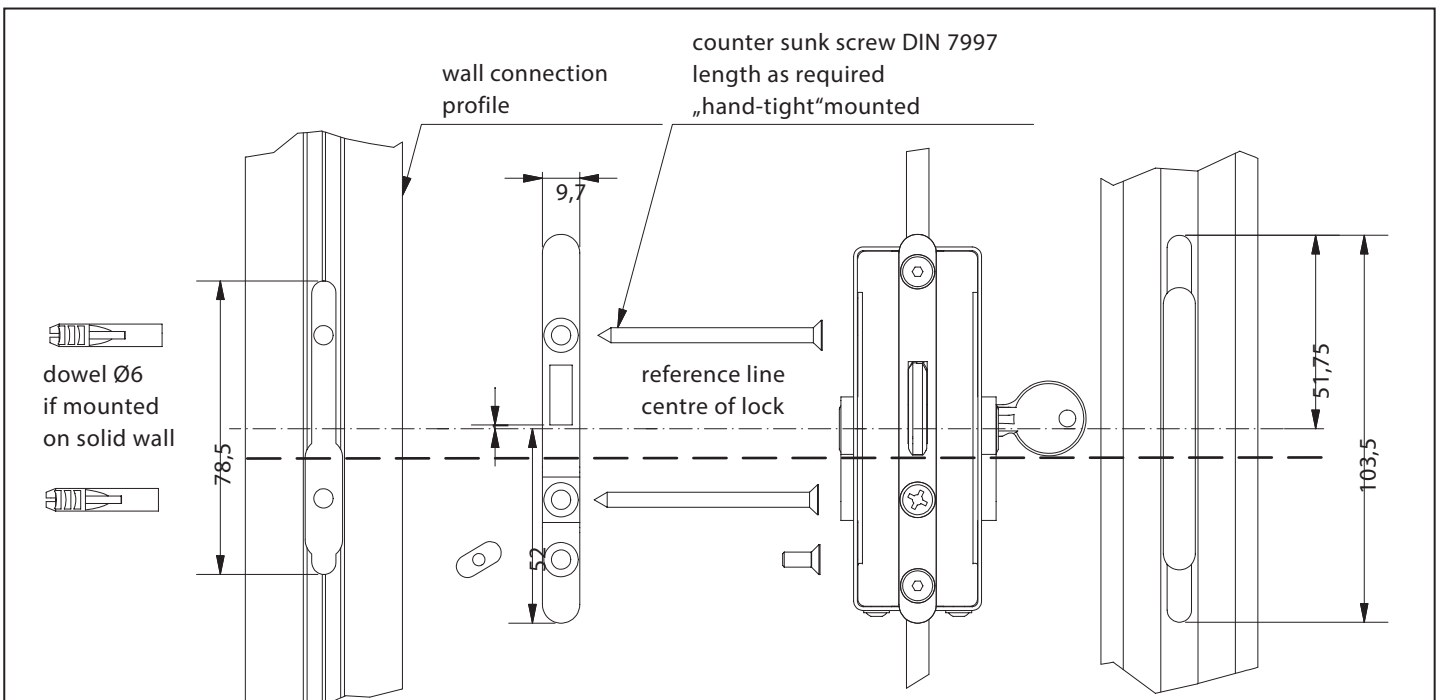
14\_ S1500 / S3000 locking plate at corpus

# ASSEMBLY INSTRUCTION

## LOCKING PLATE AT WALL CONNECT PROFILE



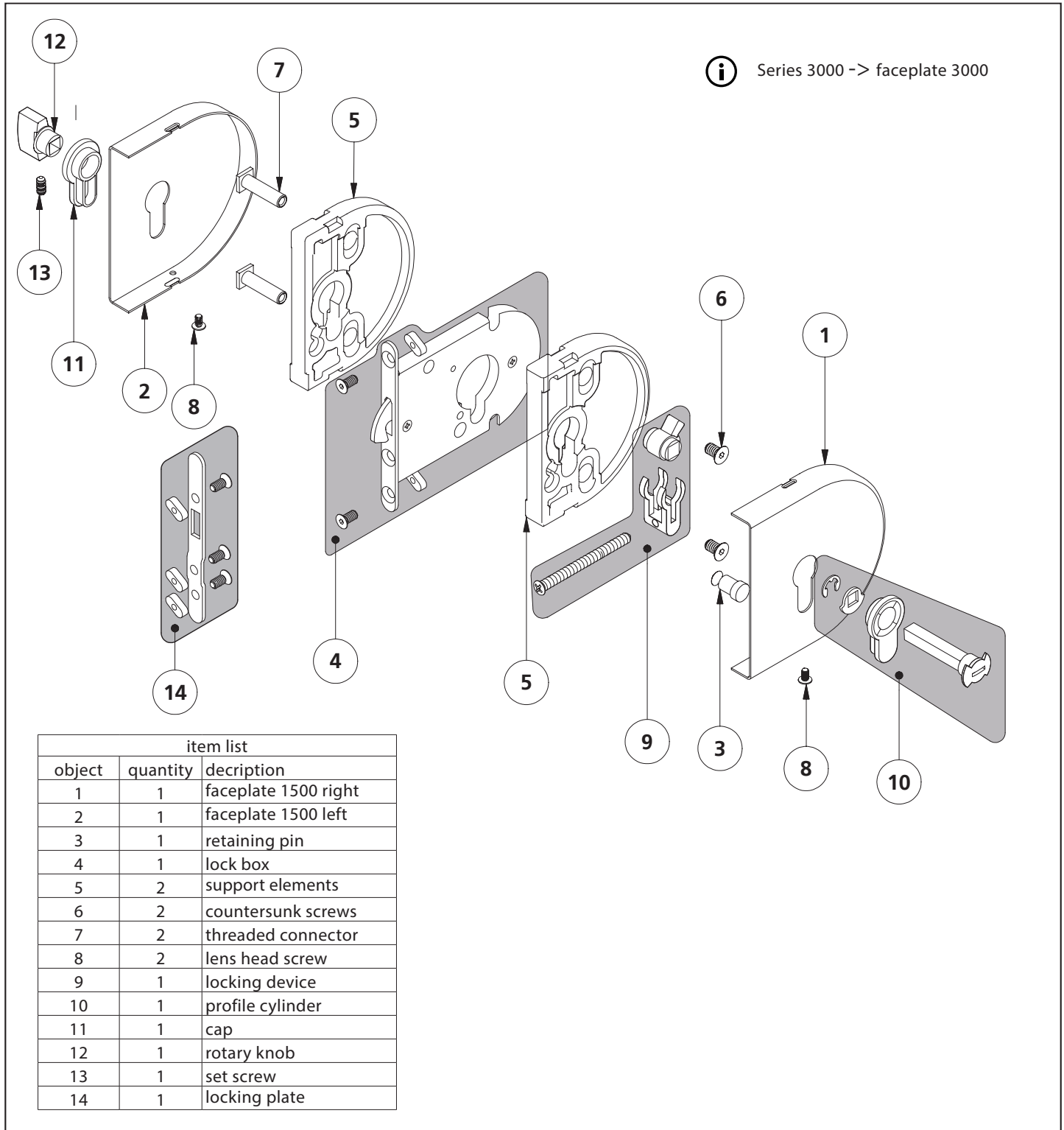
15\_ S1500 / S3000 locking plate at wall connect profile - solid wall



16\_ S1500 / S3000 locking plate at wall connection profile - solid wall

# DETAILED DRAWING

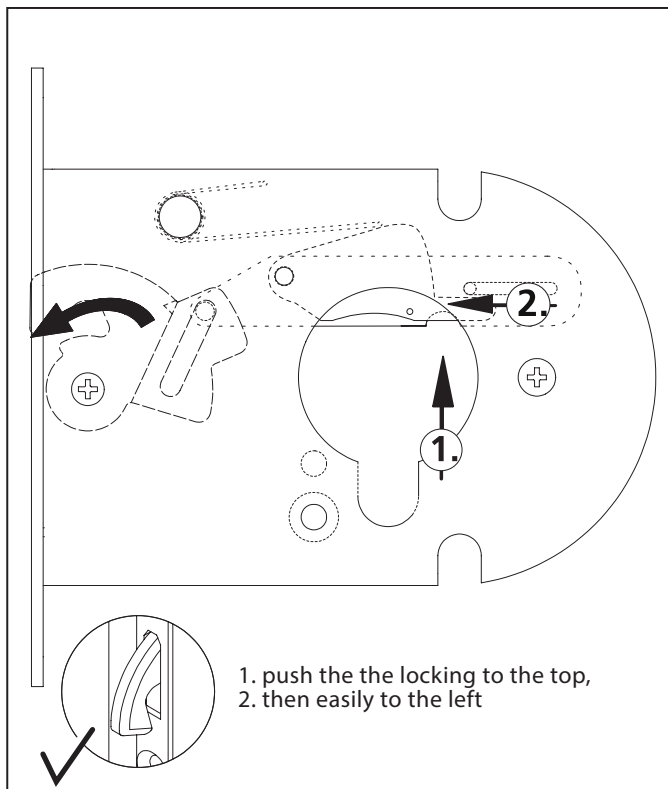
## DOOR KNOB WITH RED / GREEN INDICATOR



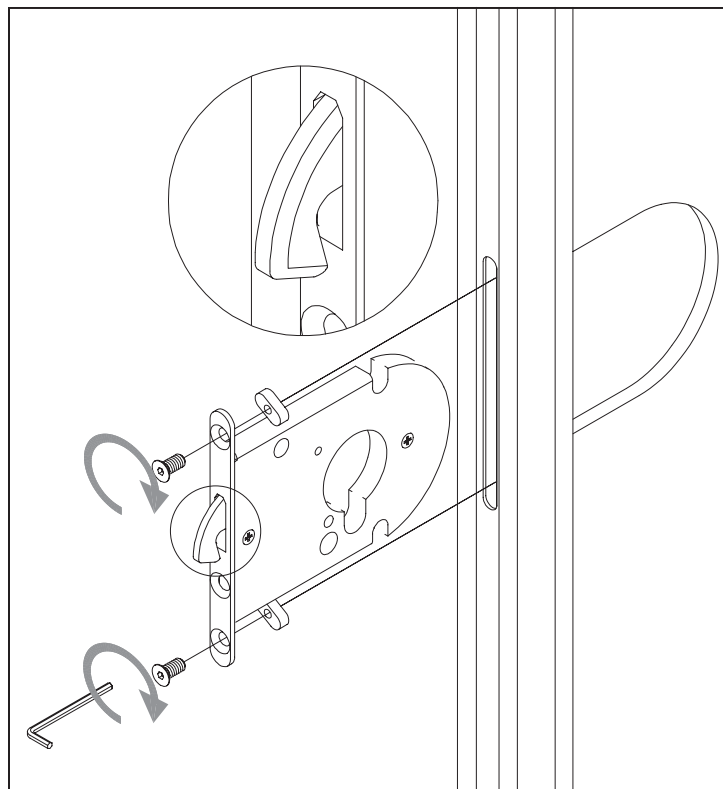
1\_ S1500 / S3000 turning bolt lock bathroom

# ASSEMBLY INSTRUCTION

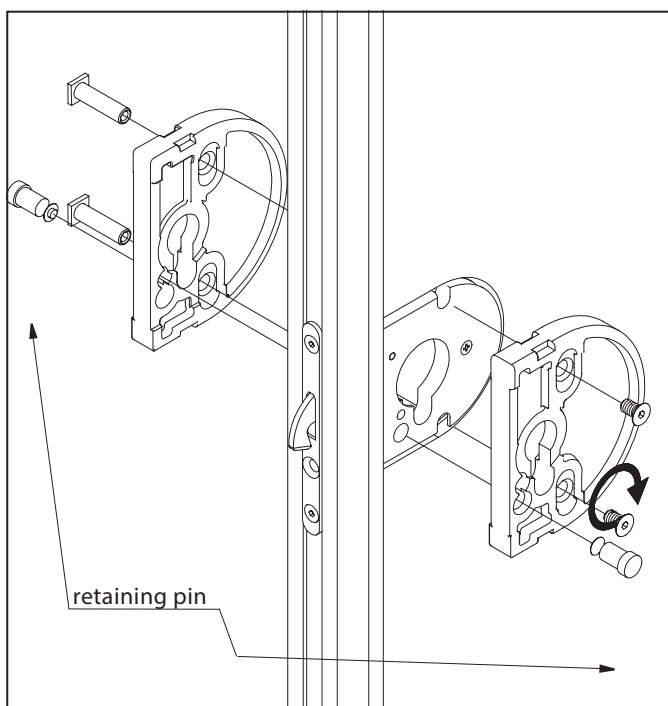
## TURNING BOLT LOCK BATHROOM



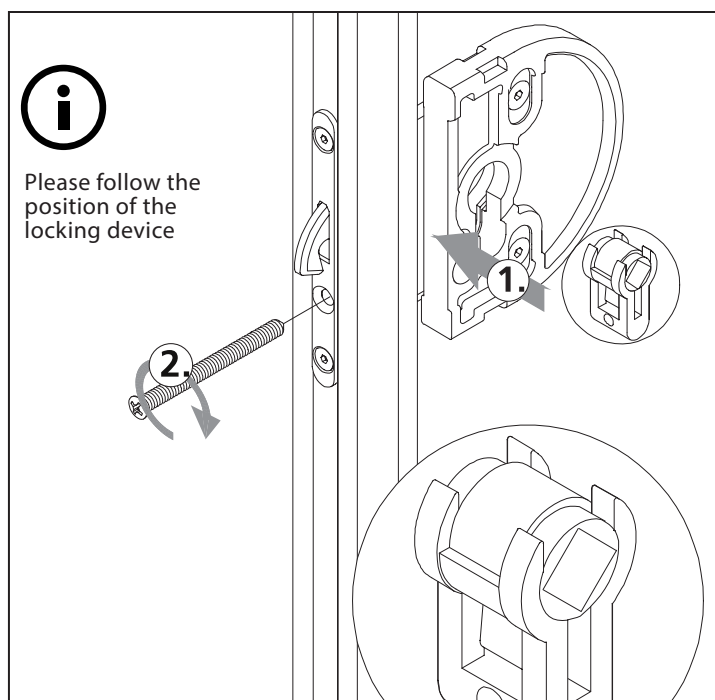
1\_ assembly lock box / allen keys 2,5 mm



2\_ assembly lock box / allen keys 2,5 mm



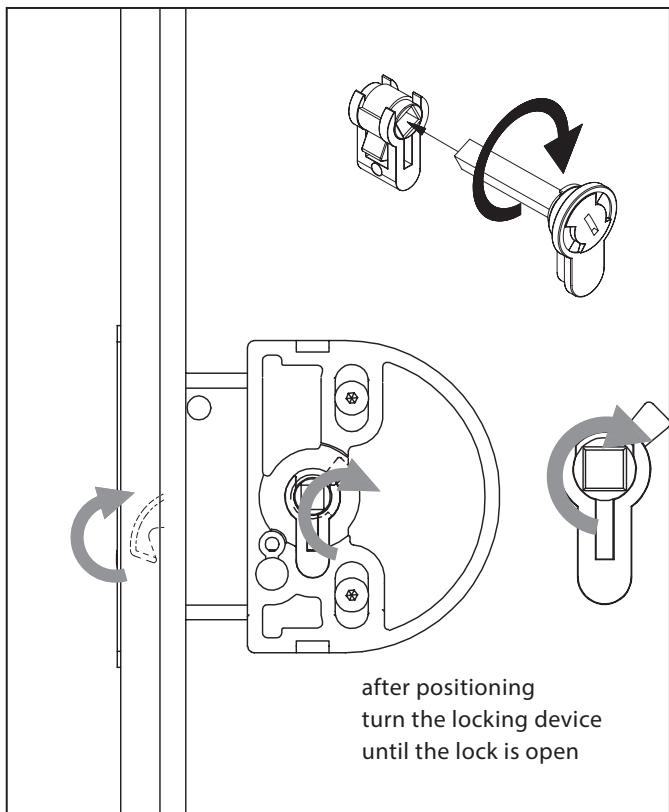
3\_ assembly support elements / allen keys 3 mm



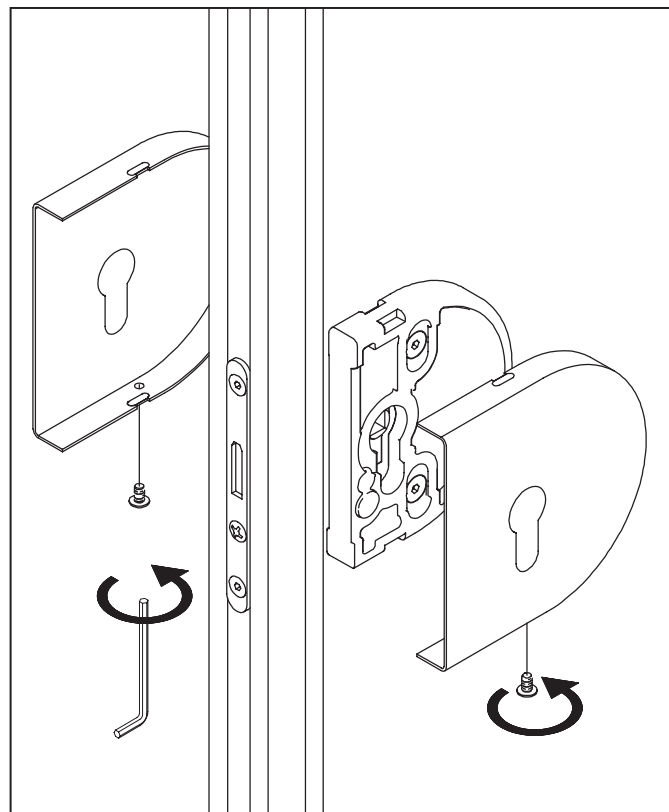
4\_ fix the locking device / cross tip screwdriver

# ASSEMBLY INSTRUCTION

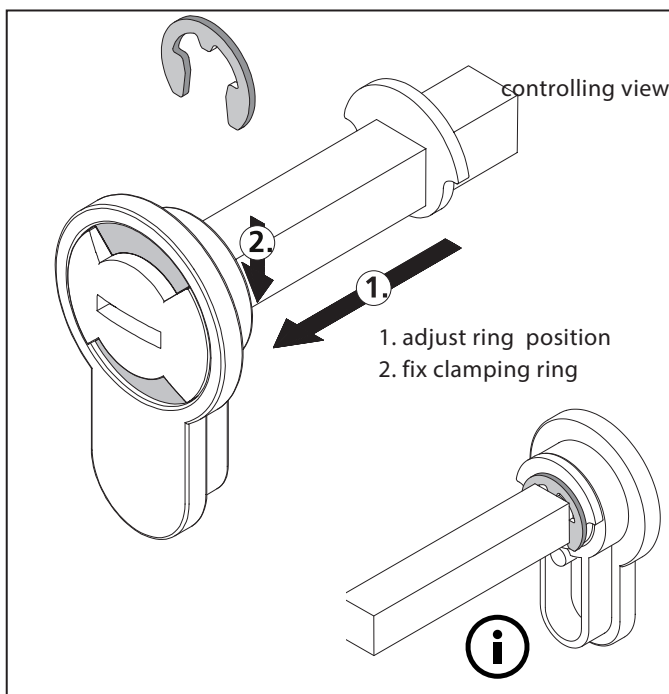
## TURNING BOLT LOCK BATHROOM



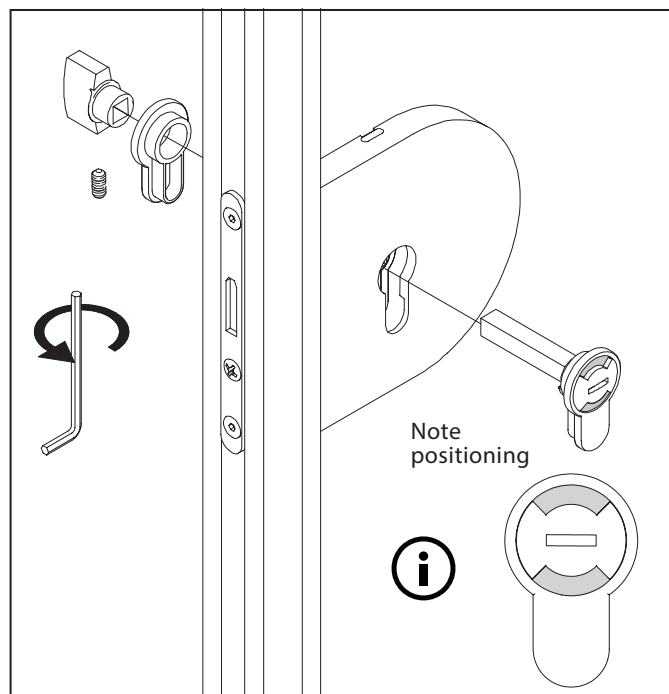
6\_ locking device positioning



5\_ assembly faceplate / allen key 2 mm



7\_ keep in mind the locking position



8\_ assembly bathroom turn and release / allen key 2 mm



