

SLIDING DOOR SYSTEM: INSTALLATION INSTRUCTIONS

AIR SYSTEM WITH VALANCE FOR SYNCHRON DRIVE 2

INDEX

General information / Tools_ page 3

Technical terms_ page 4-5

_ Hardware and accessories for AIR System with valance

_ Synchron fitting set

Preparation_ page 5

Assembly / Installation_ page 5-8

A_ Installing the top roller fitting

B_ Installing the door connectors

C_ Inserting the top roller and deflection unit into the track profile

D_ Mounting the stoppers and roller brakes

E_ Hanging the door

Assembly synchron drive 2_ page 9

Detail drawings_ page 10-12

GENERAL INFORMATION / TOOLS

GENERAL INFORMATION

Preparation:

We recommend reading these instructions before starting.

Carefully unpack and check all items before beginning assembly.

When transporting assembled doors; always lift at corners and lean doors on their side – never stand them upright as this may damage the top roller.

The high quality raumplus family of sliding door systems offers a wide range of possibilities.

Systems with or without bottom track, ceiling or wall mounted systems, corner solutions, locks, applied and true divided panels.

The "HOW TO INSTALL A SLIDING DOOR (AIR)" describes the process of installing an AIR top hung system.

For other instructions, please see:

INSTALLATION INSTRUCTIONS_AIR GANGING DEVICE

INSTALLATION INSTRUCTIONS_AIR BRAKE

HOW TO ASSEMBLE A SLIDING DOOR (AIR)

HOW TO INSTALL A SLIDING DOOR (S34 + S42)

HOW TO ASSEMBLE A SLIDING DOOR (S34 + S42)

For additional instructions see website www.raumplusna.com

Technical details are subject to change.

INFORMATION:

It is assumed that you have exactly identified all cutting dimensions according to the measurement instruction for raumplus-products.

max. door weight: 60kg [130 lbs]

TOOLS:

Cross tip screwdriver (Phillips)

Allen wrench 2mm, 4mm and 5mm

2 open ended wrenches (10mm and 13mm)

Drill 6mm, 3.5mm, 2.5mm drill bits

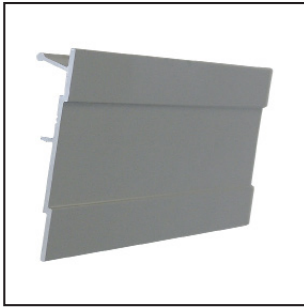
Rubber mallet

Metal saw

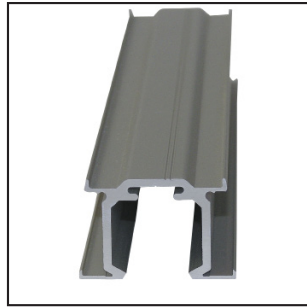
Shear

TECHNICAL TERMS

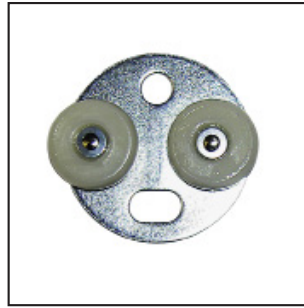
AIR SYSTEM:



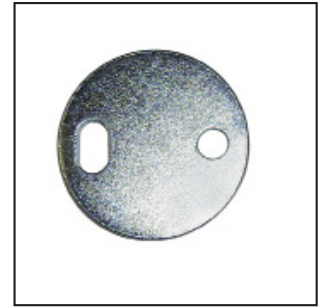
1_



2_



3_



4_



5_



6_



7_



8_



9_

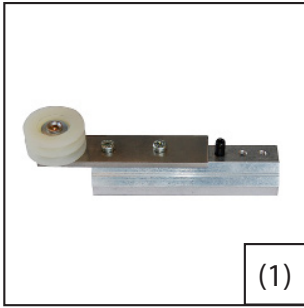


10_

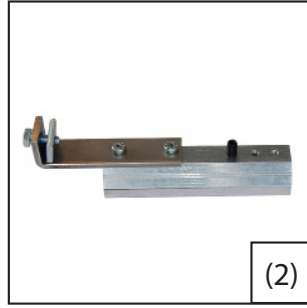
- 1_ Valance_ snaps onto the top track and covers the top track and rollers.
- 2_ AIR Top track_ ceiling-mounted or wall-mounted (requires L-bracket if wall-mounted the ceiling).
- 3_ Groundplate with roller_ fasten to ground and serves as a guide for the bottom of the door (wall guide optional).
- 4_ Groundplate without roller_ spacer beneath groundplate with roller (optional).
- 5_ Screw for L-bracket profile_ fastner for the AIR top track to L-bracket.
- 6_ Nut for L-bracket_ fastner for the AIR top track to L-bracket.
- 7_ Wall-mounted ground plate with roller_ fasten to wall and serves as a guide for the bottom of the door (used when groundplate with roller is not an option).
- 8_ End cap attachment_ connects the end cap to the top track.
- 9_ S1500 Ganging device, left_ gangs two doors together (must specify right or left, optional).
- 10_ S3000 Ganging device, left_ gangs two doors together (must specify right or left, optional).

TECHNICAL TERMS / PREPARATION

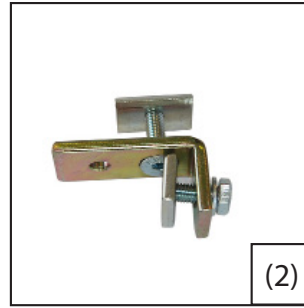
SYNCHRON FITTING SET 2 CONSISTS OF:



1_



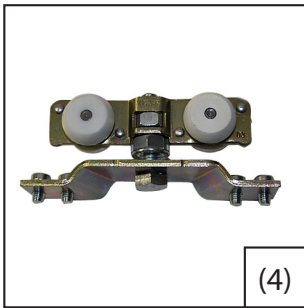
2_



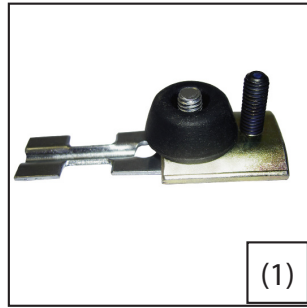
3_



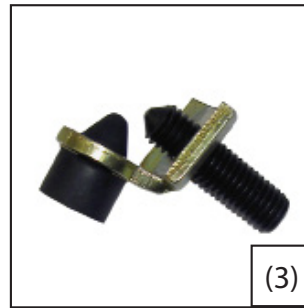
4_



5_



6_



7_



Synchron fitting set 2_ For connection of two AIR doors. When one door is opened the other one automatically also opens.

- 1_ (1) Deflection roller
- 2_ (2) Connector
- 3_ (2) Cable end fitting
- 4_ (2) Cable
- 5_ (4) Top roller
- 6_ (1) Stopper with positioner
- 7_ (3) Stopper without brake

PREPARATION:

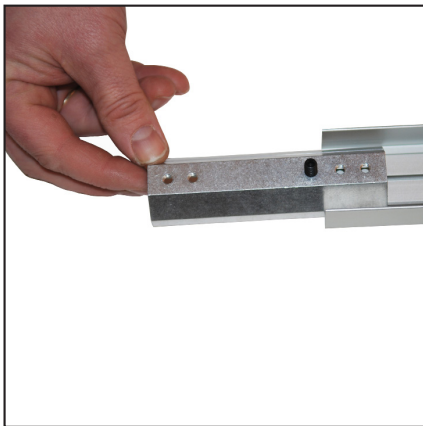
After having unpacked and checked all items you can start your assembly / installation work. We recommend reading these instructions carefully before starting.

ASSEMBLY:

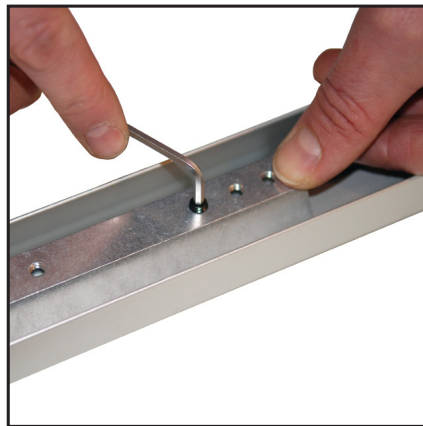
You will find detailed descriptions of the assembly steps in the following chapters. It is important that you follow these steps in correct order otherwise your sliding door system could get damaged.

ASSEMBLY

A_ INSTALLING THE TOP ROLLER FITTING:



1_



2_

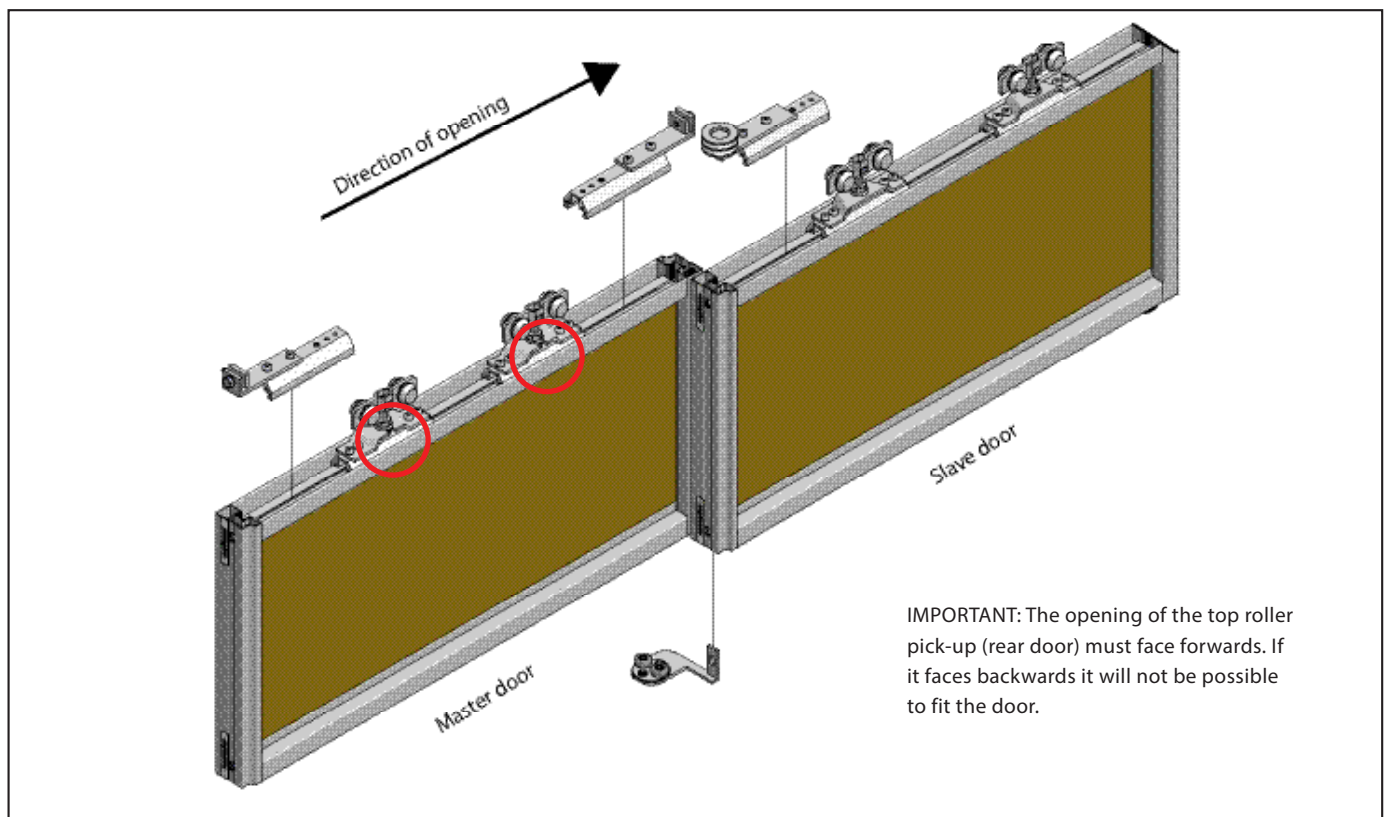


3_

1_ First insert the top roller fitting into the top rail and screw it tight (Fig. 1_ to 2_).

2_ Then place the bottom section of the top roller onto the fitting and screw it tight.

3_ Repeat this process for the deflection roller and the connectors. The connectors are fixed to each end of each door so that they lie directly on the top roller fitting.



ASSEMBLY

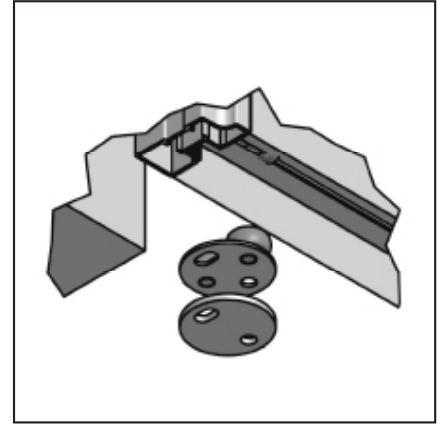
B_ INSTALLING THE GANGING DEVICES:



1_



2_



3_

_ Check whether you need a right or left ganging device.

Screw the ganging devices onto the bottom rail using the frame screw (Fig. 1_ and 2_).

Fix the bottom guide (groundplate with roller) to the ground (Fig. 3_).

C_ INSERTING THE TOP ROLLER AND DEFLECTION UNIT INTO THE TRACK PROFILE



Take the top roller apart and insert the top parts into the track. When mounting the track with right and left limits please note that the top roller; top roller stopper; etc. have to be inserted beforehand and that a roller brake must be inserted between the two guiding tracks.

Also insert both cable end fittings into the track and screw them tight.

D_ MOUNTING THE STOPPERS AND ROLLER BRAKES:



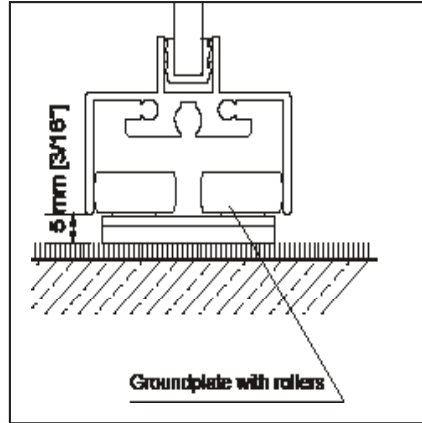
Mount the top roller stoppers as described above (no exact positioning until the doors have been installed).

ASSEMBLY

E_HANGING THE DOOR:



1_



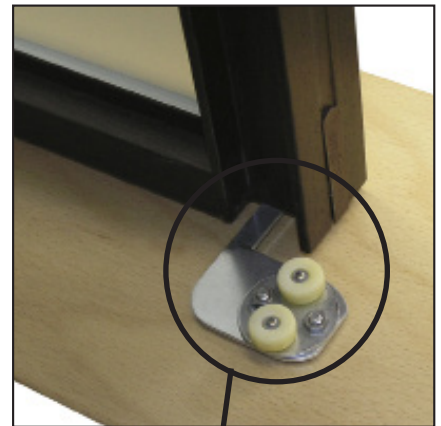
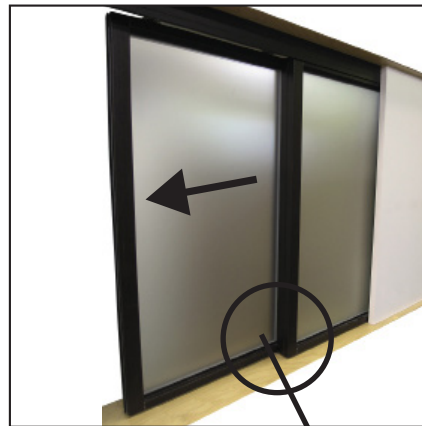
2_



3_

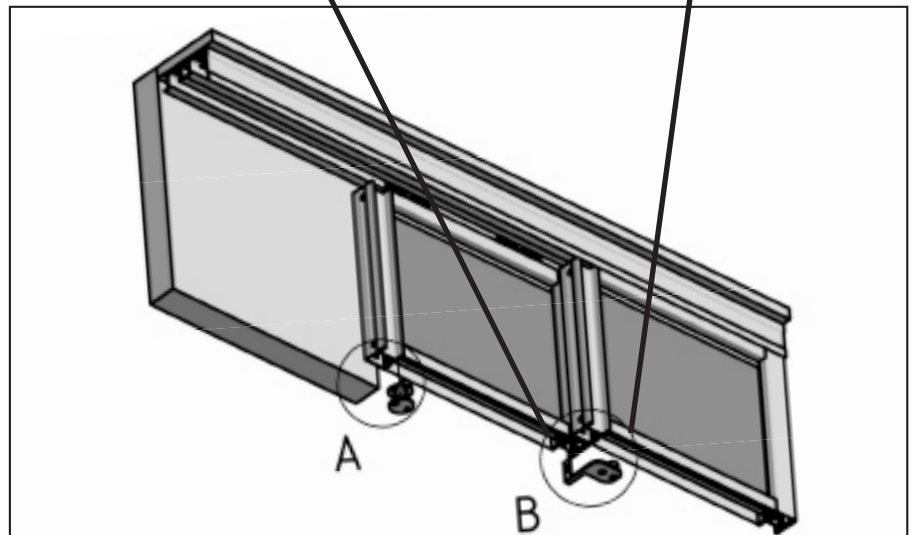
_ Fix the door with ganging device to the bottom groundplate before fitting them at the top. Then fix the second door over the first door's ganging device and hang.

The door with ganging device are fixed to the bottom groundplate first.



Just as for all AIR doors hang the door with its facing; adjust it and screw it tight.
The second door is first fixed over the other door's ganging device before being hung at the top; adjusted and screwed tight.

This example shows a door with ganging device moving to the right.



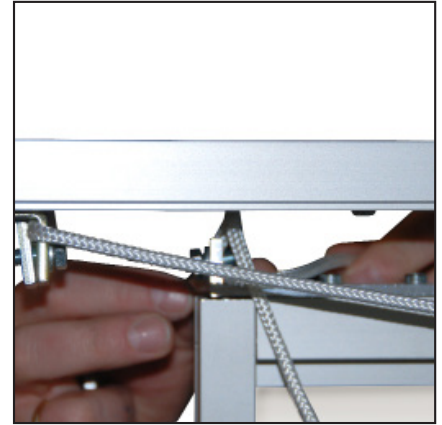
ASSEMBLY SYNCHRON DRIVE 2



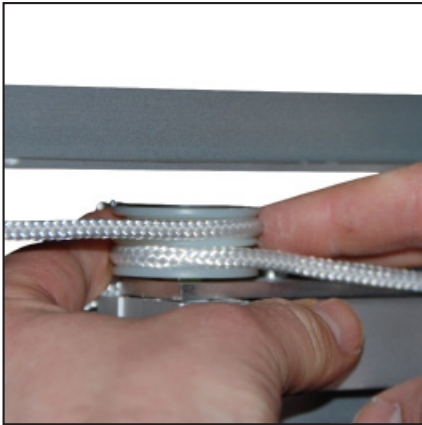
1_



2_



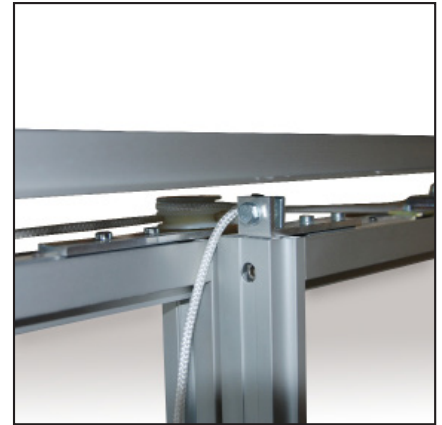
3_



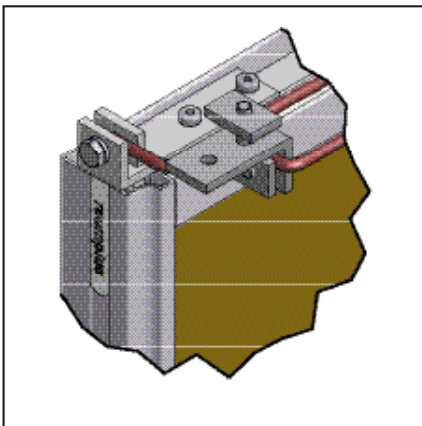
4_



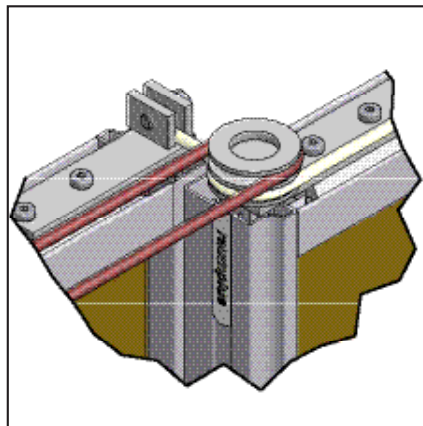
5_



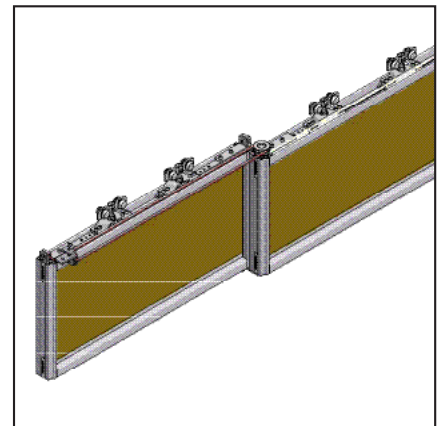
6_



7_



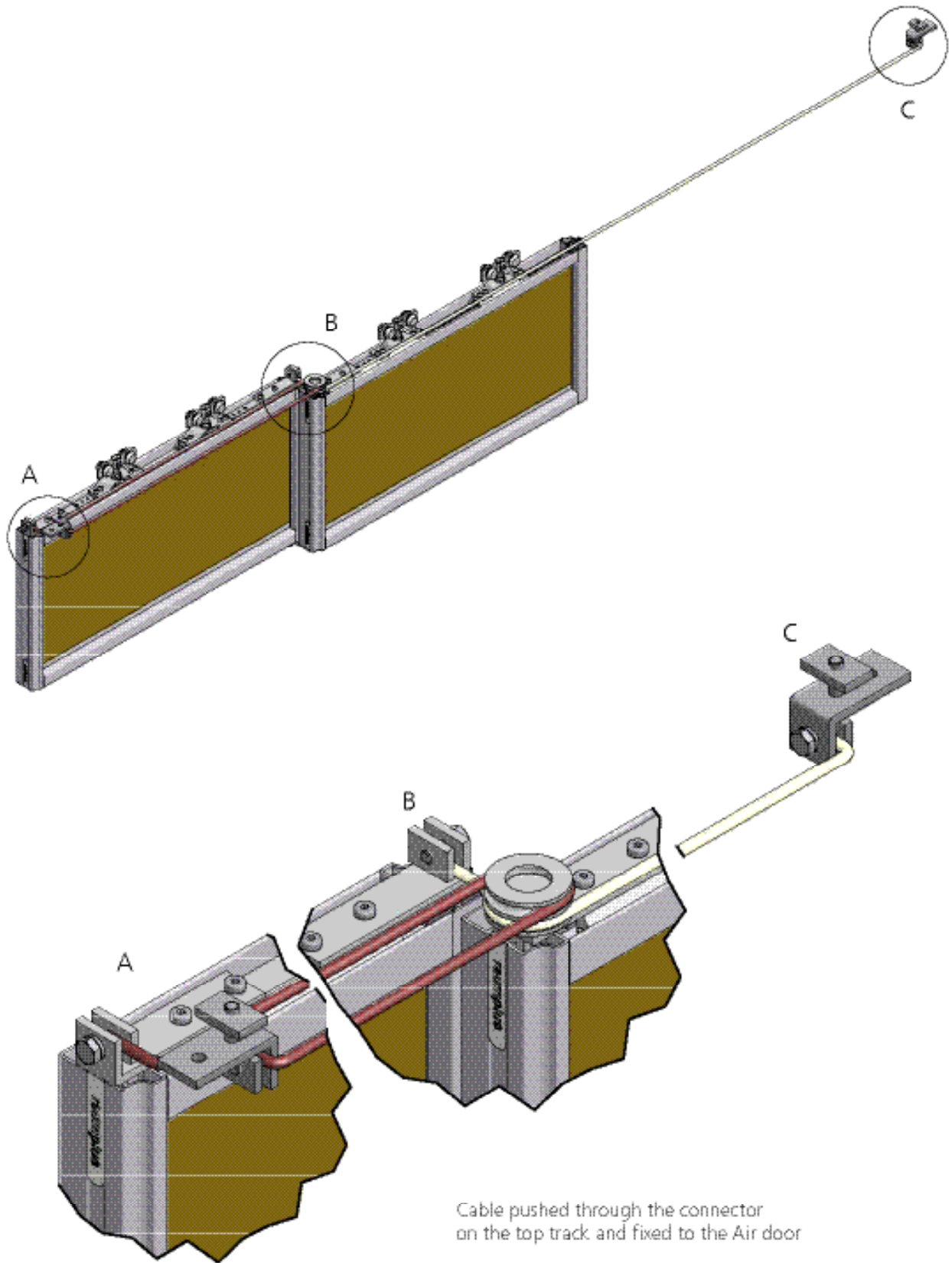
8_



9_

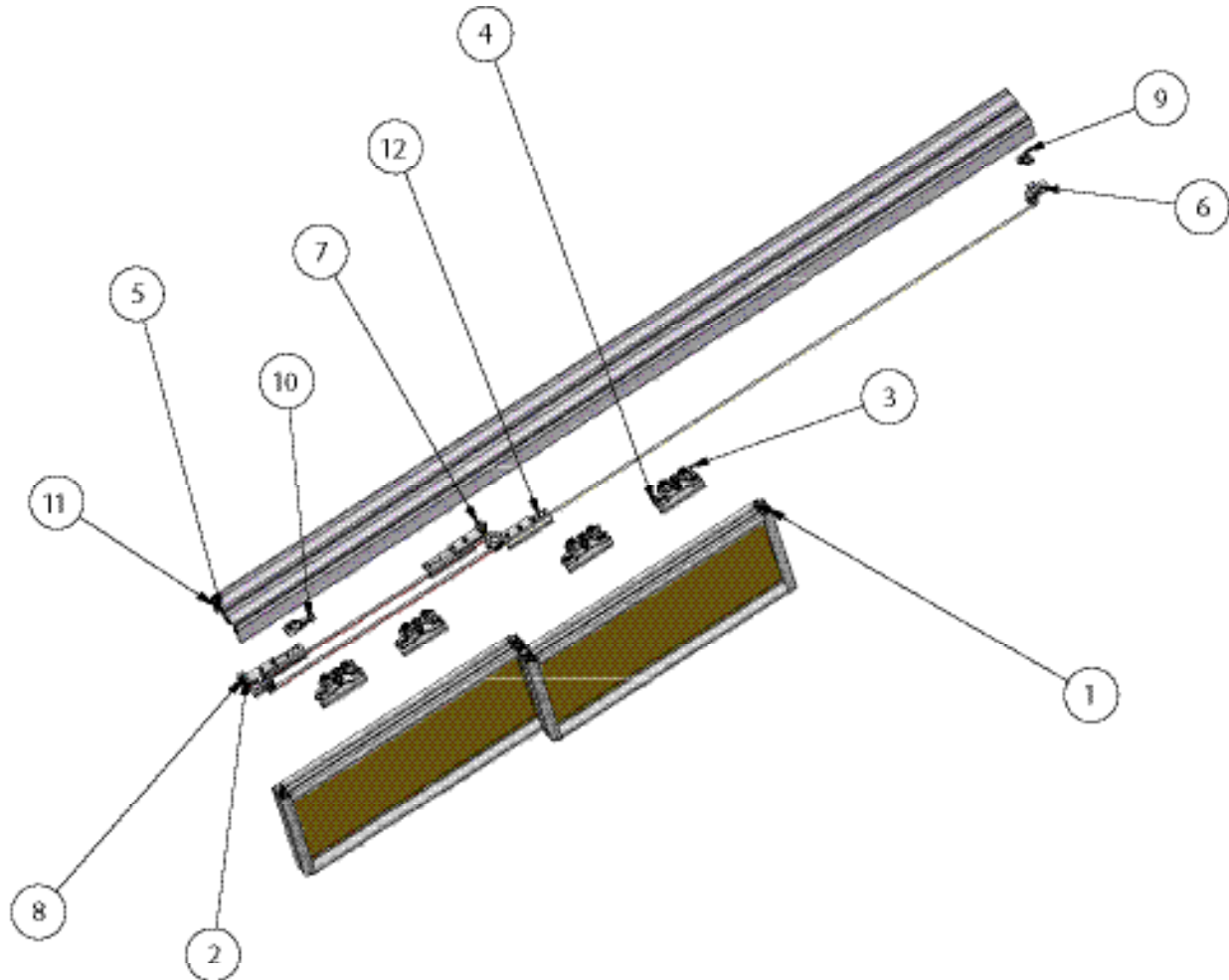
- 1_ Pull the cable through the cable end fitting mounted in the track profile and screw it tight.
- 2_ Then pull the cable tight around the deflector roller and back to you
- 3_ Then push the cable through the connector and back around the deflector roller.
- 4_ Following this push the cable through the other connector and tighten its screw.
Make sure that the cable is not too slack.
Following a functionality test shorten the cable to the required length.

ASSEMBLY SYNCHRON DRIVE 2



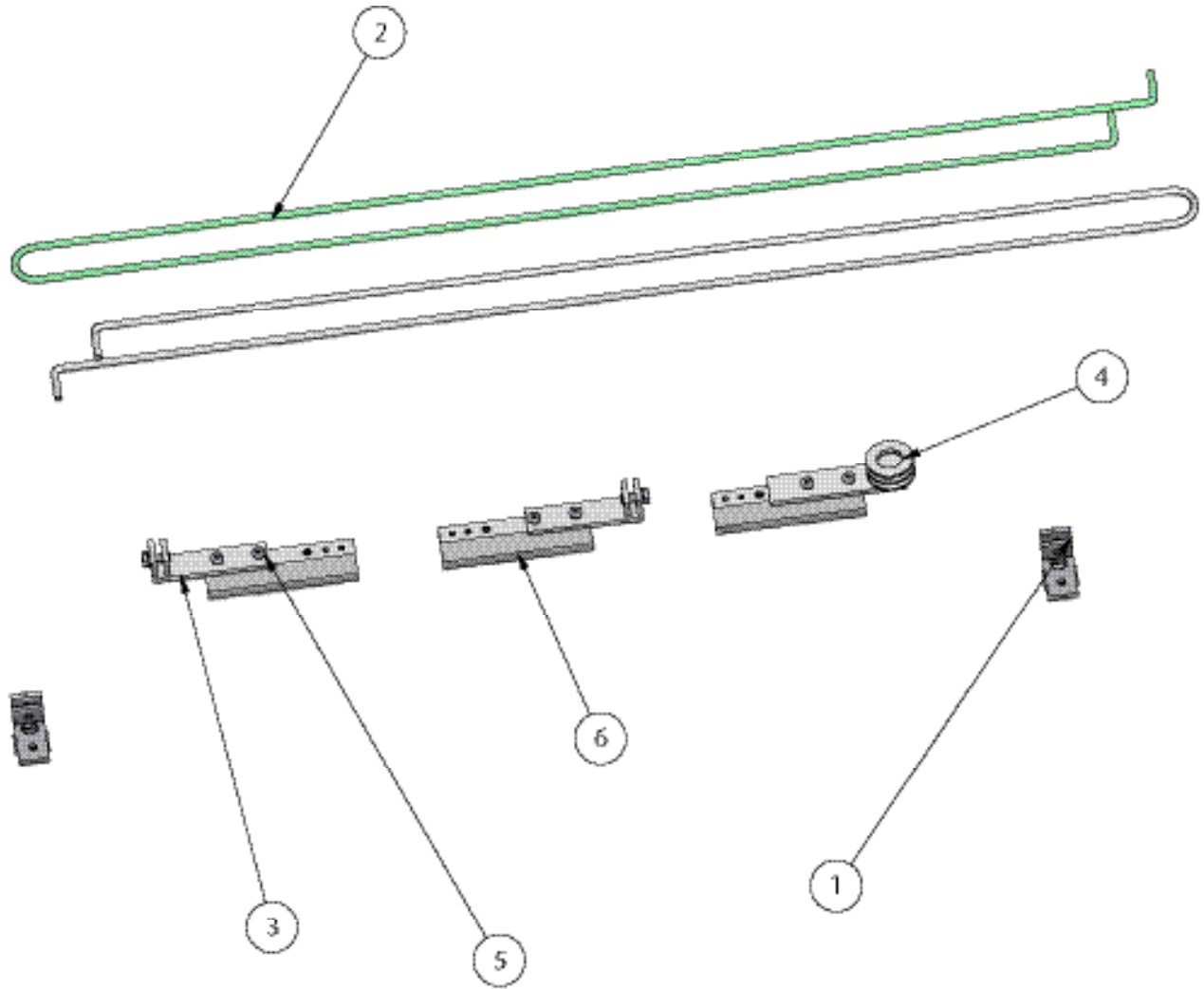
Cable pushed through the connector on the top track and fixed to the Air door

DETAIL DRAWING



Item list			
OBJECT	QUANTITY	DESCRIPTION	MATERIAL
1	2	Door AIR	
2	2	Connector	
3	4	Top roller	
4	4	Fitting for the top roller	
5	2	Top track	Aluminium - 6060
6	2	Cable end fitting	
7	1	Cable	Plastic
8	1	Cable	Standard
9	1	Stopper for top track	
10	1	Stopper with positioner	
11	2	Valance	Aluminium - 6060
12	1	Deflector roller	

DETAIL DRAWING



Item list			
OBJECT	QUANTITY	DESCRIPTION	MATERIAL
1	2	Cable end fitting	
2	2	Cable	Standard
3	2	Connector	
4	1	Deflector roller	Standard
5	6	Socket head cap screw	Steel (galvanized)
6	3	Syncro_2 fitting	