

SLIDING DOOR SYSTEM: INSTALLATION INSTRUCTIONS HOW TO INSTALL A SLIDING DOOR (AIR)

V2018.1

CONTENT

General information and tools_ page 03

Components_ page 04

Installation_ page 05 – 12

Detail drawings_ page 13 – 15

GENERAL INFORMATION AND TOOLS

GENERAL INFORMATION:

Preparation:

We recommend reading these instructions before starting.

Carefully unpack and check all items before beginning assembly.

When transporting assembled doors; always lift at corners and lean doors on their side – never stand them upright as this may damage the top roller.

The high quality raumplus family of sliding door systems offers a wide range of possibilities. Systems with or without bottom track, ceiling or wall mounted systems, corner solutions, locks, applied and true divided panels.

The "HOW TO INSTALL A SLIDING DOOR (AIR)" describes the process of installing an AIR top hung system.

For other instructions, please see:

INSTALLATION INSTRUCTIONS_AIR GANGING DEVICE

INSTALLATION INSTRUCTIONS_AIR BRAKE

HOW TO ASSEMBLE A SLIDING DOOR (AIR)

HOW TO INSTALL A SLIDING DOOR (S34 + S42)

HOW TO ASSEMBLE A SLIDING DOOR (S34 + S42)

For additional instructions see website www.raumplusna.com

Technical details are subject to change.

INFORMATION:

It is assumed that you have exactly identified all cutting dimensions according to the measurement instruction for raumplus-products.

max. door weight: 60kg [130 lbs]

TOOLS:

aluminium saw

allen wrenches: 3mm, 4mm, 5mm

wrench: 13mm

drill

drills bits: 6.5mm, 8.5mm, 10mm

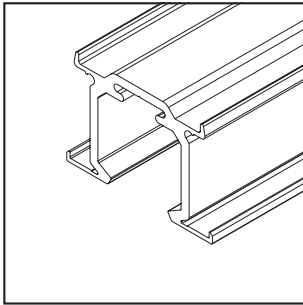
white rubber mallet

masking tape

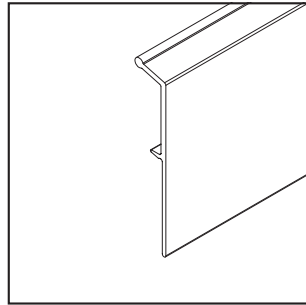
pencil

level

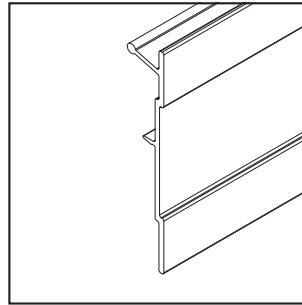
COMPONENTS_AIR



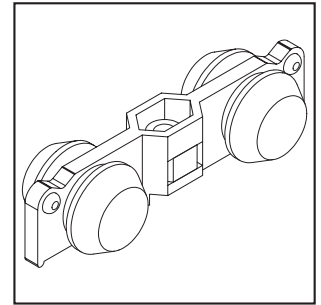
1_14.55.020



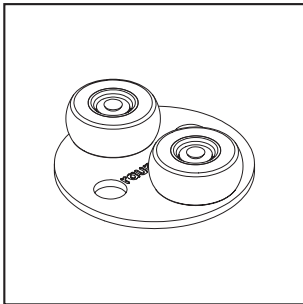
2_14.53.020



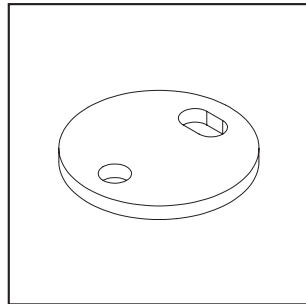
3_14.50.020



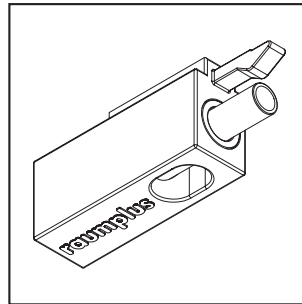
4_10.06.200



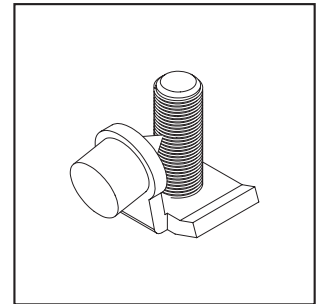
5_10.06.030



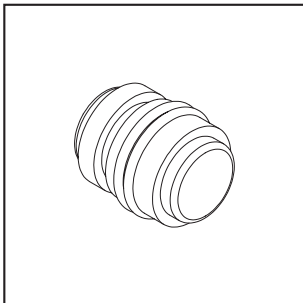
6_10.05.025



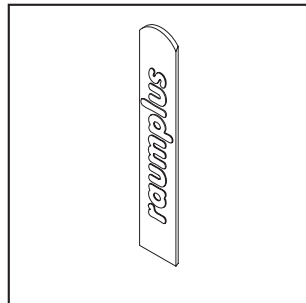
7_10.05.017



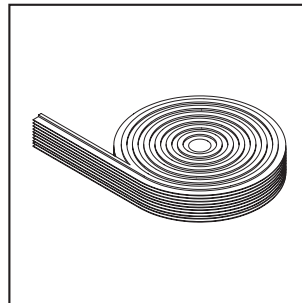
8_10.05.060



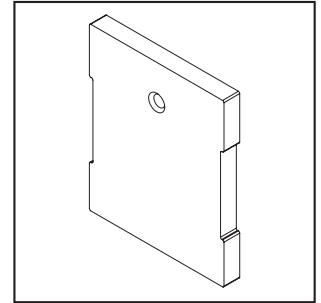
9_10.05.030



10_10.07.051



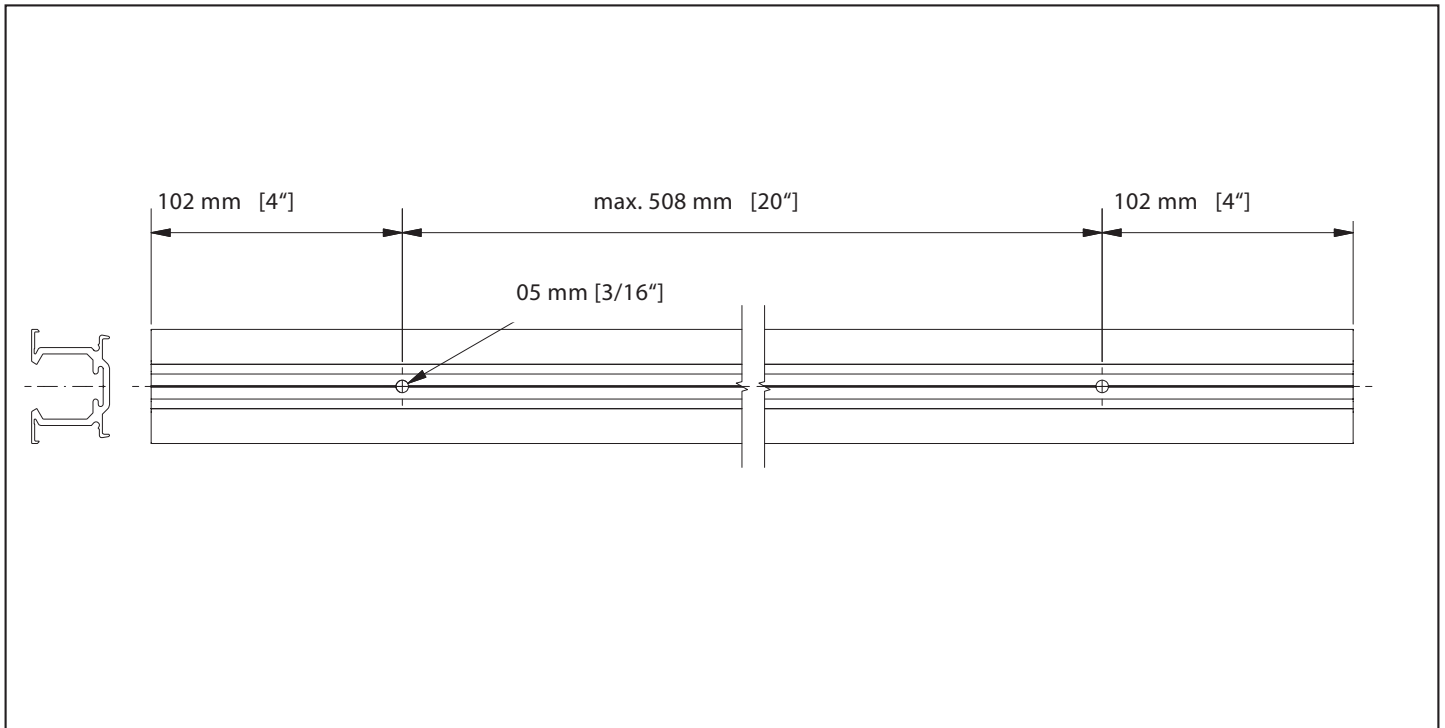
11_



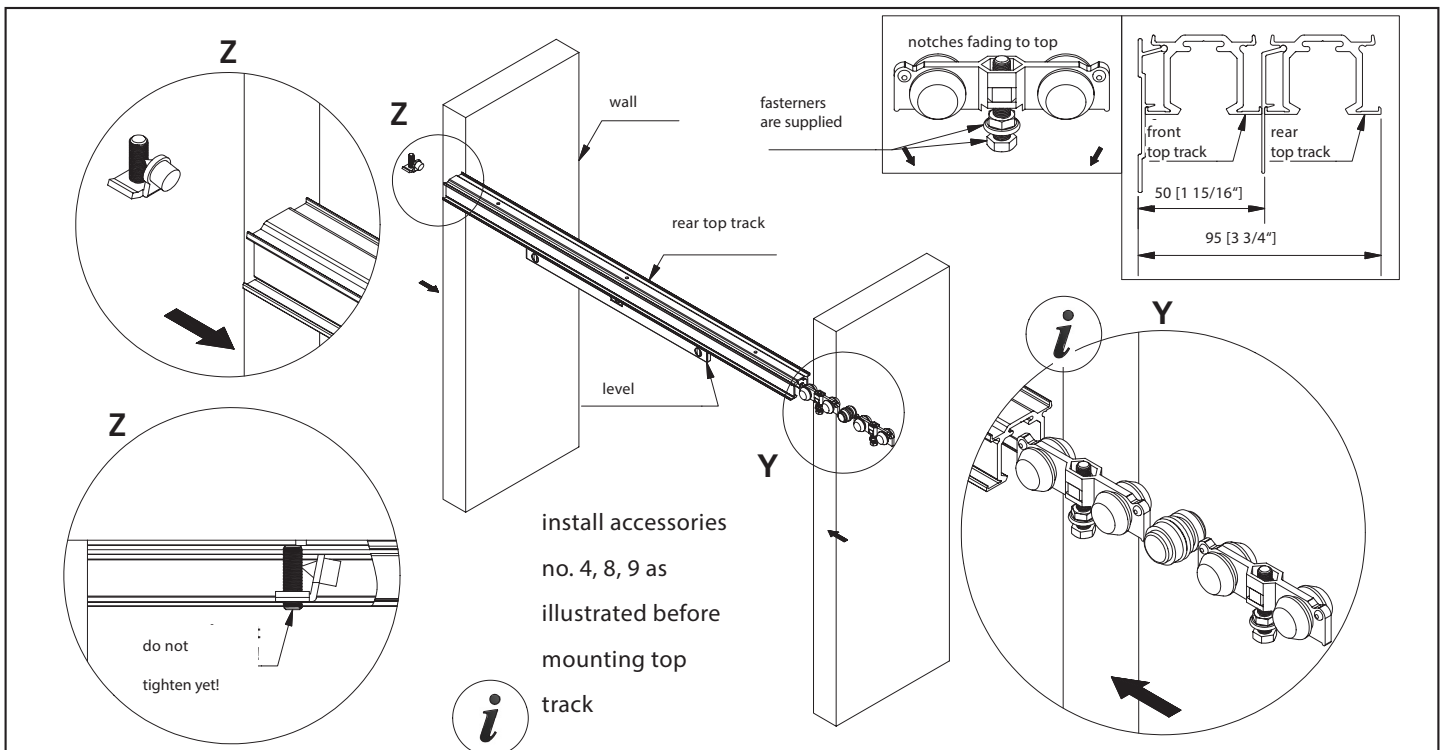
12_

- 1_ AIR Top track_ ceiling or wall-mount (add continuous L-bracket if wall-mounted).
- 2_ AIR Middle valance_ used between AIR top tracks (optional).
- 3_ AIR Valance_ use on one or both sides of AIR top track.
- 4_ AIR Top roller_ connects to the top rail and helps guide the door in the track.
- 5_ AIR Ground plate with roller_ concealed in bottom rail and keeps the door in line.
- 6_ AIR Ground plate without roller_ used as a shim beneath AIR ground plate without roller (optional)..
- 7_ AIR Stopper with brake_ used for stopping door and holding in the closed position.
- 8_ AIR Stopper without brake_ used to stop door when moved to the open position.
- 9_ AIR Brake_ used between top rollers to slow doors in tracks (optional).
- 10_ Plug_ to cover the holes drilled for the frame screw.
- 11_ Brush gasket_ provides dust seal between wall and door. Available in grey (may substitute with grey rubber, upon request).
- 12_ AIR End cap_ ceiling mount shown, also available wall mounted (left or right, optional).

INSTALLATION_AIR

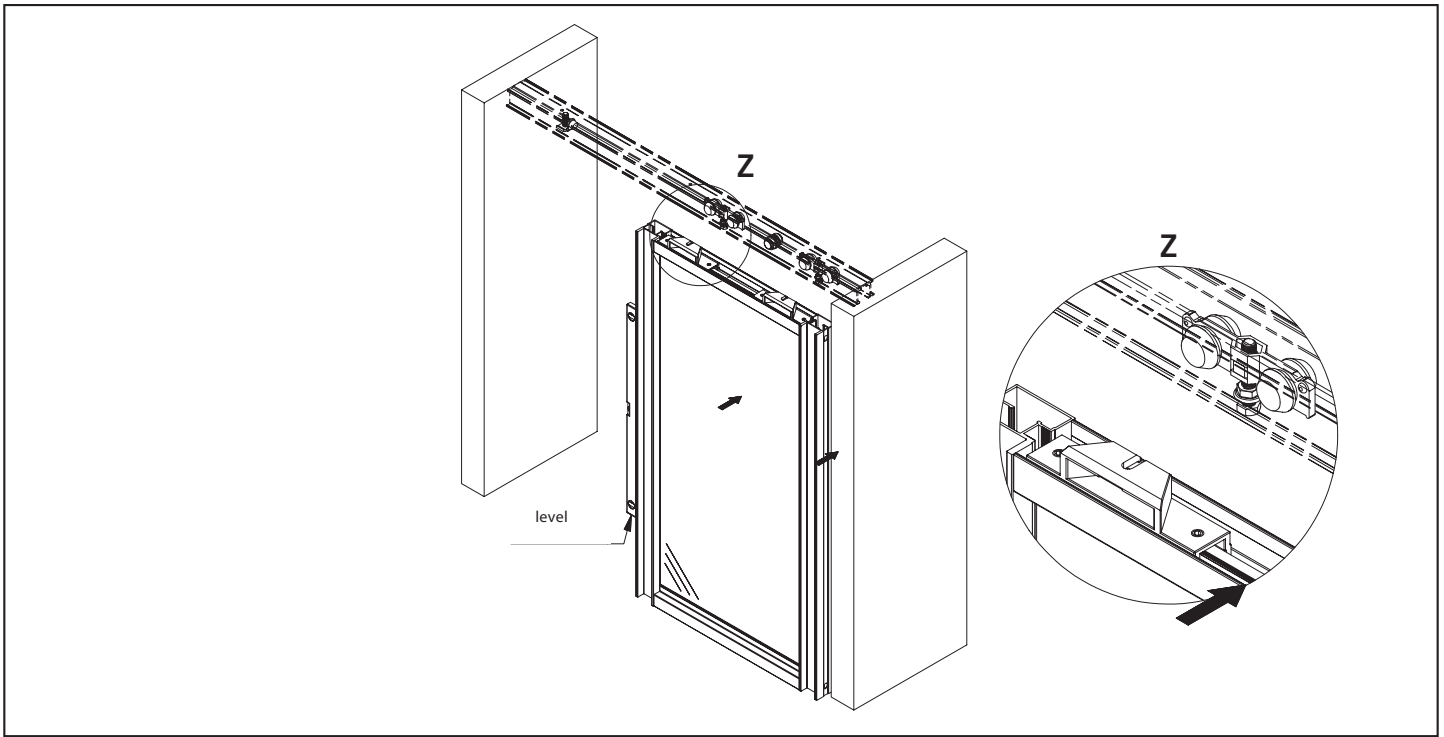


1_ cut valance for top track, middle valance and top track to size, drill holes in top track.

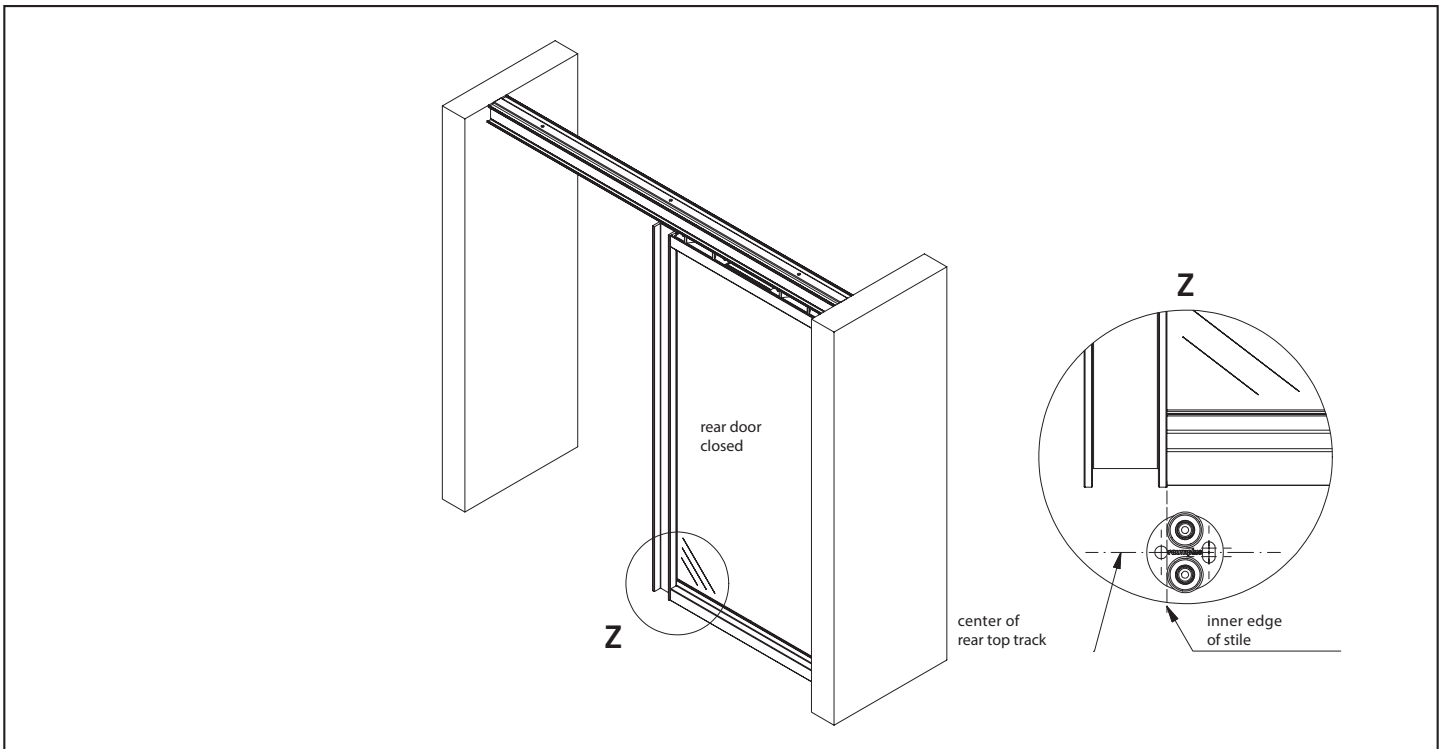


2_ drill holes in ceiling and mount the rear top track.

INSTALLATION_AIR

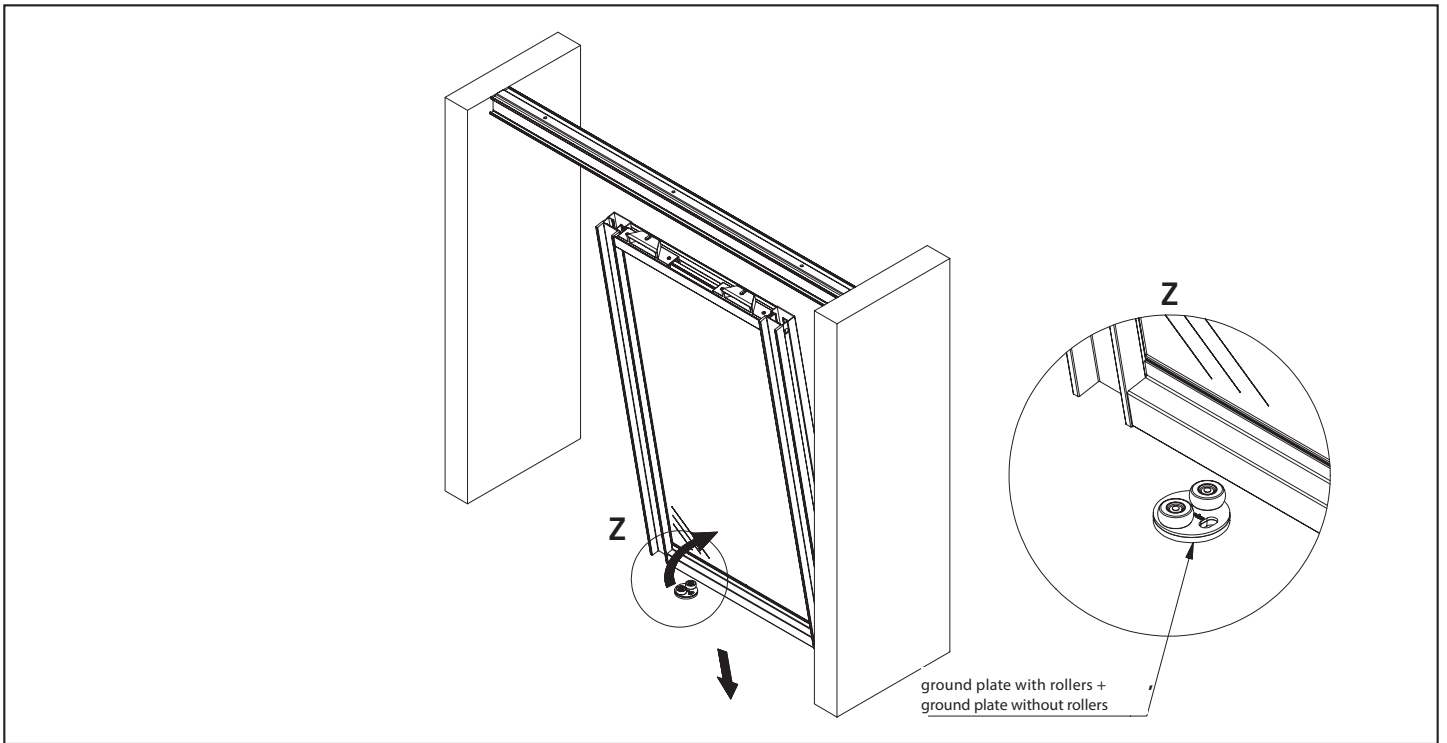


3_ hang the rear sliding door and adjust height

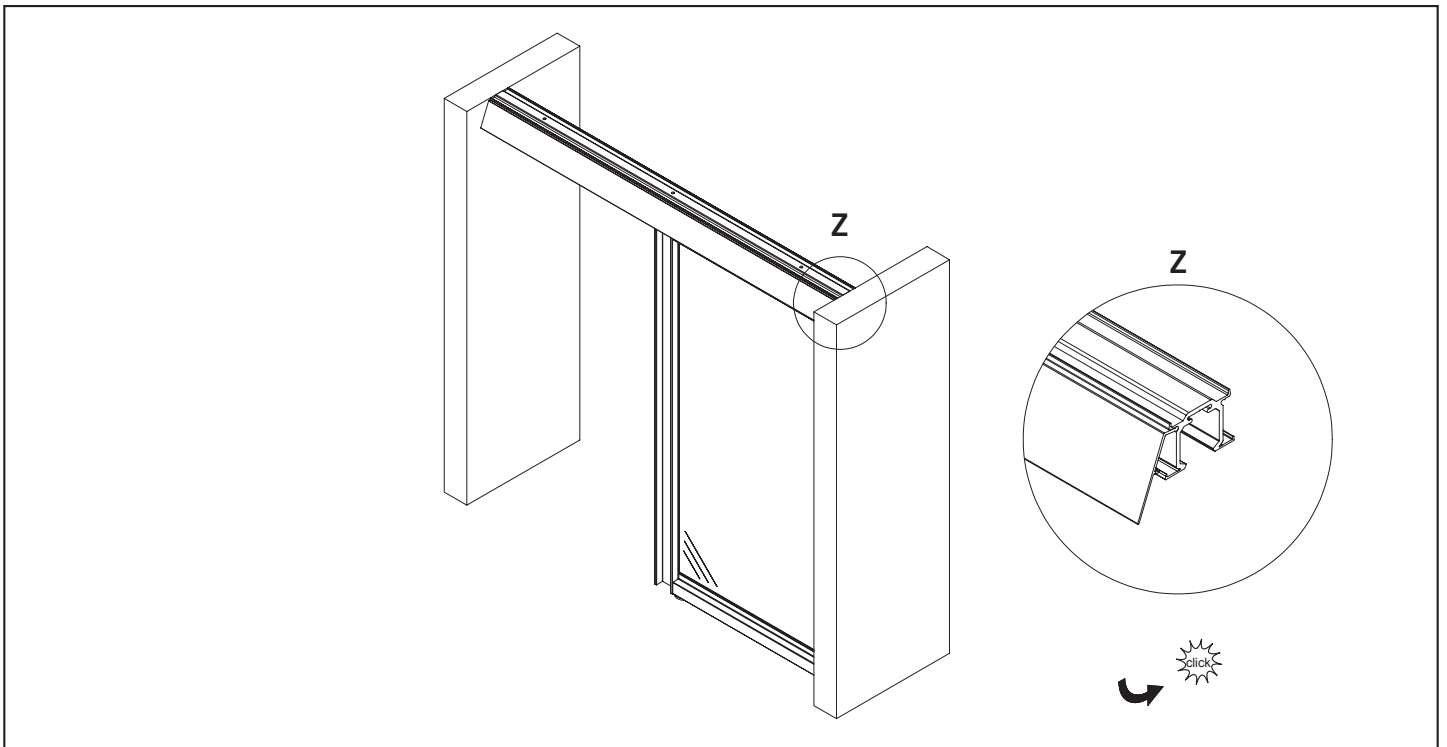


4_ mark position of ground plate (masking tape / pencil), remove rear sliding door and mount ground plate

INSTALLATION_AIR

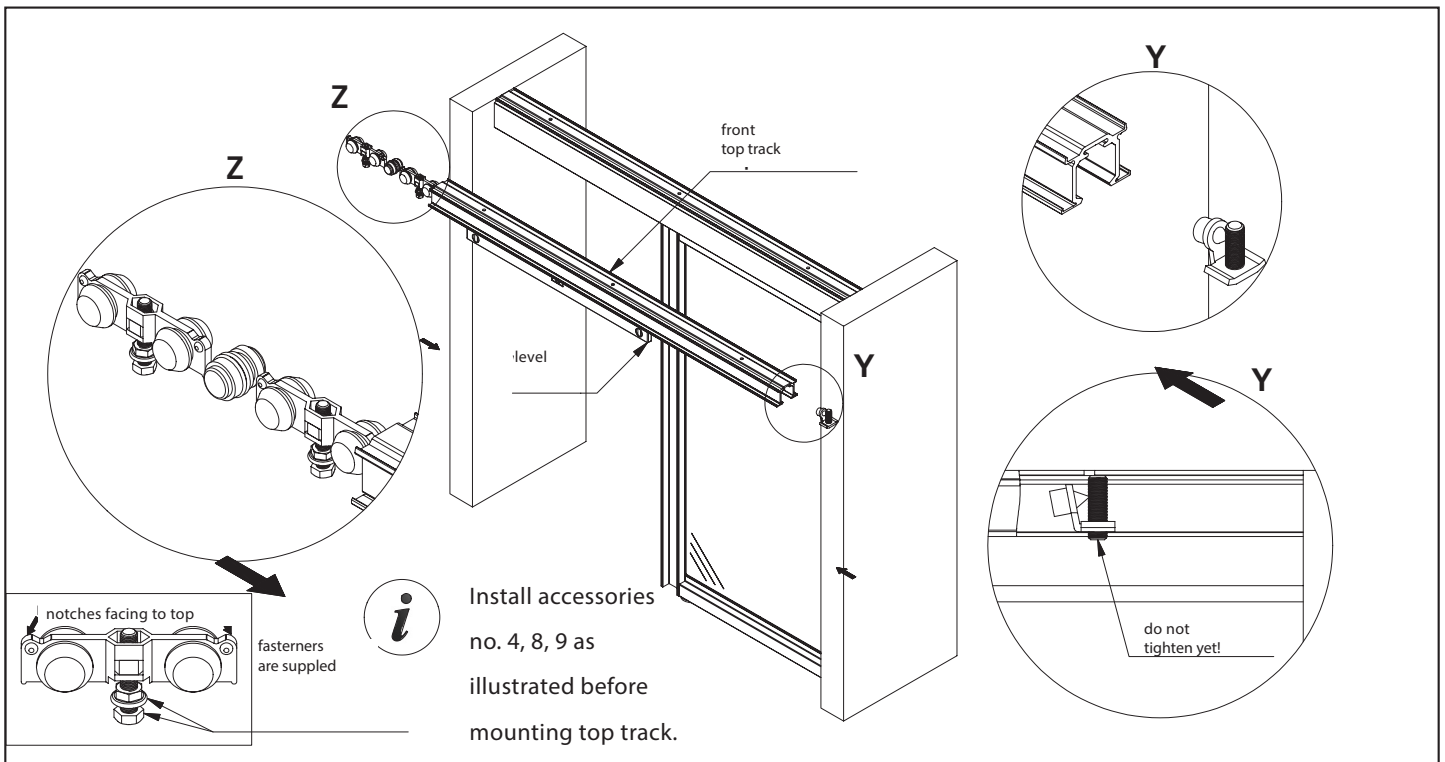


5_ re-hang rear sliding door, then tighten the fastener at the pick up elements

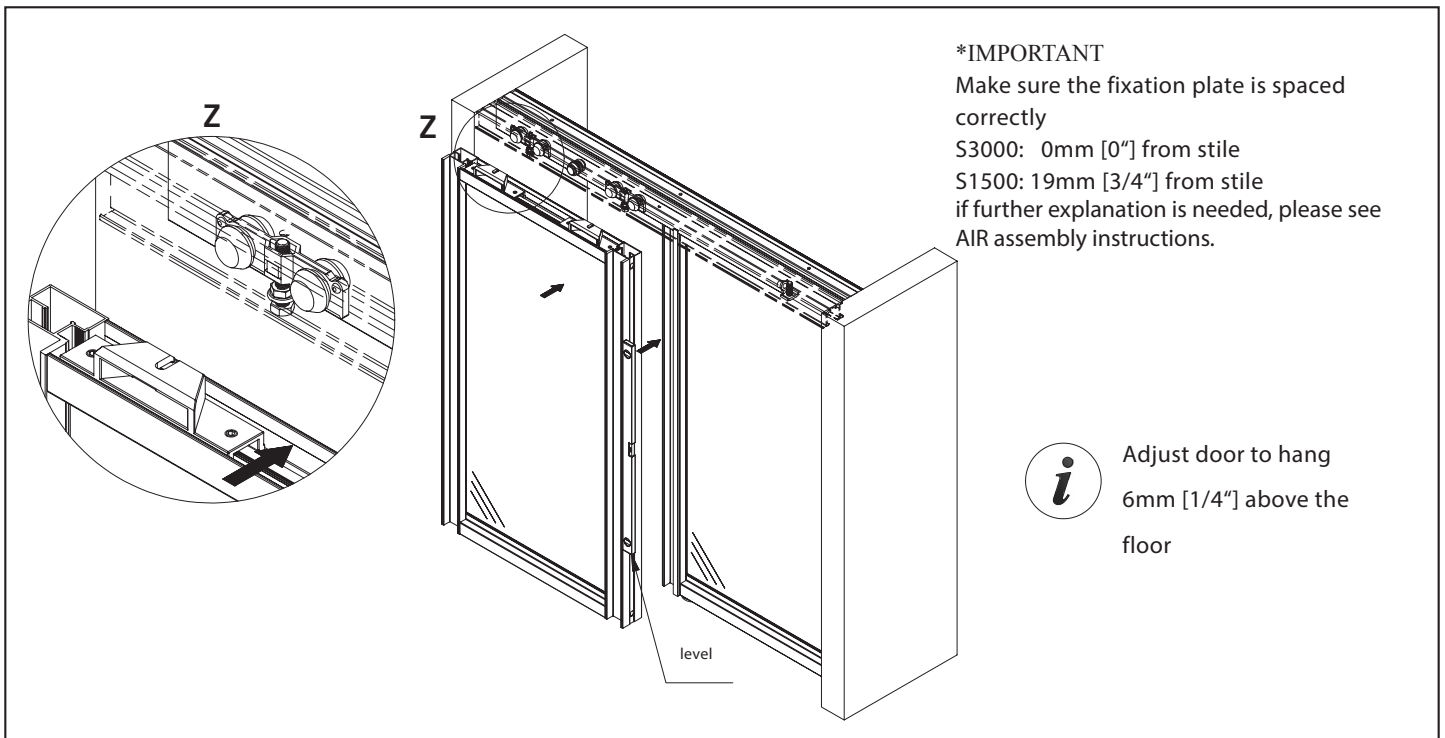


6_ install top track

INSTALLATION_AIR

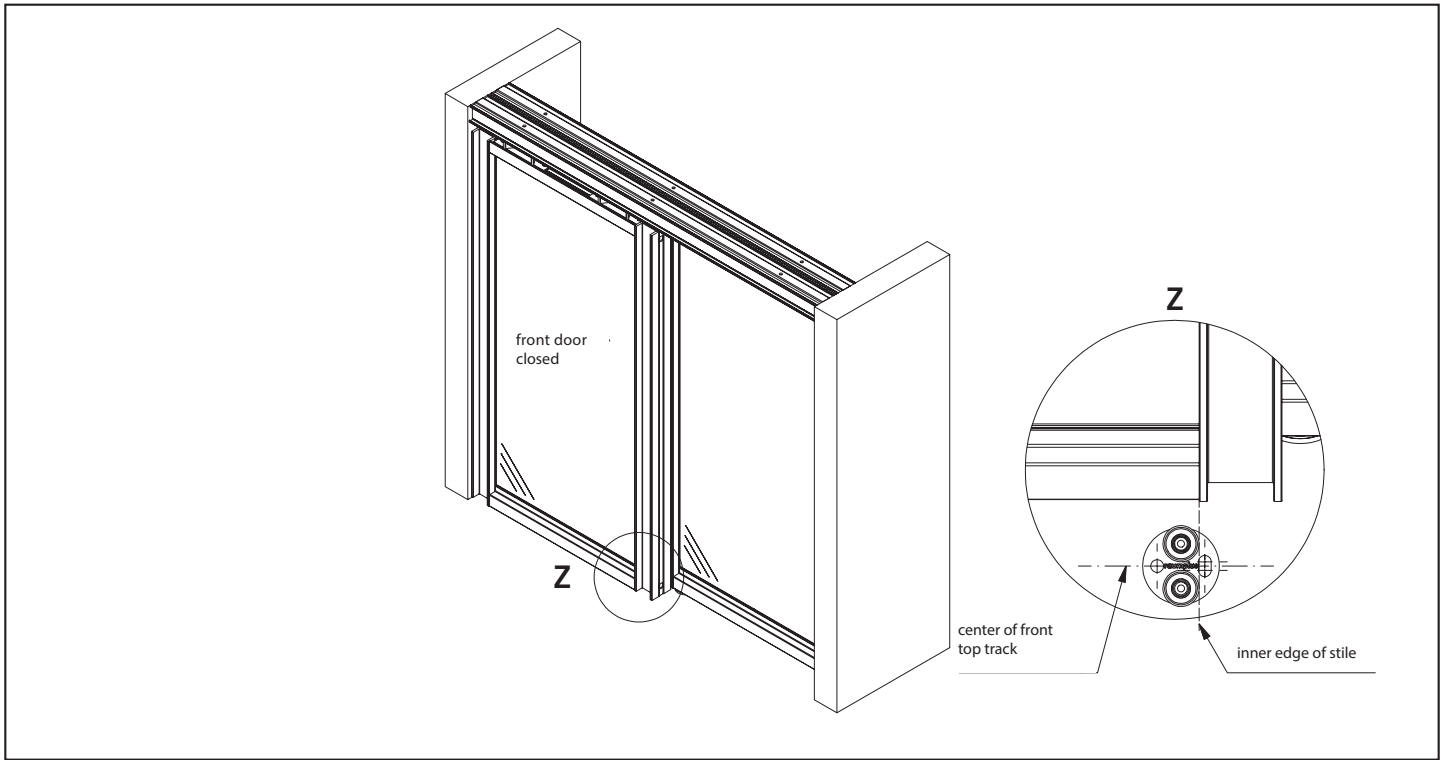


7_ drill holes in ceiling and mount front top track

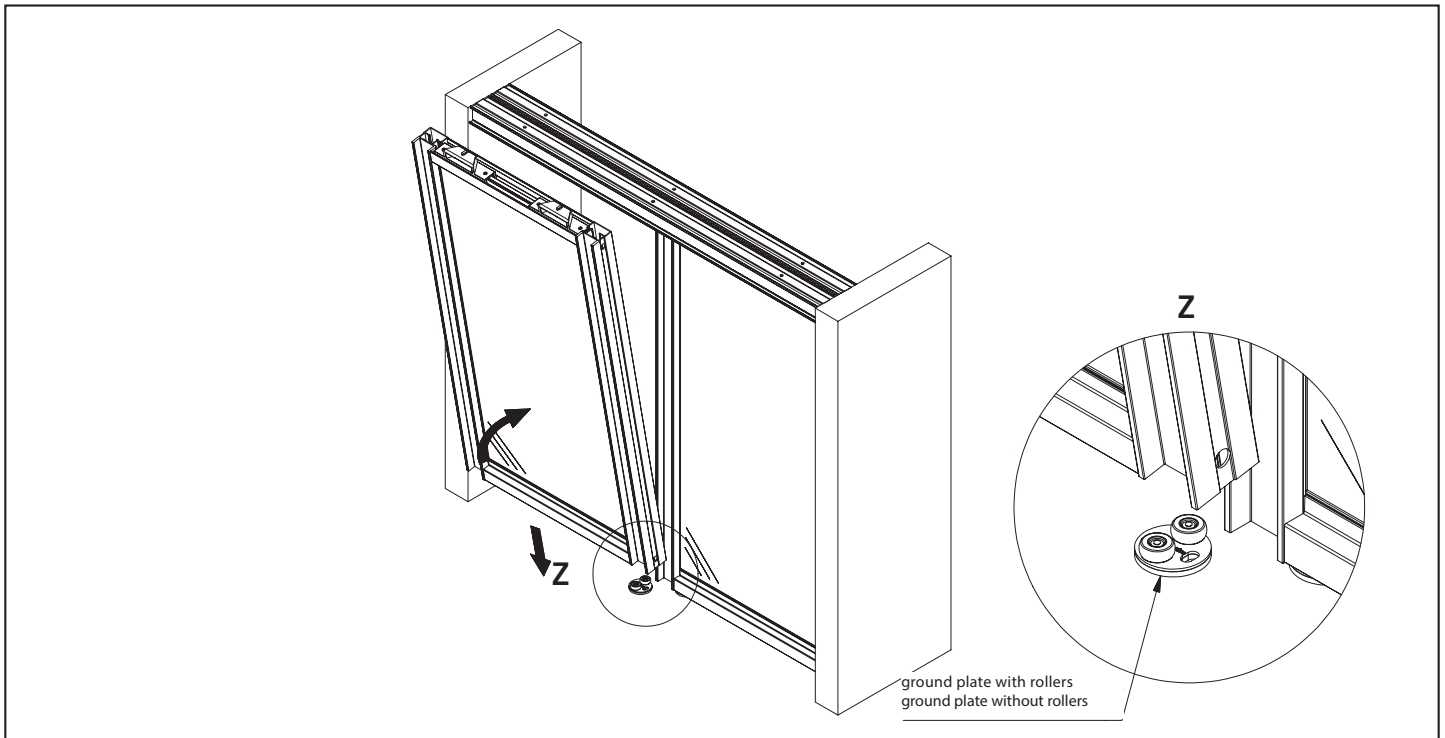


8_ hang the front sliding door and adjust height

INSTALLATION_AIR

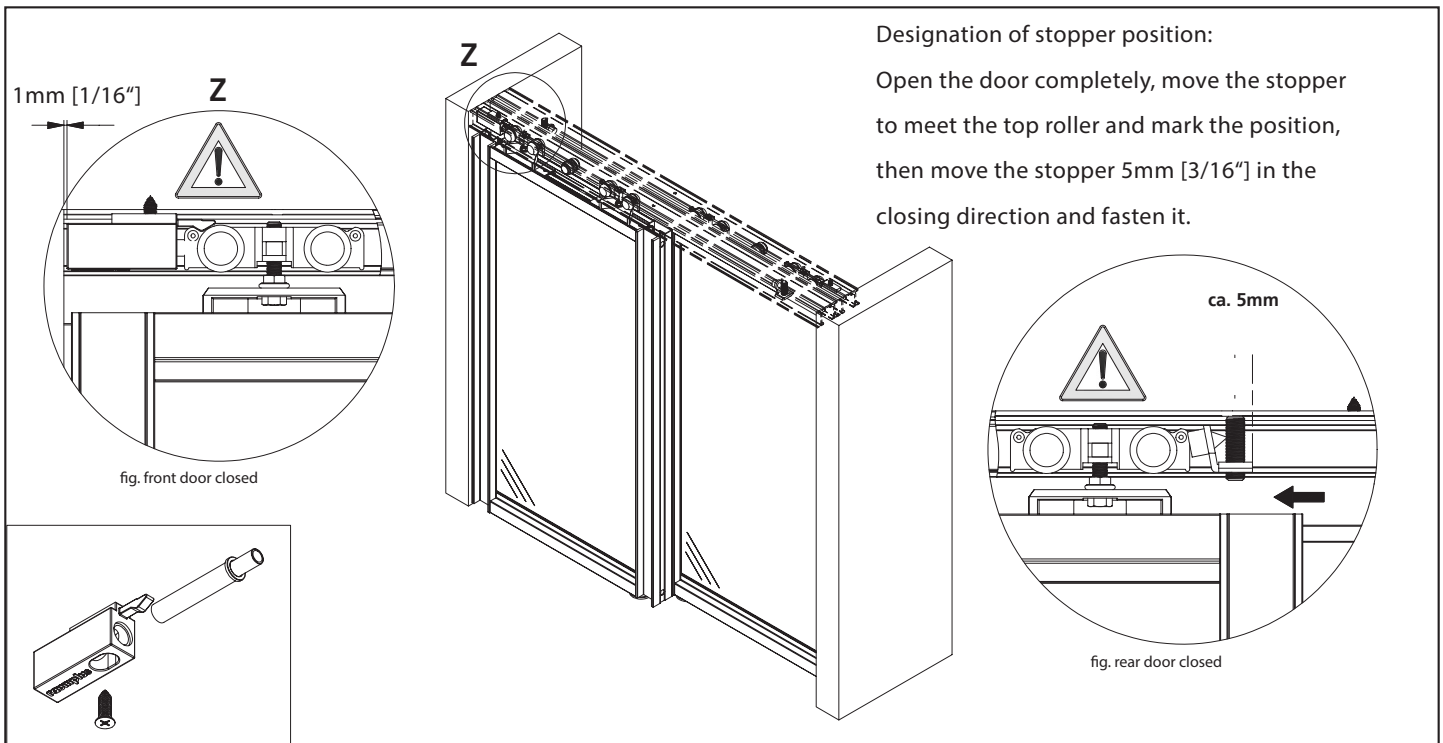


9_ mark position of ground plate (masking tape / pencil), remove front sliding door and mount ground plate

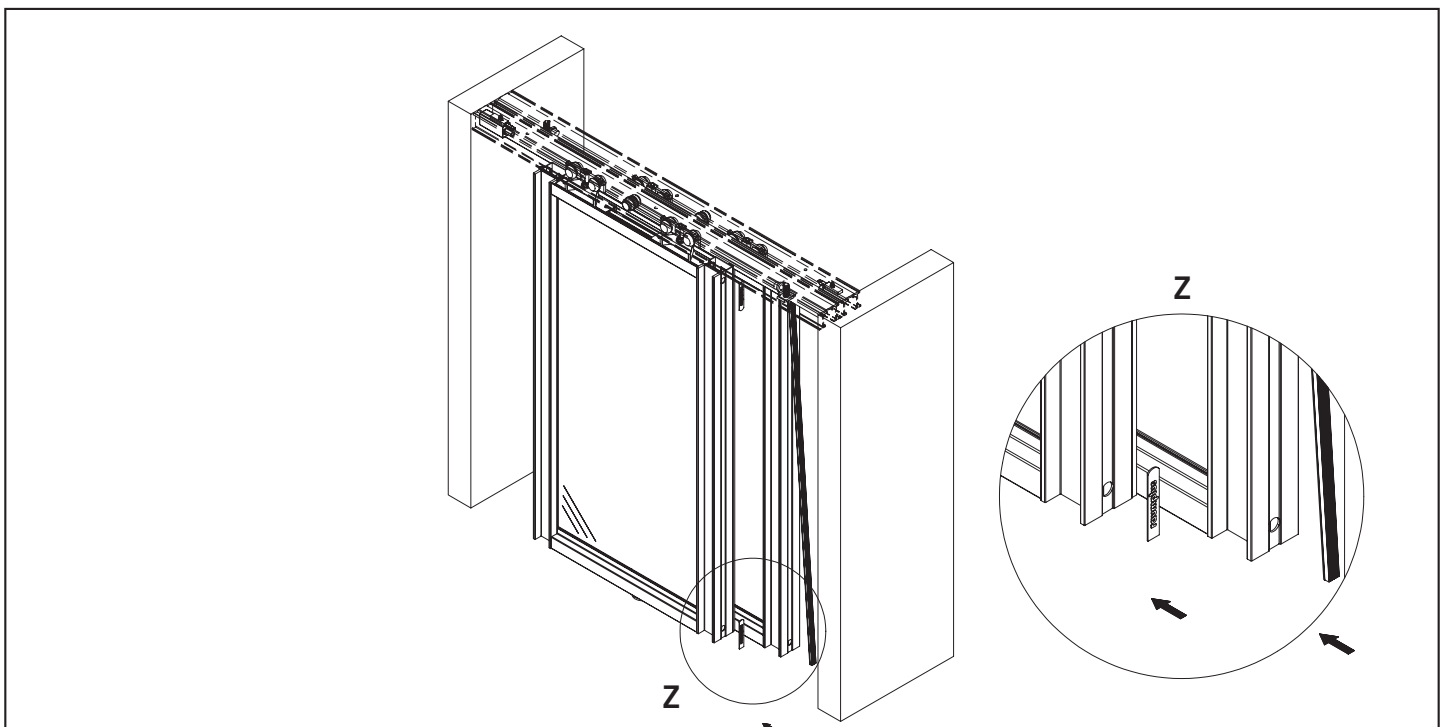


10_re-hang front sliding door, then tighten the fasteners at the AIR top roller/fixation plate

INSTALLATION_AIR

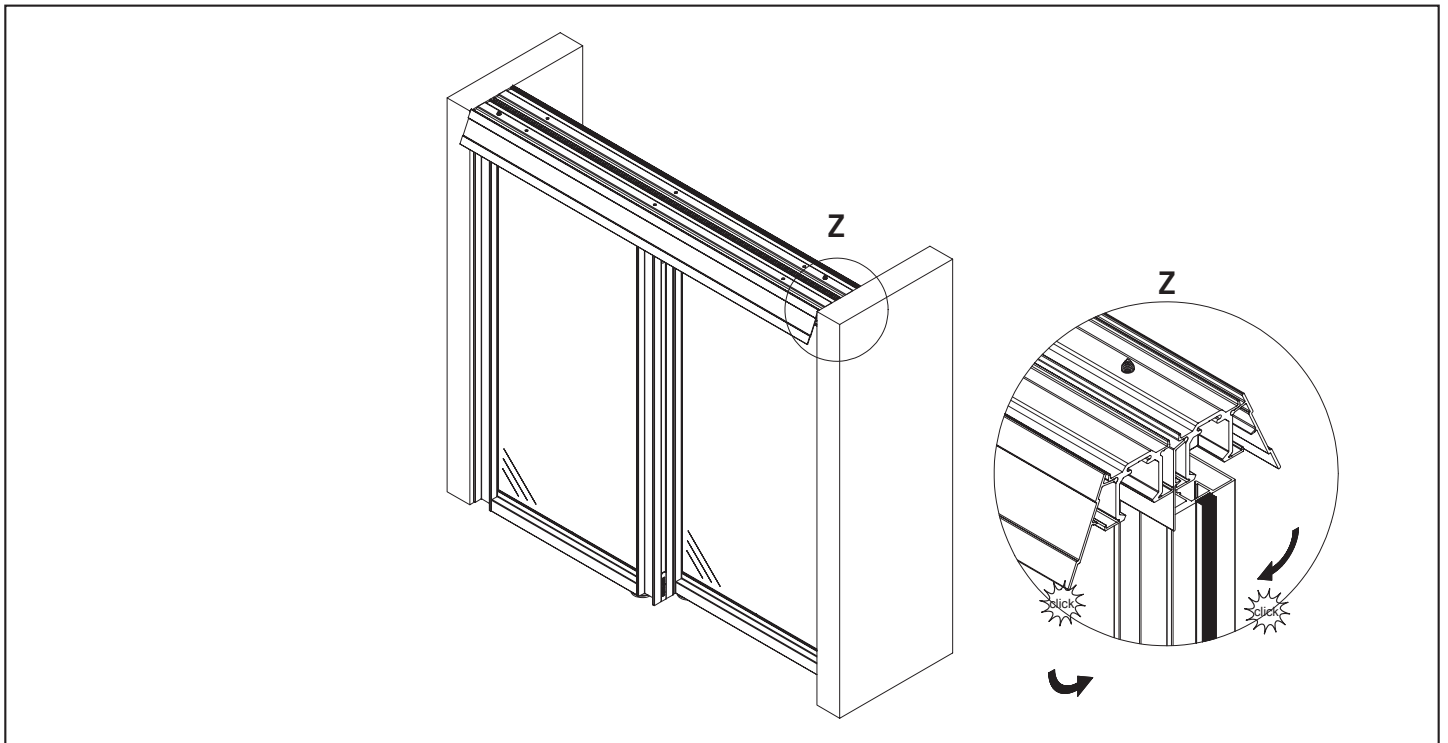


11_ mount AIR stopper with brake in both top tracks at closed position

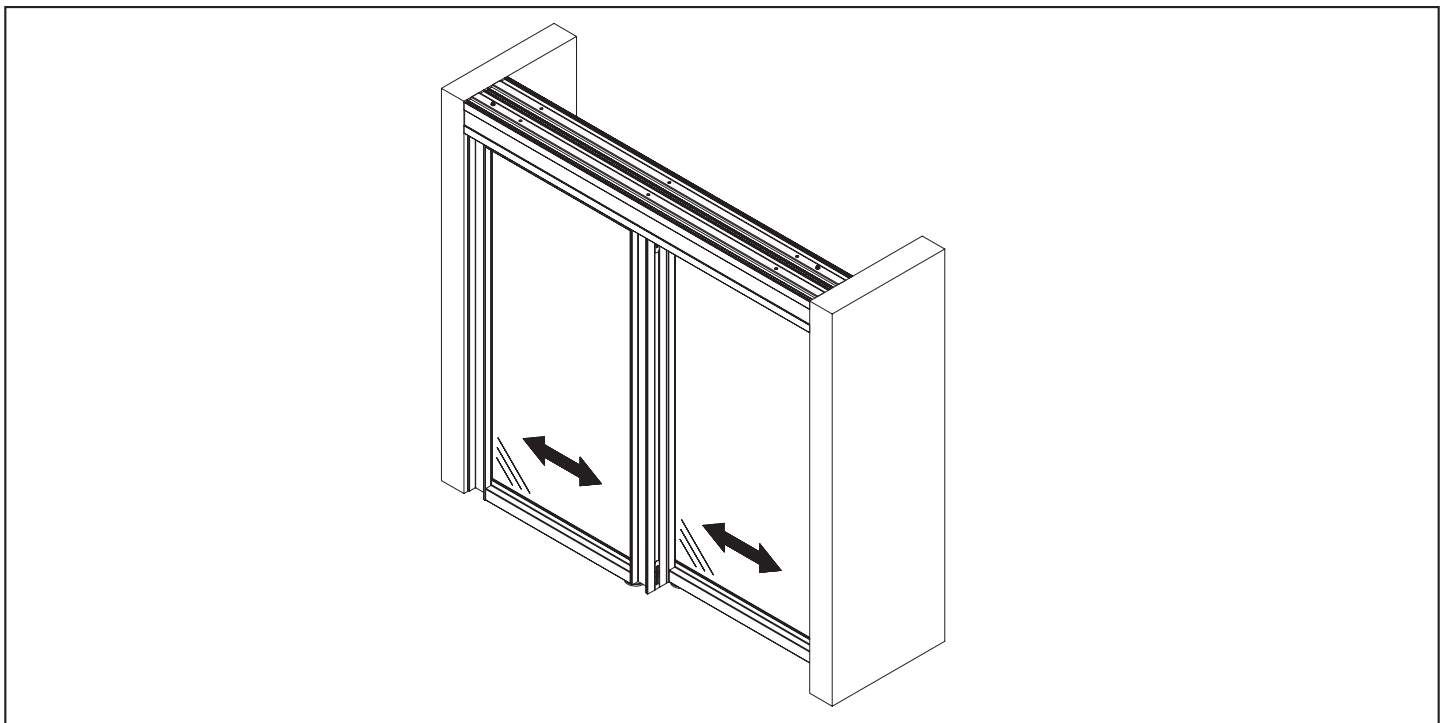


12_ apply brush gasket and plugs (see page 12)

INSTALLATION_AIR



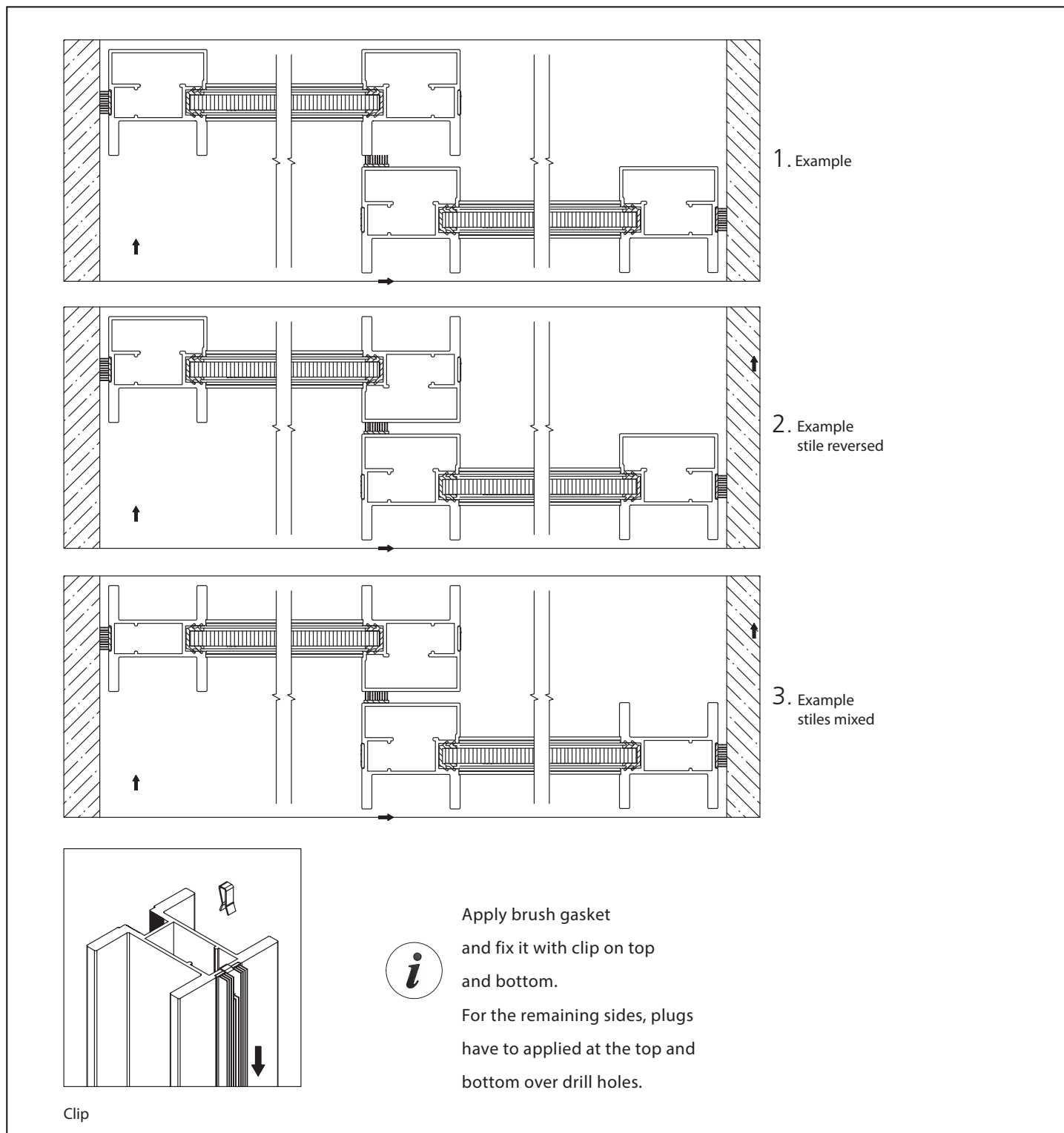
13_ apply valances for top track on front and back



14_ test the function

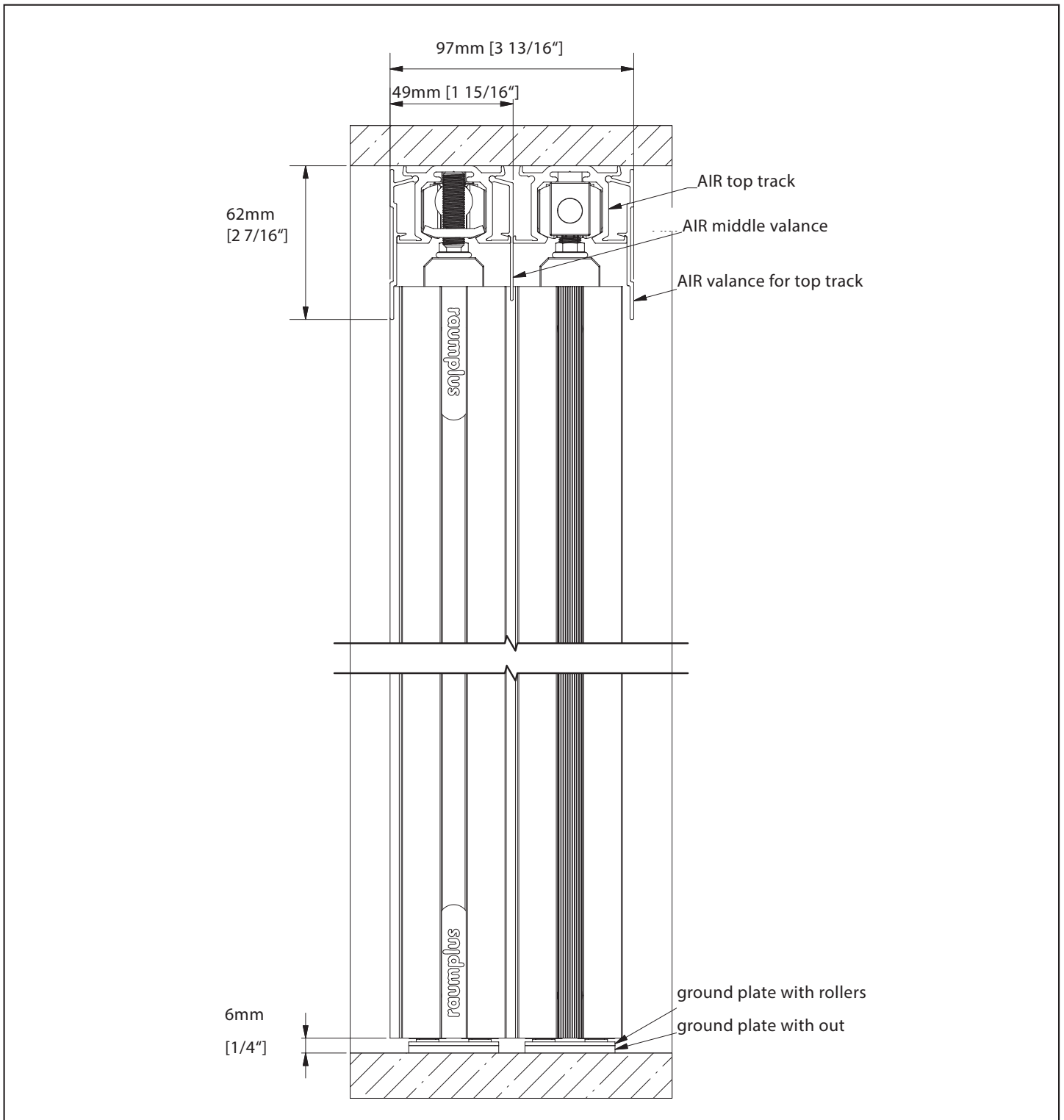
INSTALLATION_AIR

POSITION OF BRUSH GASKET



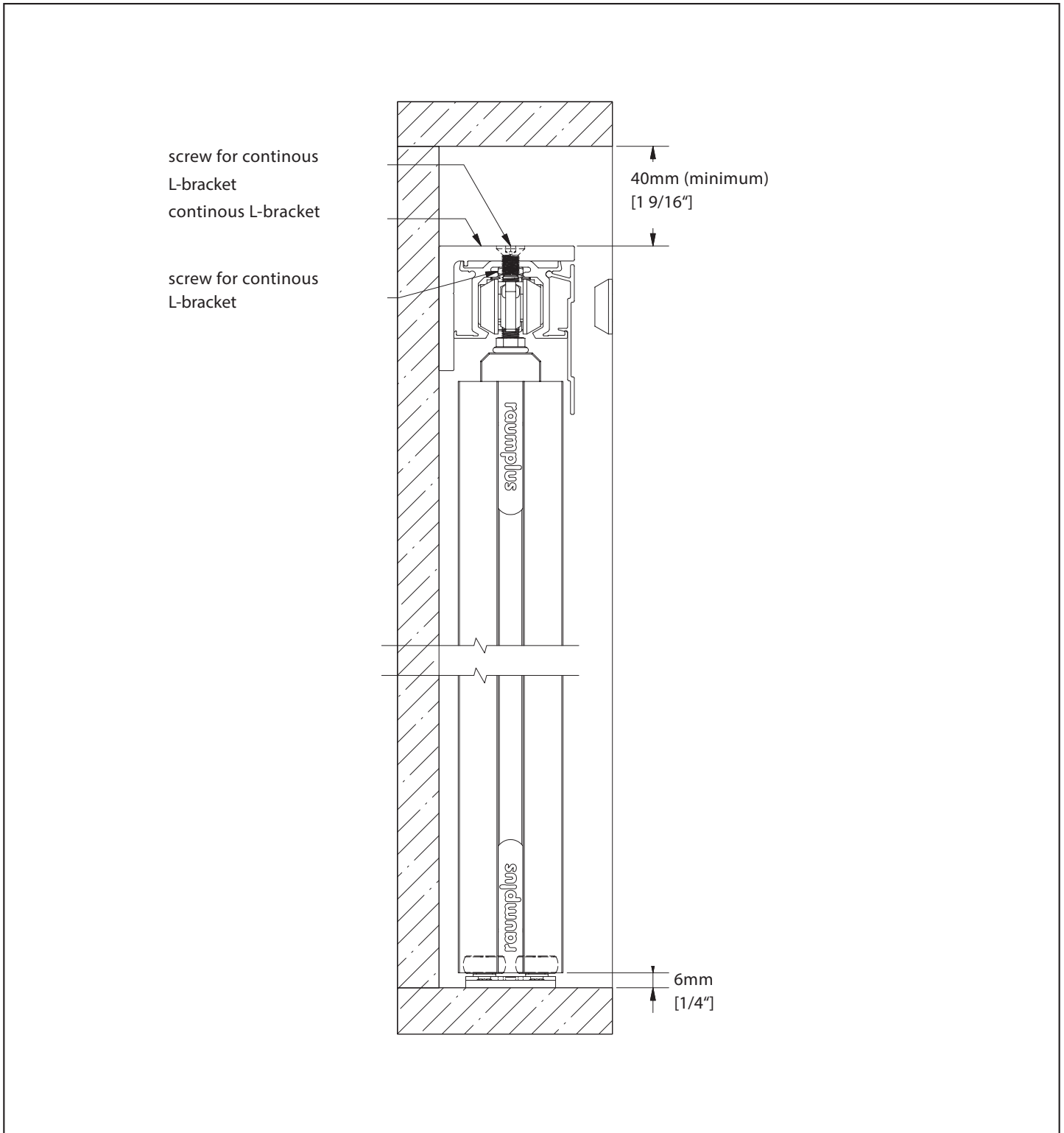
15_ positions of brush gasket

DETAIL DRAWING_AIR CEILING-MOUNTED



INSTALLATION_AIR

WALL-MOUNTED WITH CONTINUOUS L-BRACKET



INSTALLATION_AIR

WALL-FASTENING OF GROUND PLATE

