

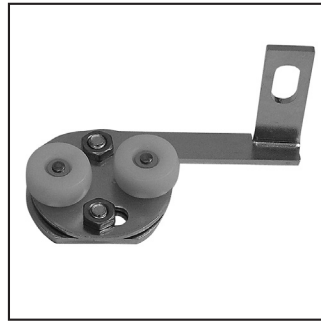
SLIDING DOOR SYSTEMS: INSTALLATION INSTRUCTIONS GANGING DEVICE (AIR)

V2017.1

ACCESSORIES:



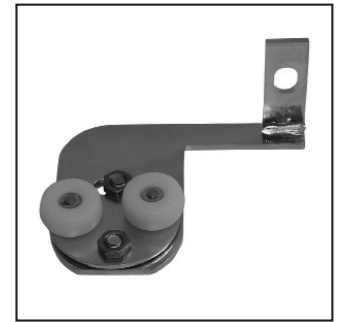
1_ S1500 Ganging device, left



2_ S1500 Ganging device,
right



3_ S3000 Ganging device, left

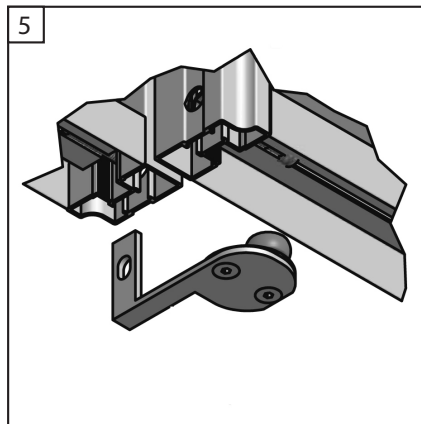
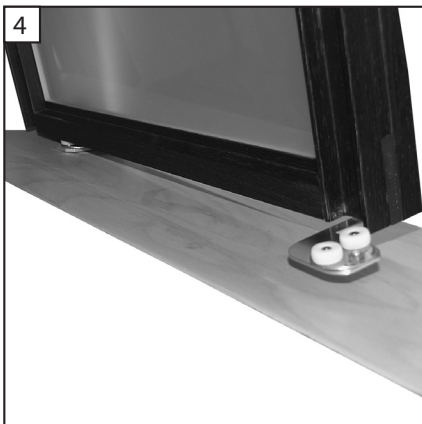
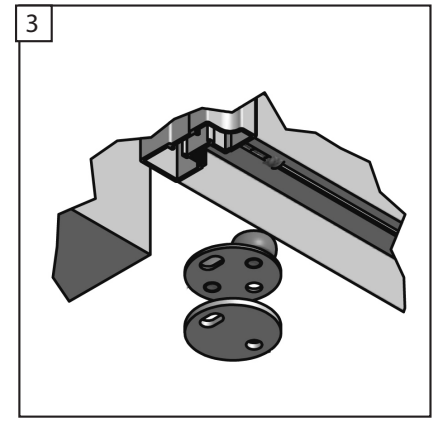
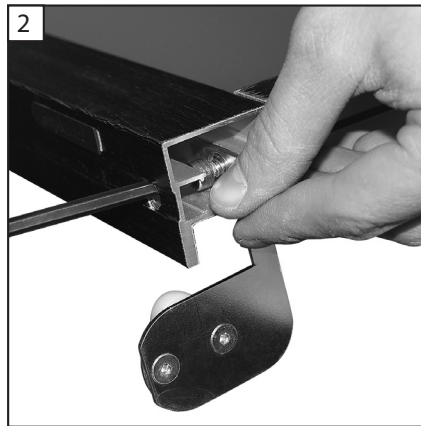
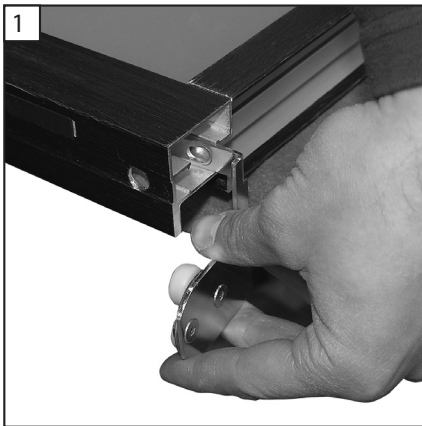


4_ S3000 Ganging device,
right

1_ When opening one door, the ganging device automatically pulls open the other connected door.

TOOLS: Allen key 5mm, 2x wrench 13mm [1/2"]

ASSEMBLY INSTRUCTIONS (Example series S3000):



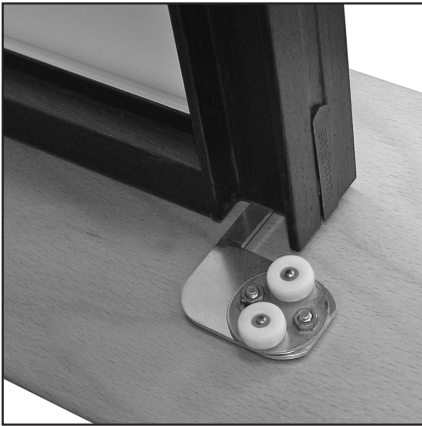
_ Please pay attention to see if you require a right or left ganging device.

_ Screw in the ganging device to the bottom of the stile using a frame screw (fig. 1 and 2).

_ Attach the ground plate with roller to the floor (fig. 3). (Use spacer if needed as shown in pictures).

_ The door with the ganging device will first be installed over the ground plate (fig. 4 and 5).

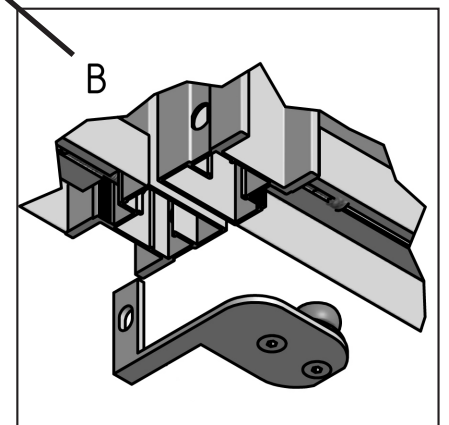
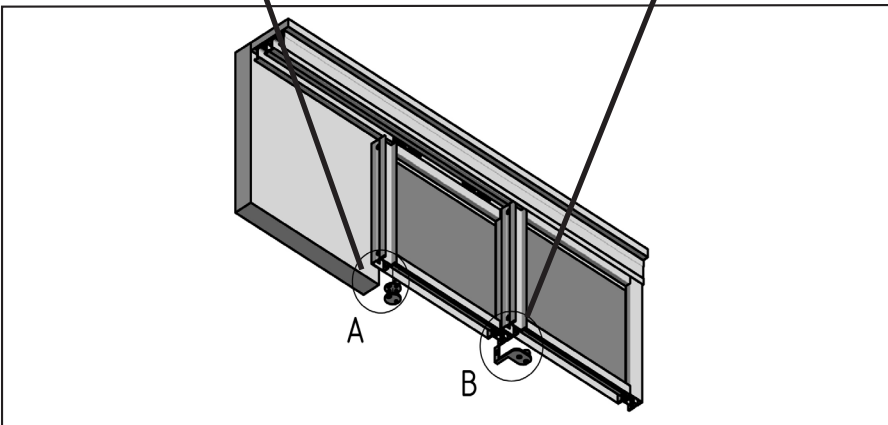
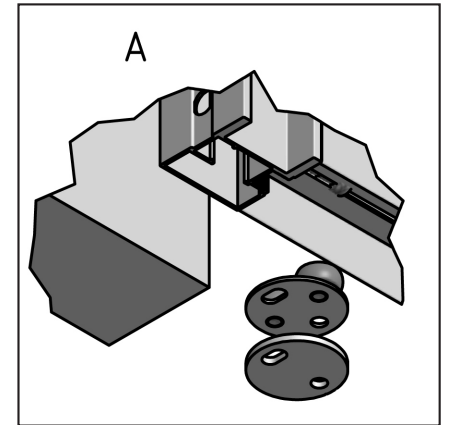
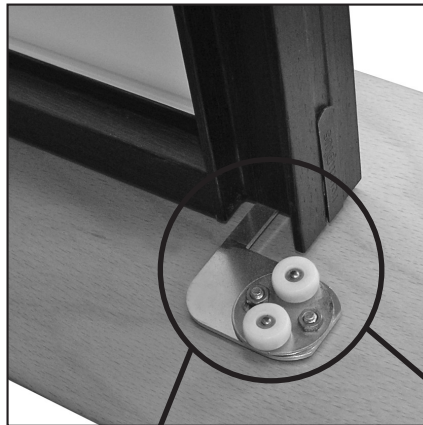
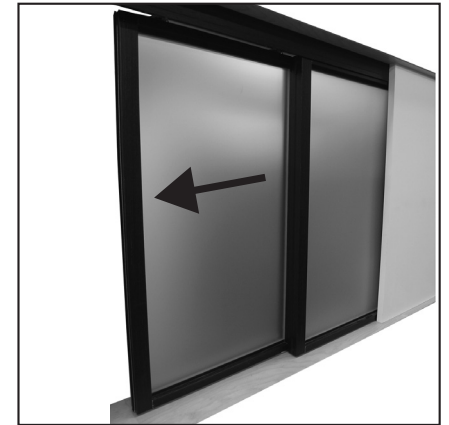
ASSEMBLY



Install, adjust, and screw in the door using the same technique as with all AIR-doors.

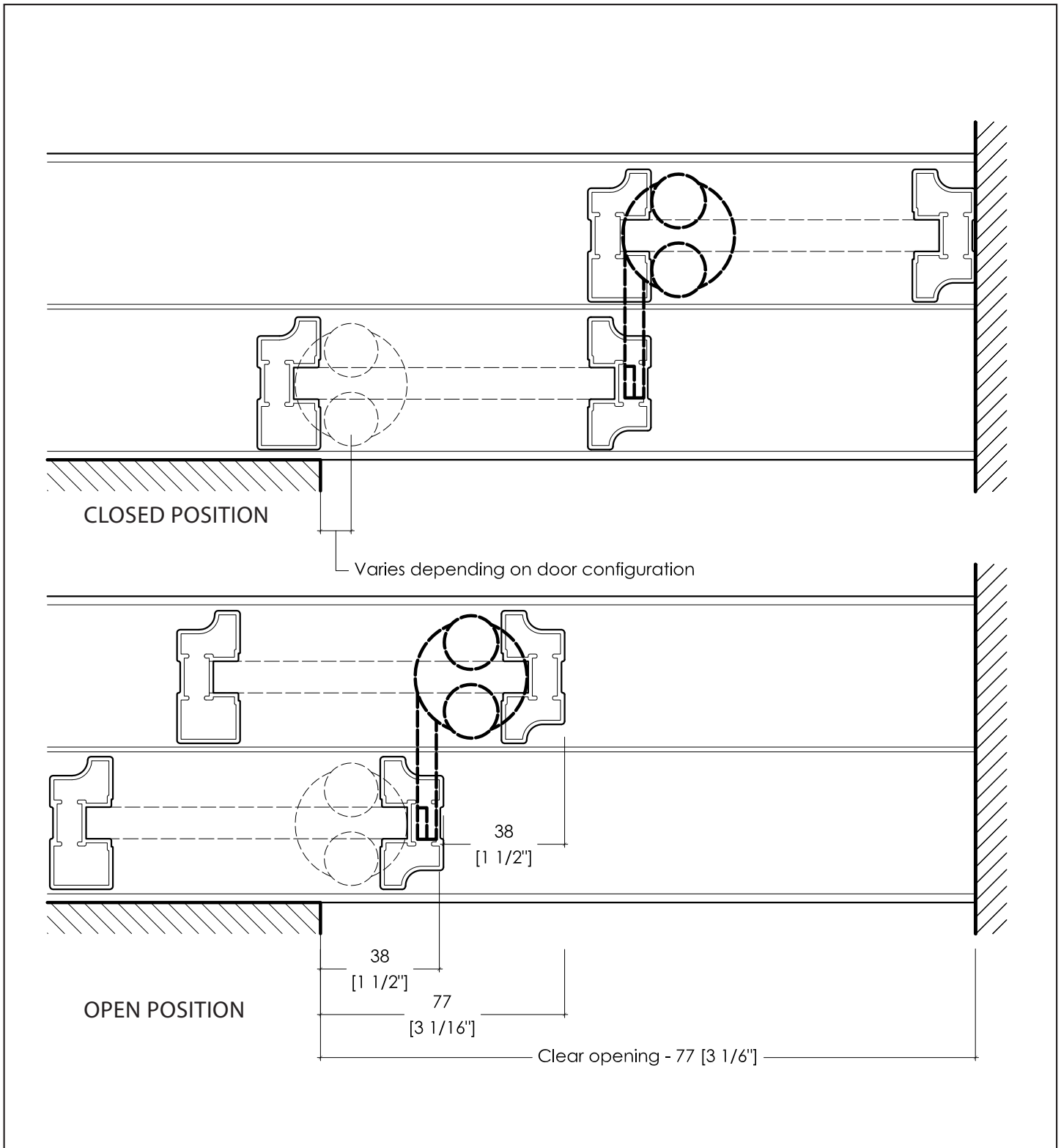
For the second door, first install it over the ganging device rollers of the first door and then also install, adjust and screw in the attachment points at the top.

This example shows the S3000 Ganging device, right.



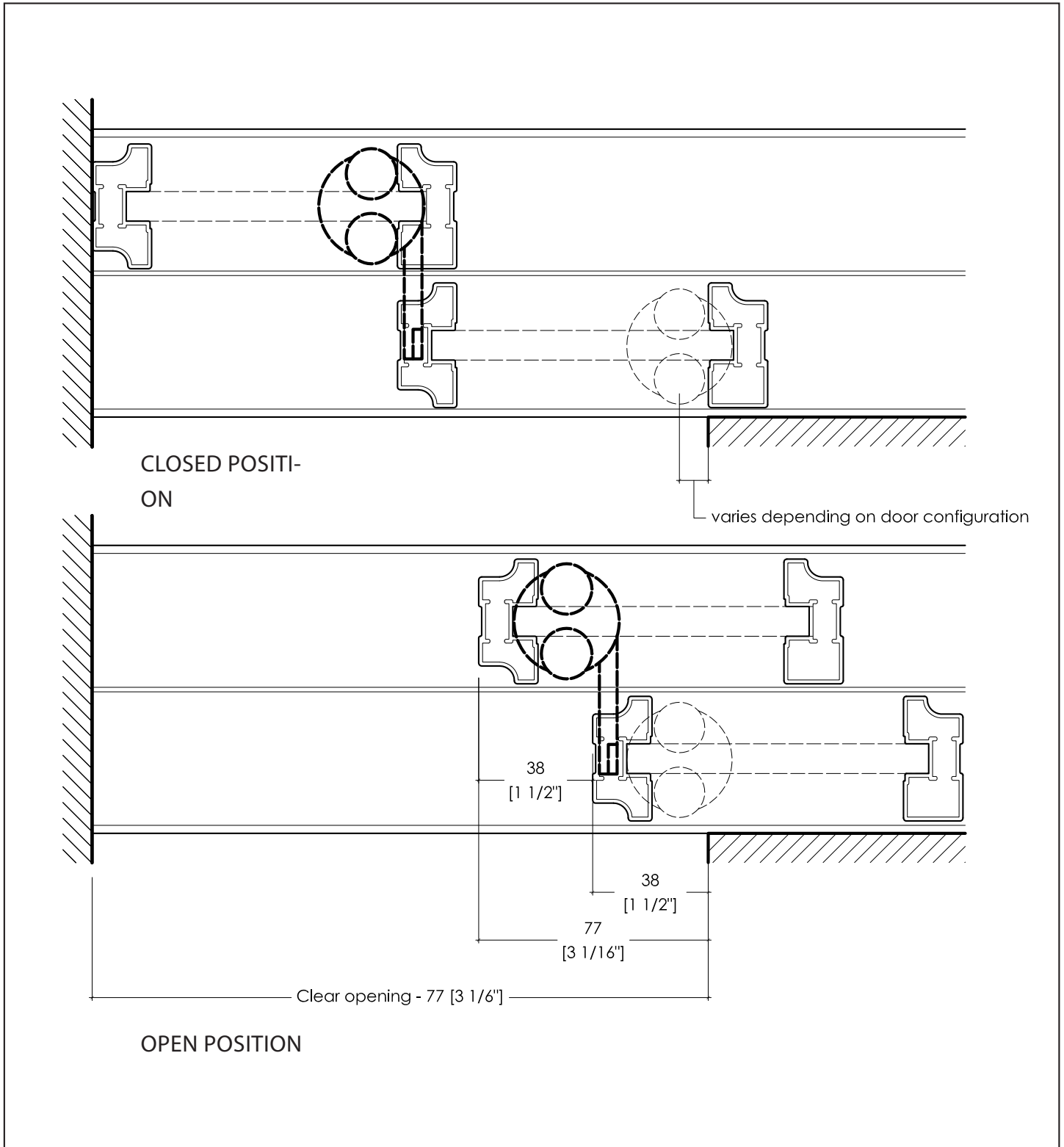
DETAIL DRAWING

S1500 AIR GANGING DEVICE, LEFT



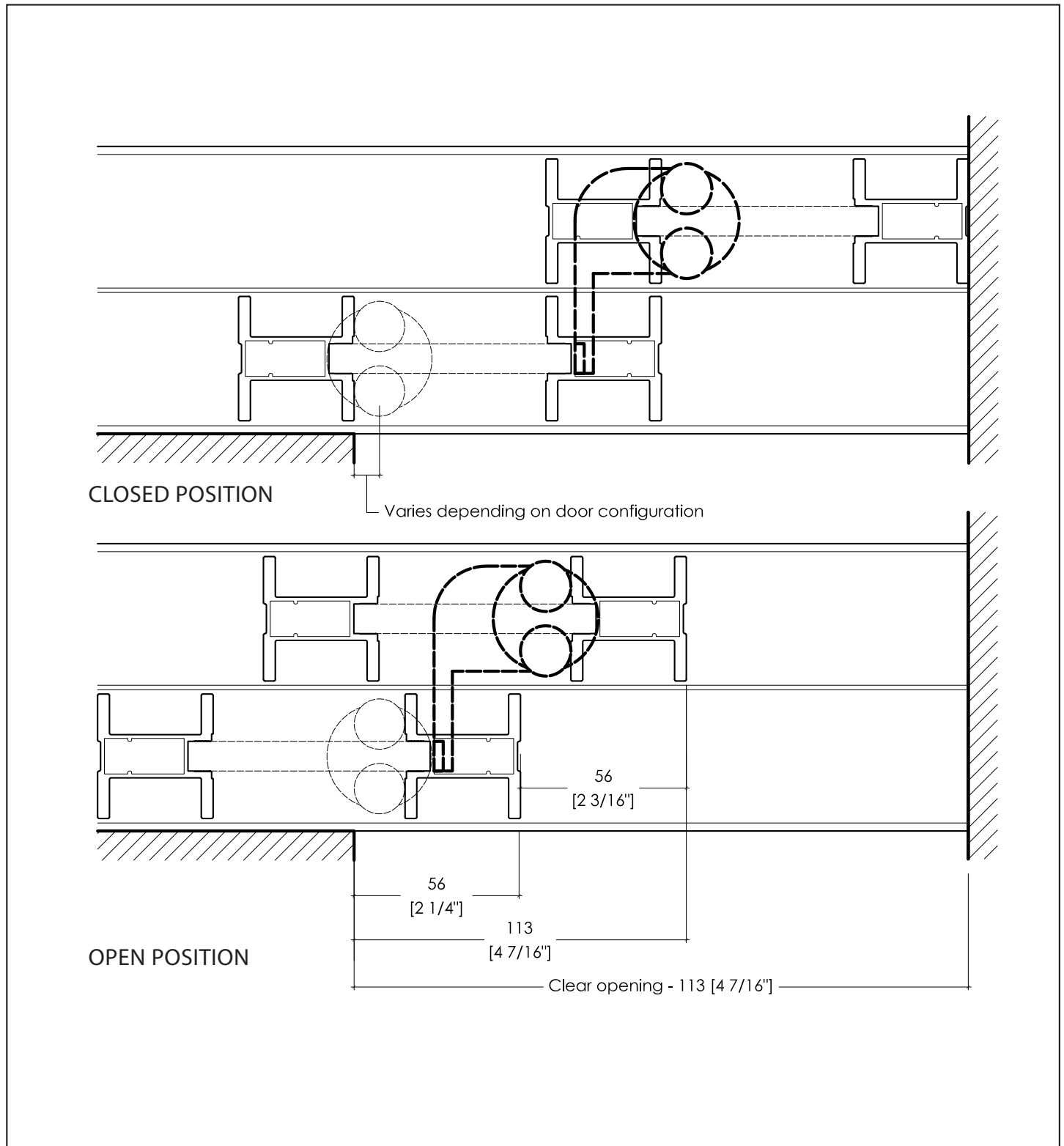
DETAIL DRAWING

S1500 AIR GANGING DEVICE, RIGHT



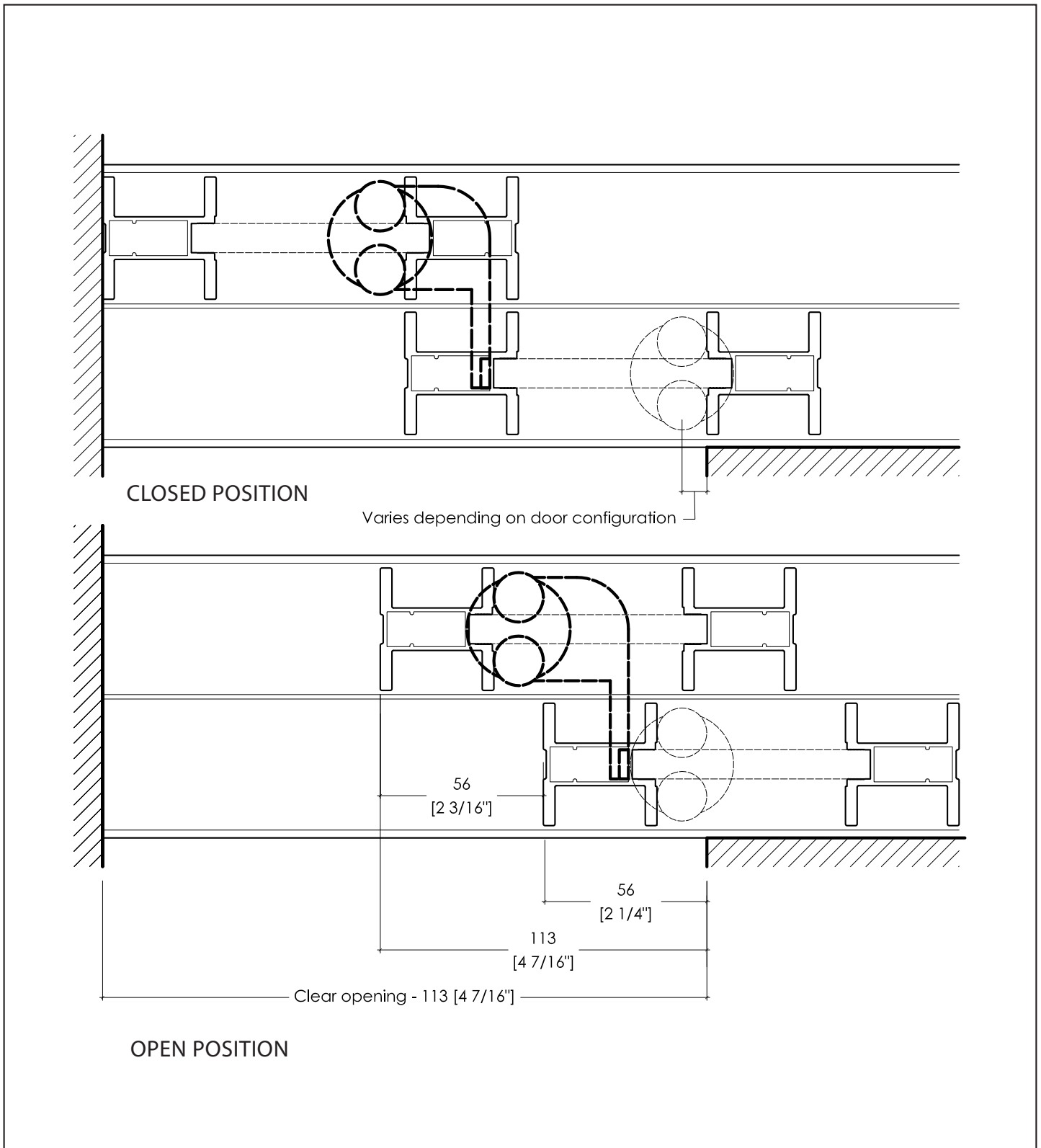
DETAIL DRAWING

S3000 AIR GANGING DEVICE, LEFT



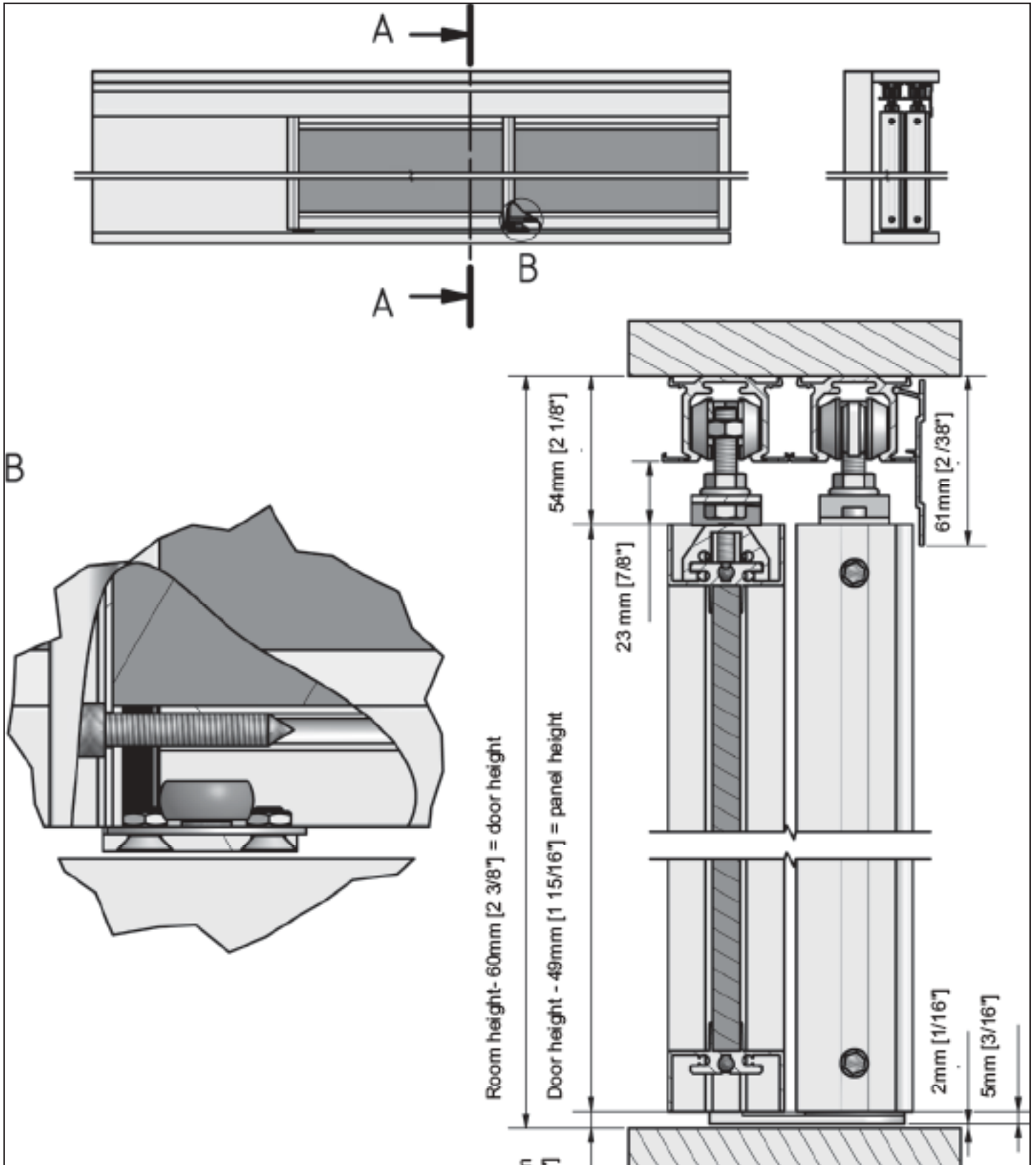
DETAIL DRAWING

S1500 AIR GANGING DEVICE, LEFT



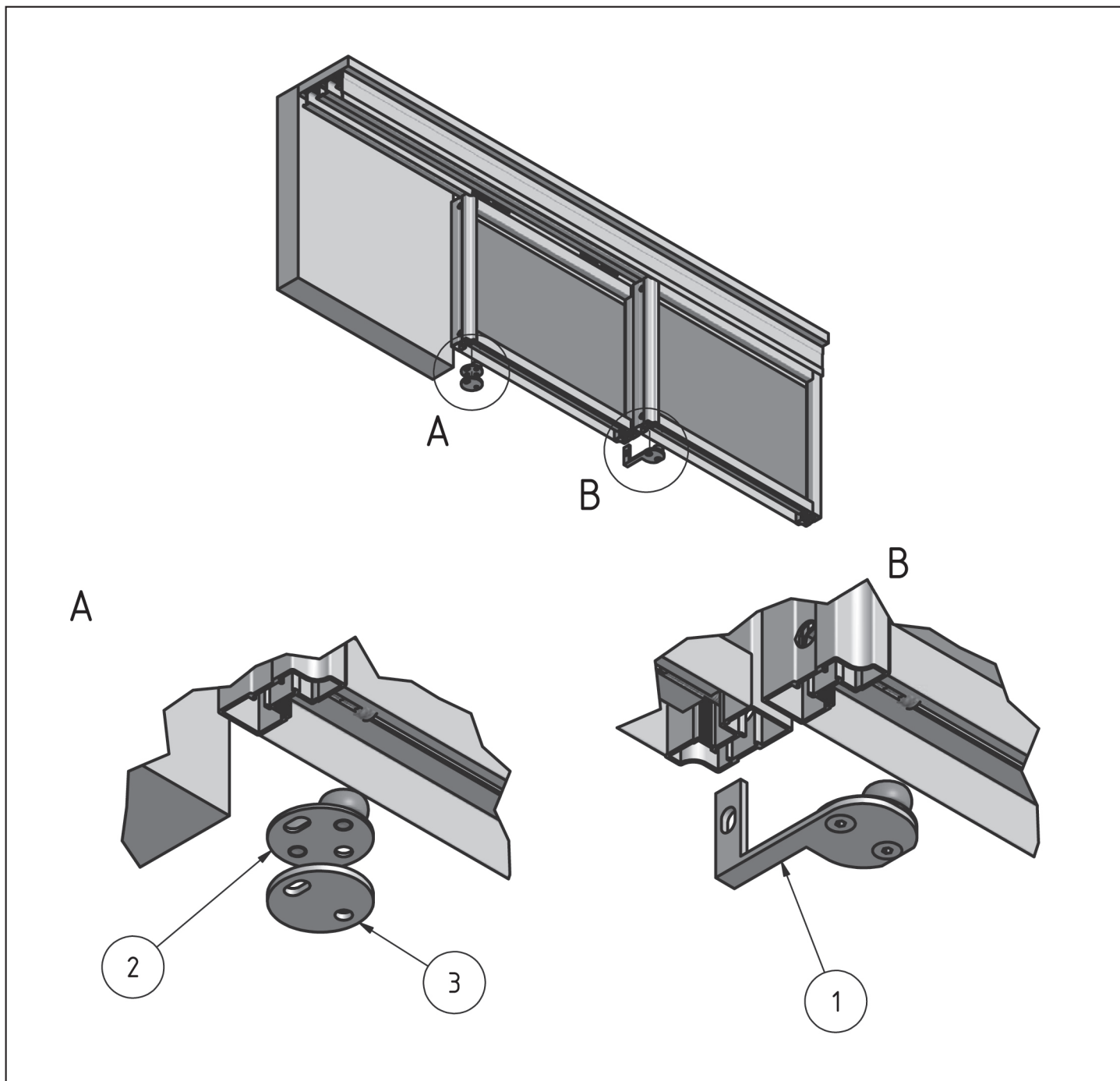
DETAIL DRAWING

S1500 AIR



DETAIL DRAWING

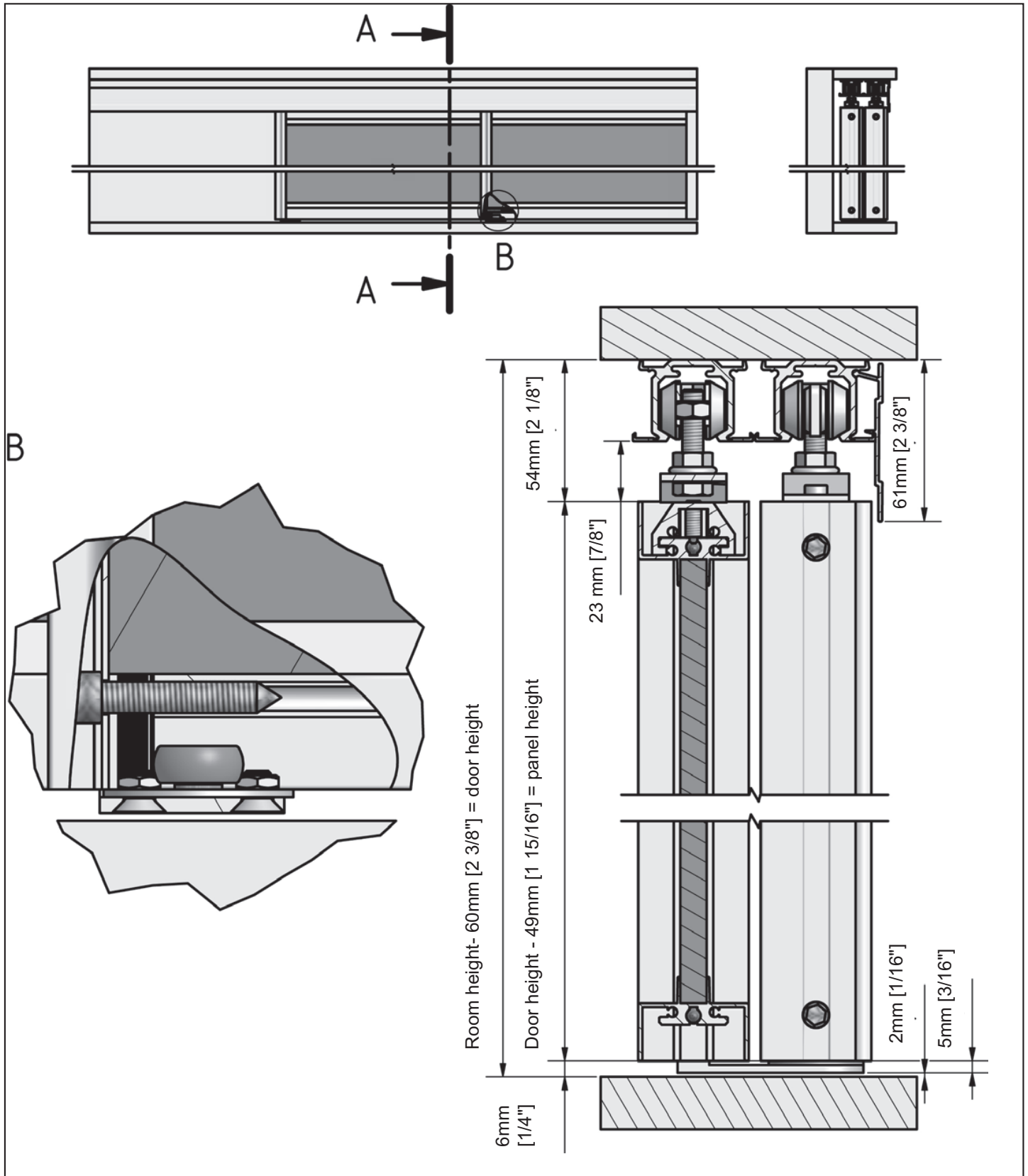
S1500 AIR



OBJECT	QUANTITY	DESCRIPTION
1	1	S1500 Ganging device
2	1	Ground plate with roller
3	1	Ground plate without roller

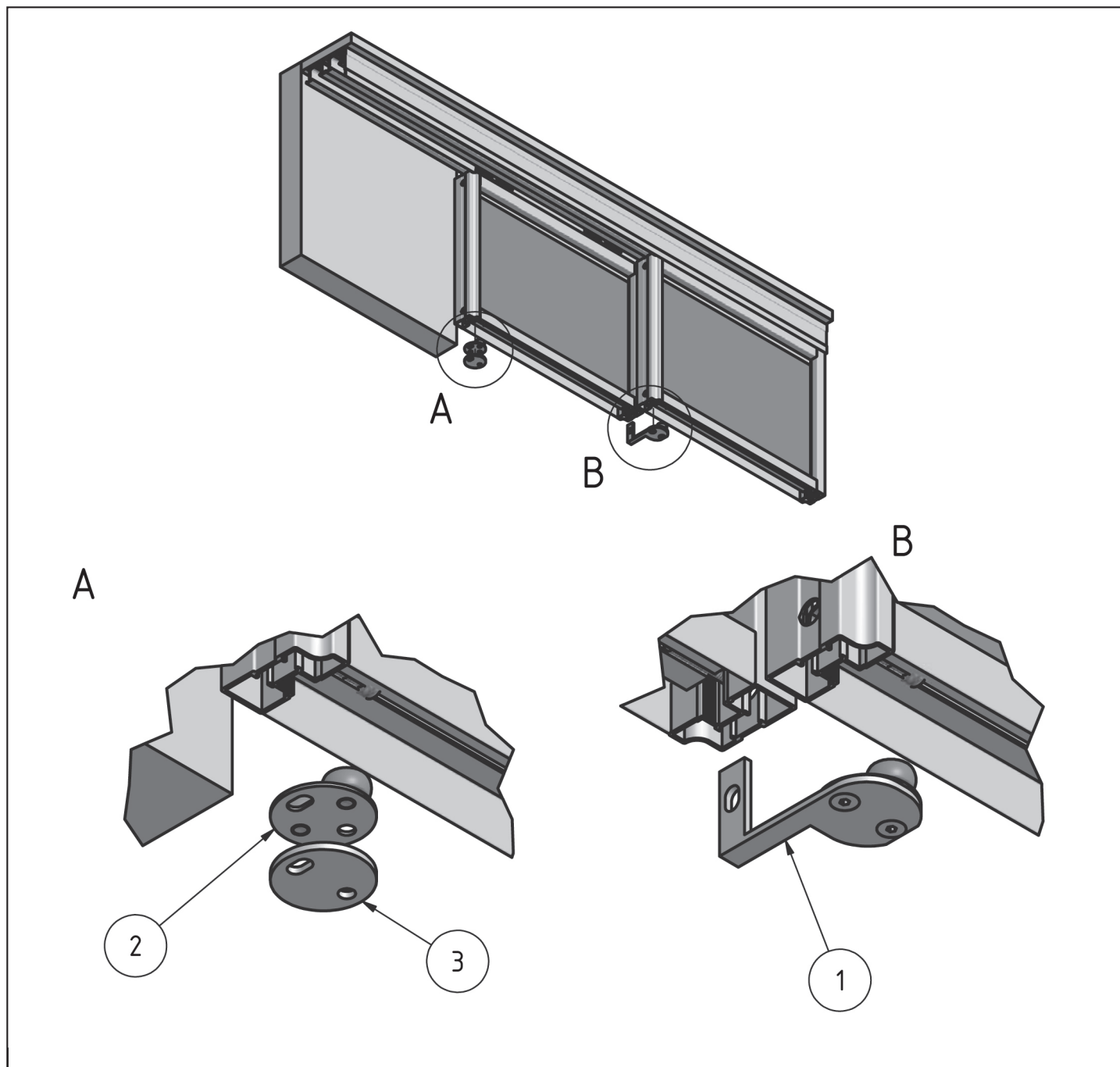
DETAIL DRAWING

S3000 AIR



DETAIL DRAWING

S3000 AIR



OBJECT	QUANTITY	DESCRIPTION
1	1	S3000 Ganging device
2	1	Ground plate with roller
3	1	Ground plate without roller