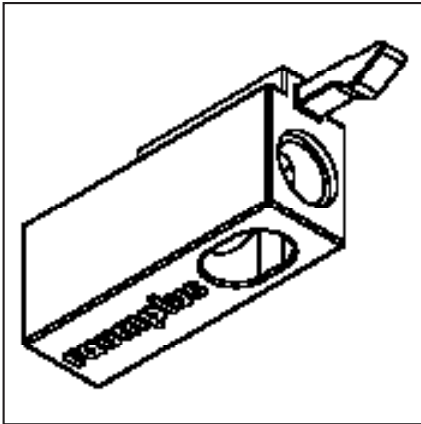


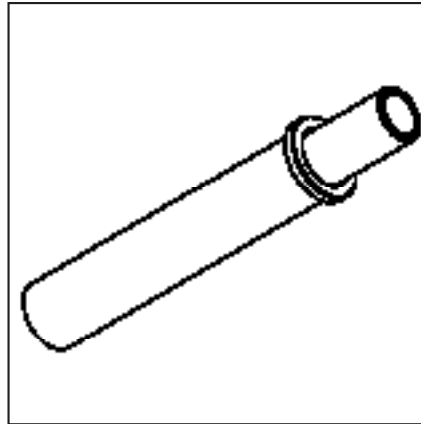
# SLIDING DOOR SYSTEMS: INSTALLATION INSTRUCTIONS STOPPER WITH BRAKE (AIR)

V2017.1

## ACCESSORIES:



1\_



2\_

Stopper with brake for the AIR System\_ consisting of:

Stopper for top roller, AIR System (Fig. 1)

Damper for end stopper, AIR System (Fig. 2)

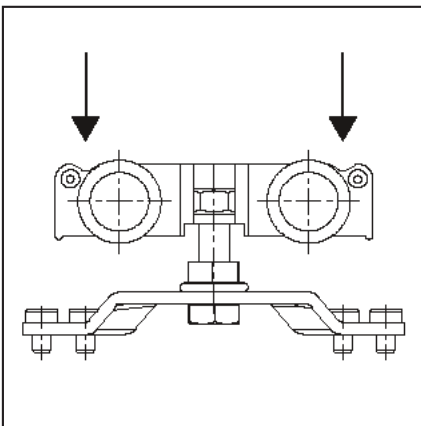
## TOOLS:

Drill, drill set (metal)

## FUNCTIONAL DESCRIPTION:

The Stopper with brake serves to keep the Air door in the desired closing position.

The longitudinal hole allows for a fine adjustment of approx. 4mm [3/16"] horizontally.



Minimum requirements for the screw (not included):

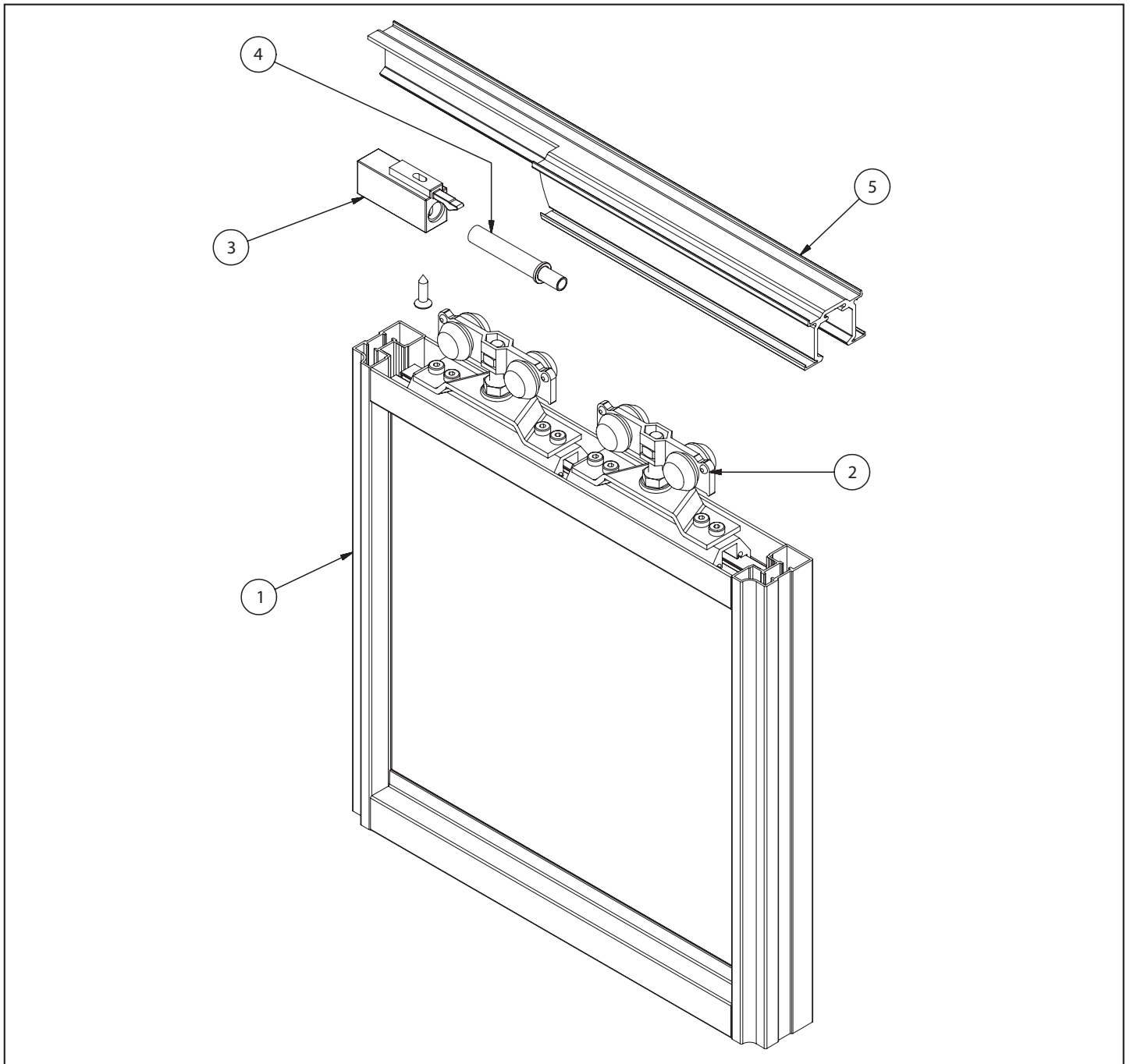
- \_ countersunk screw
- \_ 4mm [3/16"] diameter
- \_ screw head max. 9mm [3/8"] diameter
- \_ minimum length 19mm [3/4"]

Combination options: Can be combined with S1500 and S3000 vertical profile. Important: Basic requirement for the function is the combination with the top roller "AIR" adjustable with notches (Fig. 3).

Technical details subject to change.

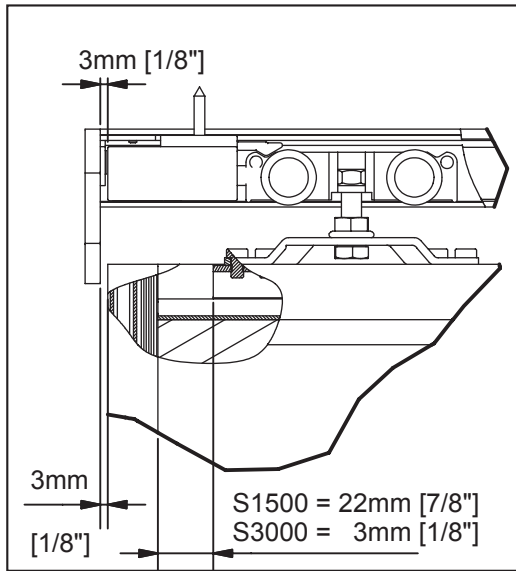
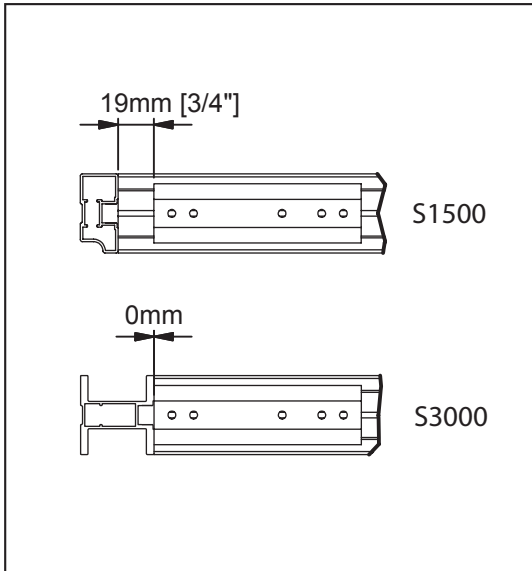
# DETAIL DRAWING

S1500 AIR



OBJECT	QUANTITY	DESCRIPTION
1	1	S1500 Asymmetrical stile
2	2	AIR Top roller
3	2	AIR Stopper with brake
4	2	Dampner (included with AIR stopper wtih brake)
5	1 (varies by order)	AIR Top track

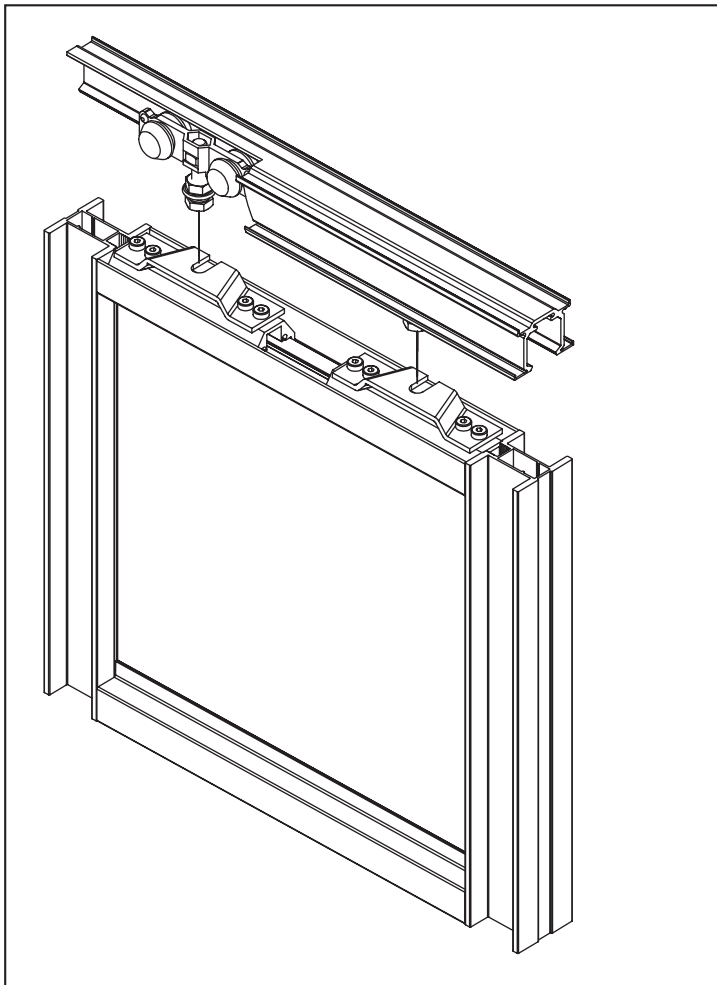
# ASSEMBLY



When using the end cap for track profile the following measurements are valid:

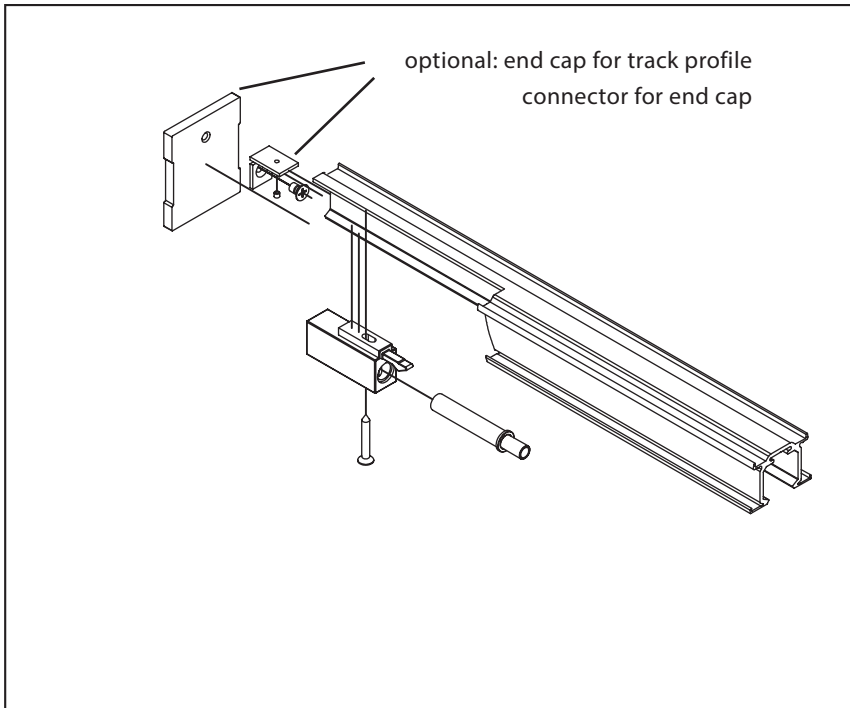
1\_Standard-measurements

2\_Check the distance from the vertical profile to the support

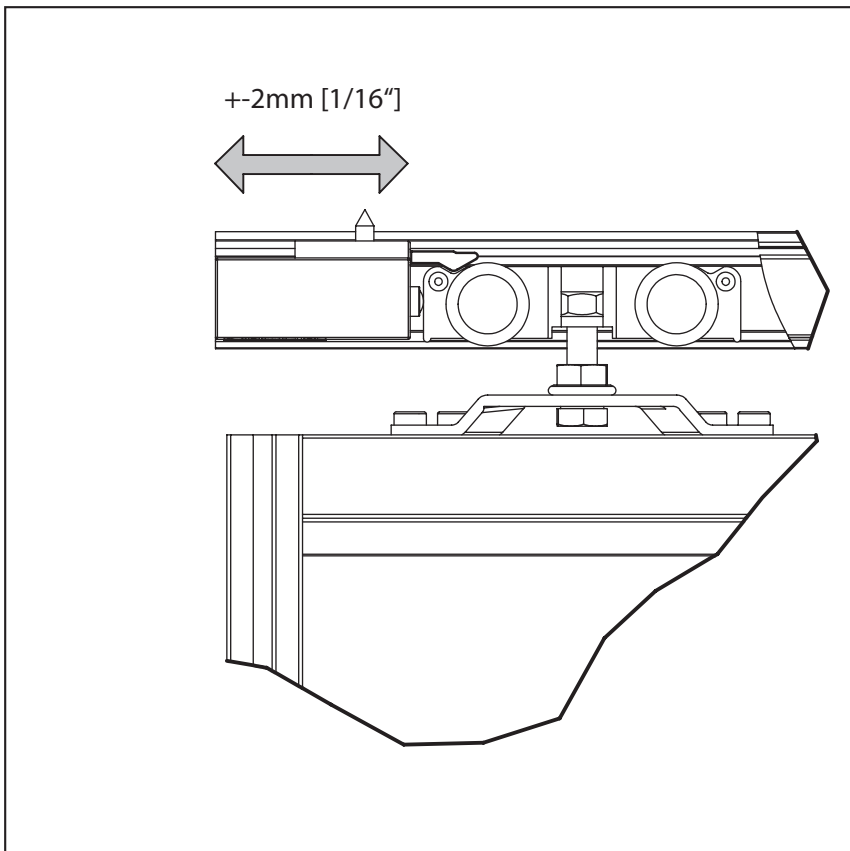


3\_Attach door to rollers

# ASSEMBLY



3\_Bring the stopper for the top roller into the correct position, mark the drill hole and drill. Then slide the damper into the opening provided for it.



4\_Check the performance and if necessary finely adjust the stopper for top roller (2mm [1/16"] ).