

SLIDING DOOR SYSTEM:

INSTALLATION INSTRUCTIONS FOR HEALTHCARE

HOW TO INSTALL A SLIDING DOOR (AIR)

V2018.1

CONTENT

General information / Tools_page 03

Technical terms_page 04 - 05

Installation_page 06 - 09

Detail drawings_pages 10 - 11

GENERAL INFORMATION AND TOOLS

GENERAL INFORMATION:

Preparation:

We recommend reading these instructions before starting.

Carefully unpack and check all items before beginning assembly.

When transporting assembled doors; always lift at corners and lean doors on their side – never stand them upright as this may damage the top roller.

The high quality raumplus family of sliding door systems offers a wide range of possibilities. Systems with or without bottom track, ceiling or wall mounted systems, corner solutions, locks, applied and true divided panels.

The "HOW TO INSTALL A SLIDING DOOR (AIR)" FOR HEALTHCARE describes the process of installing an AIR top hung system.

For other instructions, please see:

INSTALLATION INSTRUCTIONS_AIR GANGING DEVICE

INSTALLATION INSTRUCTIONS_AIR BRAKE

HOW TO ASSEMBLE A SLIDING DOOR (AIR)

HOW TO INSTALL A SLIDING DOOR (S34 + S42)

HOW TO ASSEMBLE A SLIDING DOOR (S34 + S42)

For additional instructions see website www.raumplusna.com

Technical details are subject to change.

INFORMATION:

It is assumed that you have exactly identified all cutting dimensions according to the measurement instruction for raumplus-products.

max. door weight: 60kg [130 lbs]

TOOLS:

aluminium saw

allen wrenches: 3mm, 4mm, 5mm

wrench: 13mm

drill

drills bits: 6.5mm, 8.5mm, 10mm

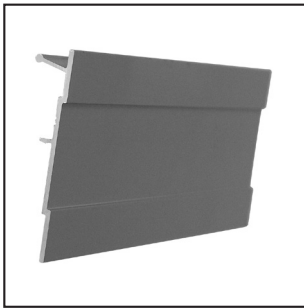
white rubber mallet

masking tape

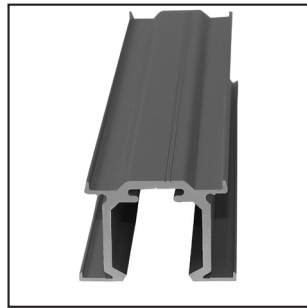
pencil

level

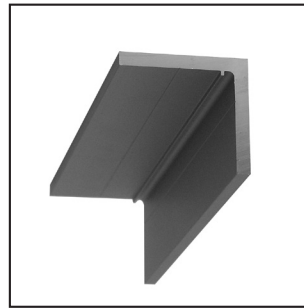
COMPONENTS_AIR HEALTHCARE



1_



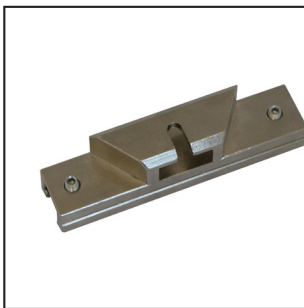
2_



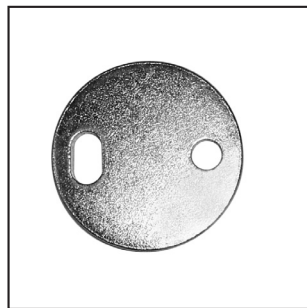
3_



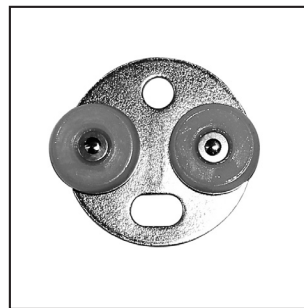
4_



5_



6_



7_



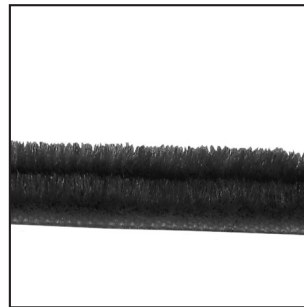
8_



9_



10_



11_



12_

1_Cover for insert profile_is to be fixed (clasped) onto the top track and covers the top roller.

2_Top track insert system AIR_is either to be mounted at ceiling or at the wall (continuous L-bracket needed).

3_Contionuous L-Bracket_is to be affixed to the wall and holds the AIR track.

4_Top roller_is pushed into the top track and allows door to roll. Part # 10.06.200

5_Fixation plate for top roller_ connects door to top roller. Part # 10.06.020

6_Ground plate without roller_Used as shim beneath AIR Ground plate with roller. Part # 10.05.025

7_Ground plate with roller_Concealed under bottom rail, keeps door in line. Floor fasterner not included. Part # 10.06.030

8_Wall-mounted ground plate with roller_Used when ground plate may not be attached to the floor. Part # 10.05.022

9_Brake_Used between top rollers to slow doors. 1 per door. Part # 20.05.030

10_Stopper with positioner_Used for stopping door and holding in the closed and open position. 2 per door. Part # 10.05.015

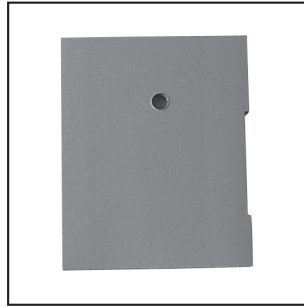
11_Rubber gasket_Used to cushion against wall, door or post.

12_Connector for end cap_to fasten the end cap to the insert profile.

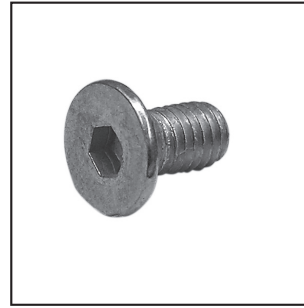
COMPONENTS_AIR HEALTHCARE



13_



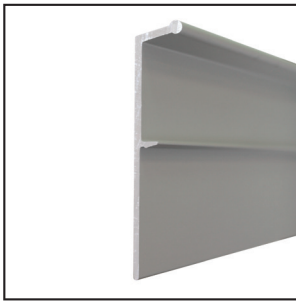
14_



15_



16_



17_

13_End cap (ceiling-mount)_For ceiling-mounted top track.

14_End cap (wall left or right)_ For wall-mounted top tracks.

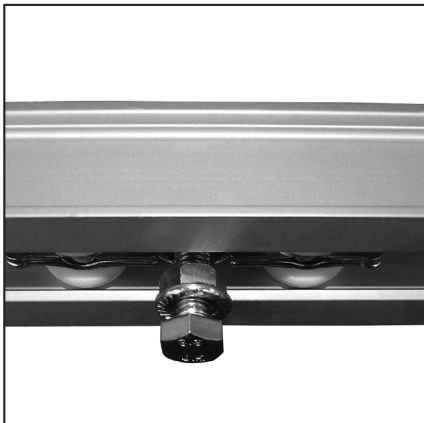
15_Screw for top track_ to affix the top track to the continuous L-bracket.

16_Nut for Continuous L-bracket_ to affix the top track to the continuous L-bracket.

17_Middle Valance_ Used between top tracks (optional).

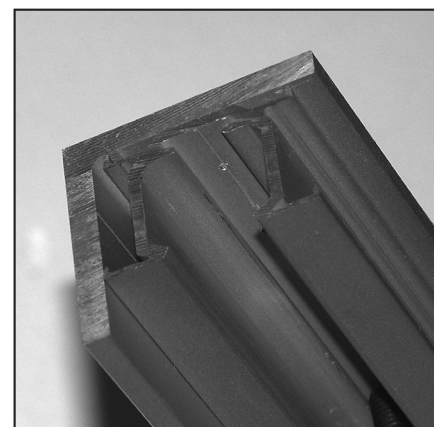
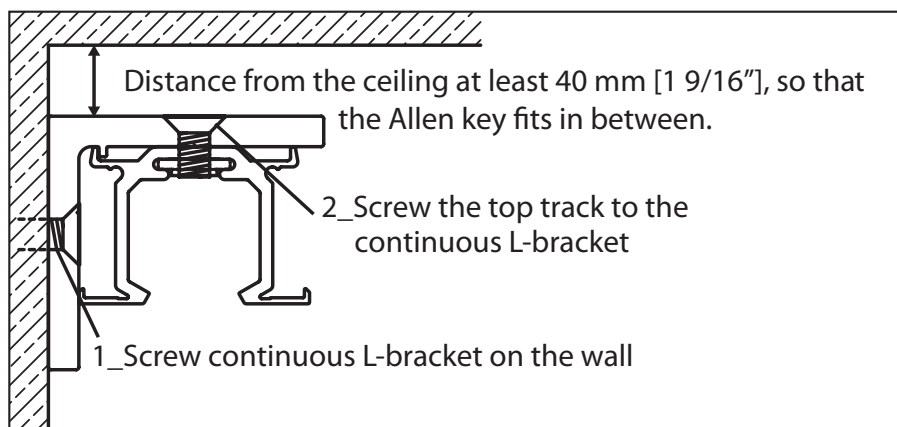
INSTALLATION_AIR HEALTHCARE

A_INSTALL TOP ROLLER INTO INSERT PROFILE:



Insert the roller into the top track. If the top track is to be installed from wall to wall, please make sure that you insert both top rollers, the brake between the rollers as well as the stoppers with positioners before installing the top track.

B_INSTALLATION OF TOP TRACK / INSERT PROFILE:

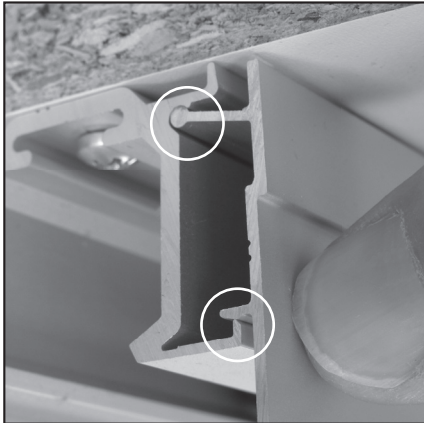


Before fastening the top track to the continuous L-bracket, you have to prepare the drill holes. It is important to fasten continuous L-bracket on the wall with a sufficient distance from the ceiling (at least 40 mm [1 9/16"]). Drill holes in regular distances (minimum distance of 40 to 50 cm [1 9/16" - 1 15/16"]) between borings) into the continuous L-bracket and countersink the outside of the top borings. Now drill holes into the top track with the same distances. First, mount the continuous L-bracket to the wall and then the top track to the continuous L-bracket or mount the top track directly to the ceiling. When you install the continuous L-bracket have the screw heads in top and the nut.

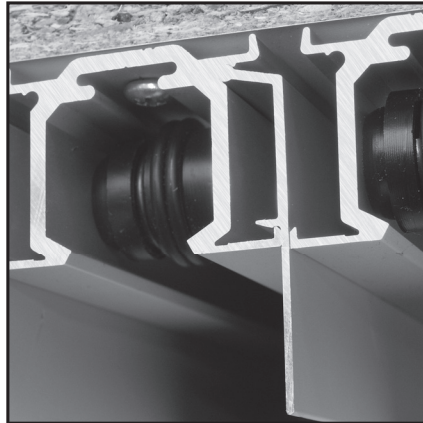
Please note: The stability is dependent upon the quantity and quality of the holes. There may be problems with the attachment to a suspended ceiling. The wall must be reinforced to hold a maximum load of 60kg [130lbs]

INSTALLATION_AIR HEALTHCARE

C_INSTALLATION OF THE MIDDLE VALANCE (OPTIONAL):



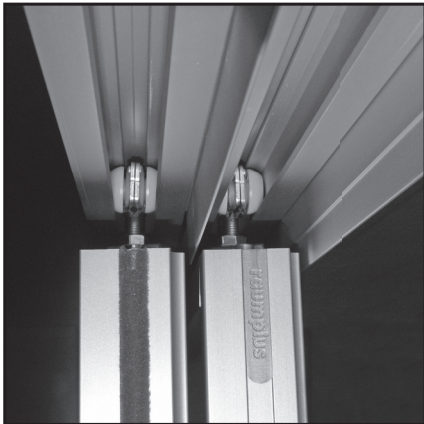
1_



2_



3_



4_

Attach the first top track in the planned position.

1_ Position the middle valance at the desired point on the top track. Insert the rounded edge of the middle valance into the semi-round opening of the top track that is intended for it. By pressing the edge across from it, snap the middle valance into the top track (illustr. 1_).

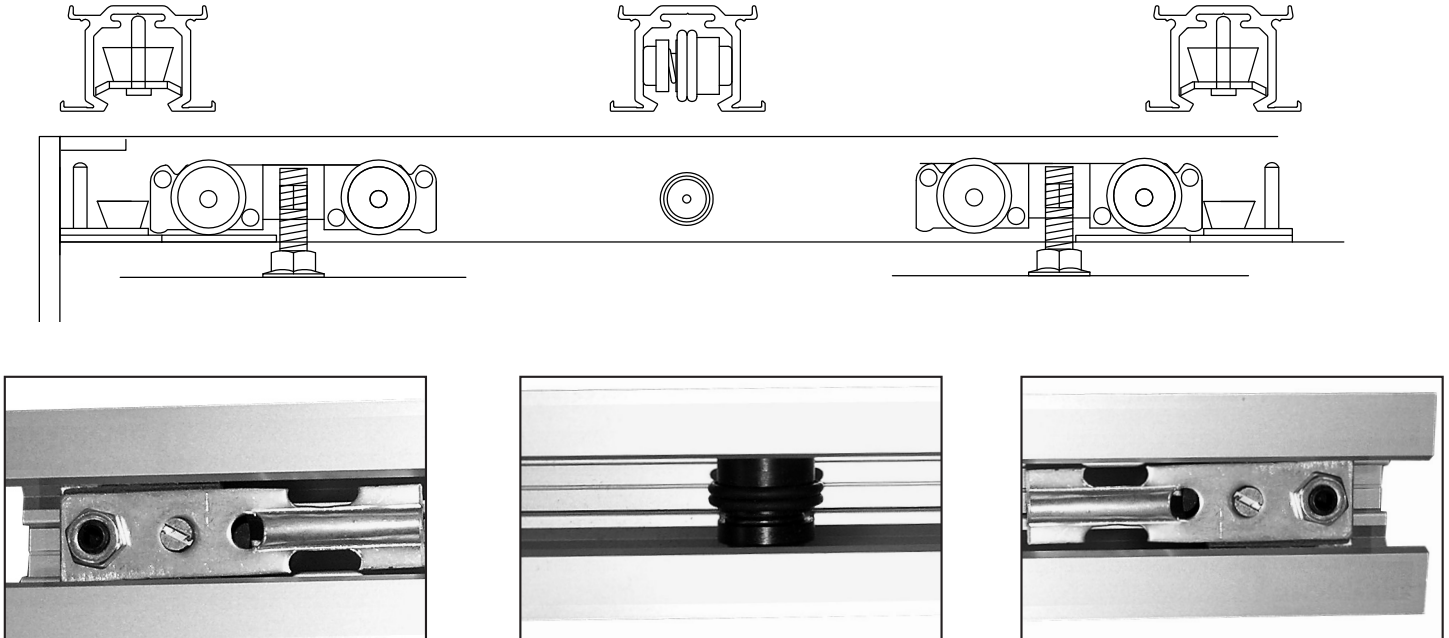
2_ Now position and attach the second top track to the already attached middle valance (illustr. 2_).

3_ With enclosed doors, the middle valance should only be attached in the area of the visible rear top track. Be sure the middle valance doesn't exceed the width of the door by more than 5 mm [3/16"] (illustr. 3_).

4_ If the middle valance is used for the entire width of the attached top track, the attachment and adjustment of the rear sliding door are no longer possible! The possibilities of attachment and adjustment are covered by the middle valance (illustr. 4_).

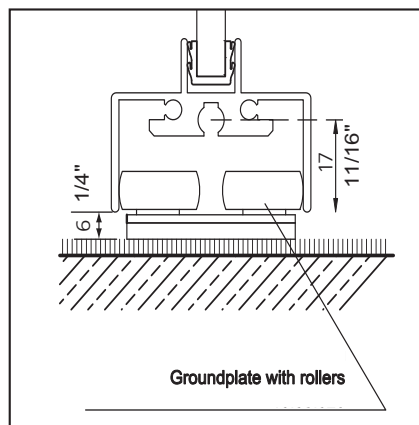
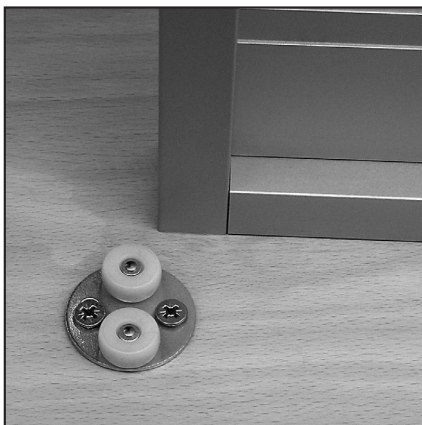
INSTALLATION_AIR HEALTHCARE

D_INSTALL STOPPER WITH POSITIONER AND BRAKE:



Install stopper with positioner and the brake for the AIR door in the top track as shown above (final adjustments to be made after doors are installed). Note: The brake for AIR door has to be positioned between both top roller of one doors.

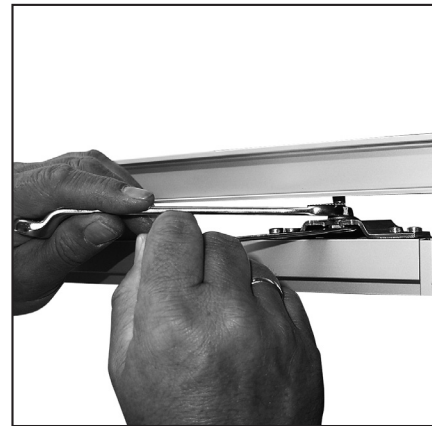
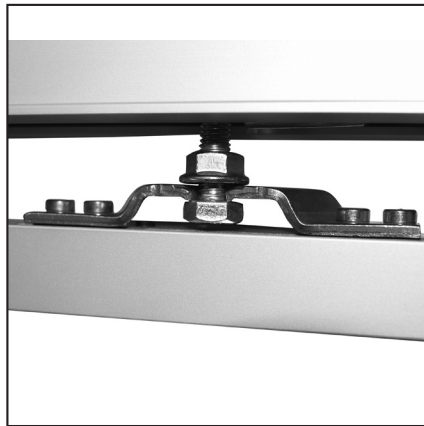
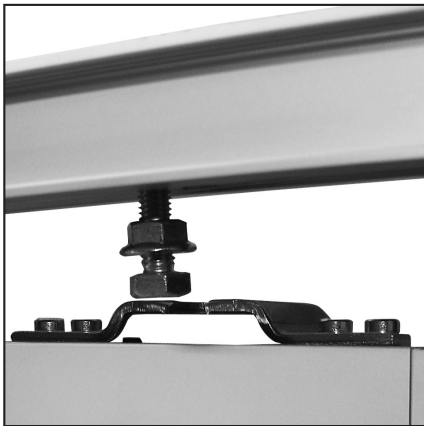
E_INSTALLATION OF GROUND WITH ROLLERS:



Mount the ground plate with rollers on the floor where the moving door will be located. For this put the door into position and mark the floor with tape where the ground plate will be installed. If there are differences in height on the floor put a ground plate without roller the floor and the ground plate.

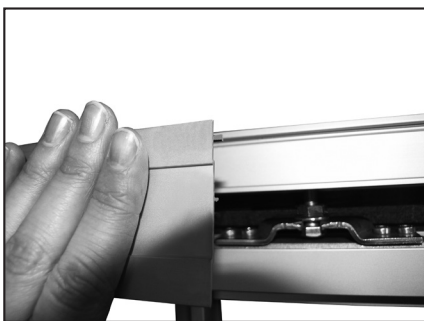
INSTALLATION_AIR HEALTHCARE

F_HANG-UP DOOR:



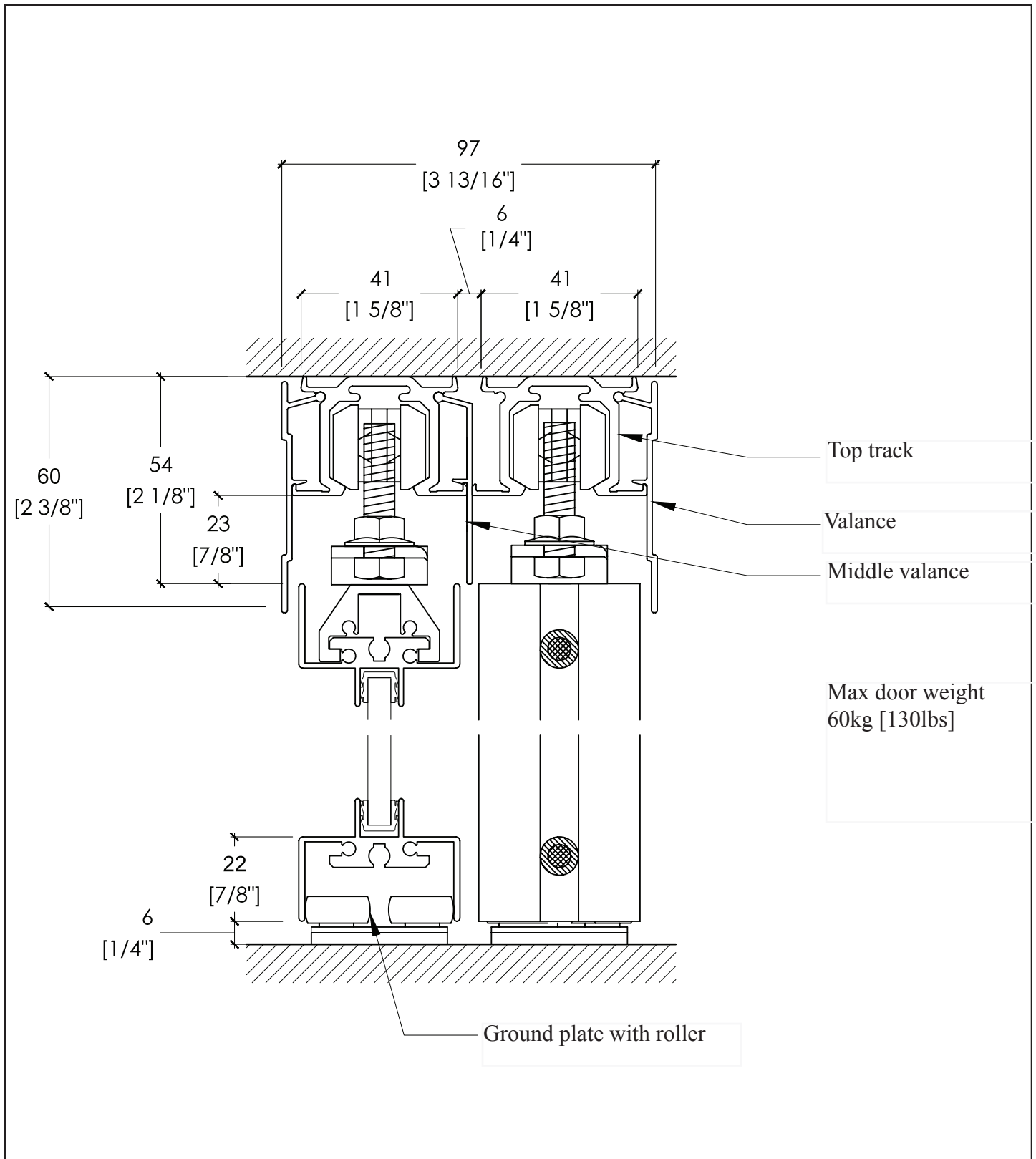
First, hang doors and adjust their height. Then tighten it with two top rollers with the help of two open-ended wrenches (13 mm [1/2"]).

G_INSTALL COVER:



Finally clip the cover in front of the AIR top track in order to cover the top roller.

DETAIL DRAWING_AIR HEALTHCARE



DETAIL DRAWING_AIR HEALTHCARE

