

SLIDING DOOR SYSTEM: ASSEMBLY INSTRUCTIONS HOW TO ASSEMBLE A SLIDING DOOR (AIR)

V2018.1

CONTENT

General information and tools_ page 03

Components_ page 04

Detail drawing_ page 05

Assembly_ page 06 – 07

GENERAL INFORMATION

GENERAL INFORMATION:

Preparation:

We recommend reading these instructions before starting.

Carefully unpack and check all items before beginning assembly.

When transporting assembled doors; always lift at corners and lean doors on their side – never stand them upright as this may damage the top roller.

The high quality raumplus family of sliding door systems offers a wide range of possibilities. Systems with or without bottom track, ceiling or wall mounted systems, corner solutions, locks, applied and true divided panels.

The "HOW TO ASSEMBLE A SLIDING DOOR (AIR)" describes the process of assembling an AIR top hung system.

For other instructions, please see:

INSTALLATION INSTRUCTIONS_AIR GANGING DEVICE

INSTALLATION INSTRUCTIONS_AIR BRAKE

HOW TO INSTALL A SLIDING DOOR (AIR)

HOW TO INSTALL A SLIDING DOOR (S34 + S42)

HOW TO ASSEMBLE A SLIDING DOOR (S34 + S42)

For additional instructions see website www.raumplusna.com

Technical details are subject to change

INFORMATION:

It is assumed that you have exactly identified all cutting dimensions according to the measurement instruction for raumplus-products.

max. door weight: 60kg [130 lbs]

TOOLS:

aluminium saw

allen wrenches: 3mm, 4mm, 5mm

wrench: 13mm (qty. 2)

drill

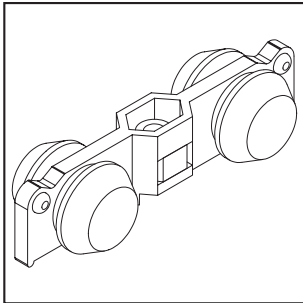
drill bits: 6.5 mm, 8.5 mm, 10 mm

straight edge (optional)

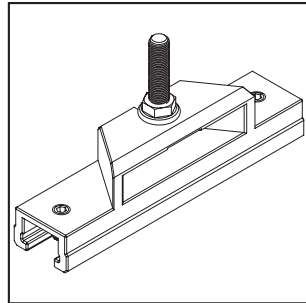
white rubber mallet

pencil

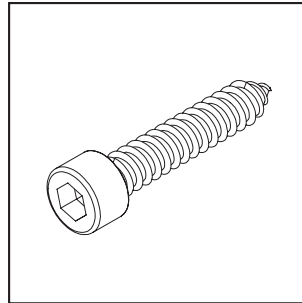
COMPONENTS_AIR



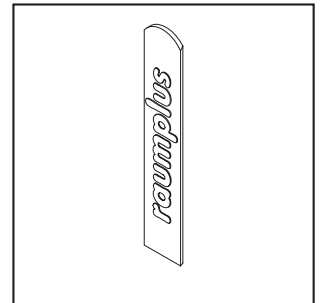
1_ 10.06.200



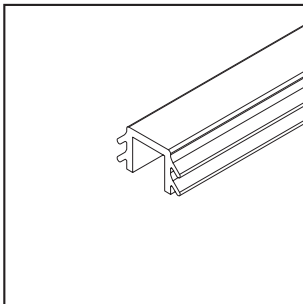
2_ 10.06.020



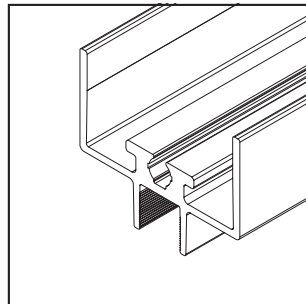
3_ 10.07.012



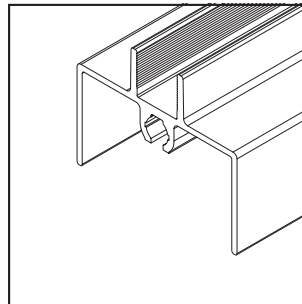
4_ 10.07.051



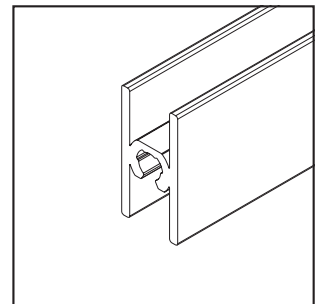
5_



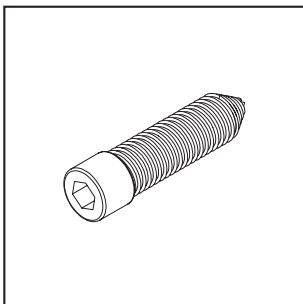
6_ 14.12.020



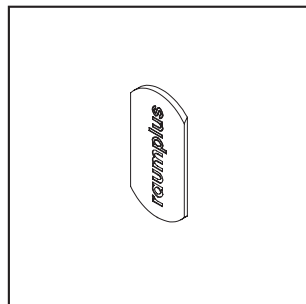
7_ 14.14.020



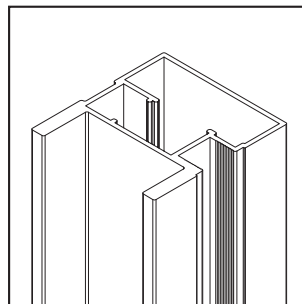
8_ 13.22.020



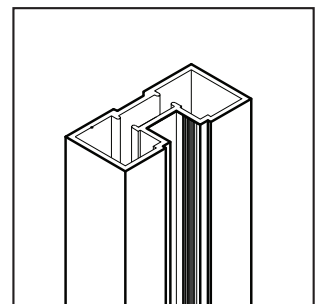
9_ 10.07.008



10_ 10.07.351



11_ 13.51.020



12_ 13.91.020

1_ AIR Top roller_ inserted into top track & guides door in track.

2_ AIR Fixation plate_ anchors door to AIR top roller and top rail. Fixation plate is directional

3_ Frame screw_ fastens frame together.

4_ Plug_ covers the drill holes for frame screws & dividers.

5_ Panel gasket_ seal between the panel and frame. If using panels 10mm [3/8"] no panel gasket required. Panel gasket available in 4mm, 5mm, 6mm, 7mm, 8mm

6_ AIR Top rail_ forms the top horizontal frame of door, attaches to fixation plate.

7_ AIR Bottom rail_ forms the bottom horizontal frame of door.

8_ True divider_ allows for the application of more than one panel in a door.

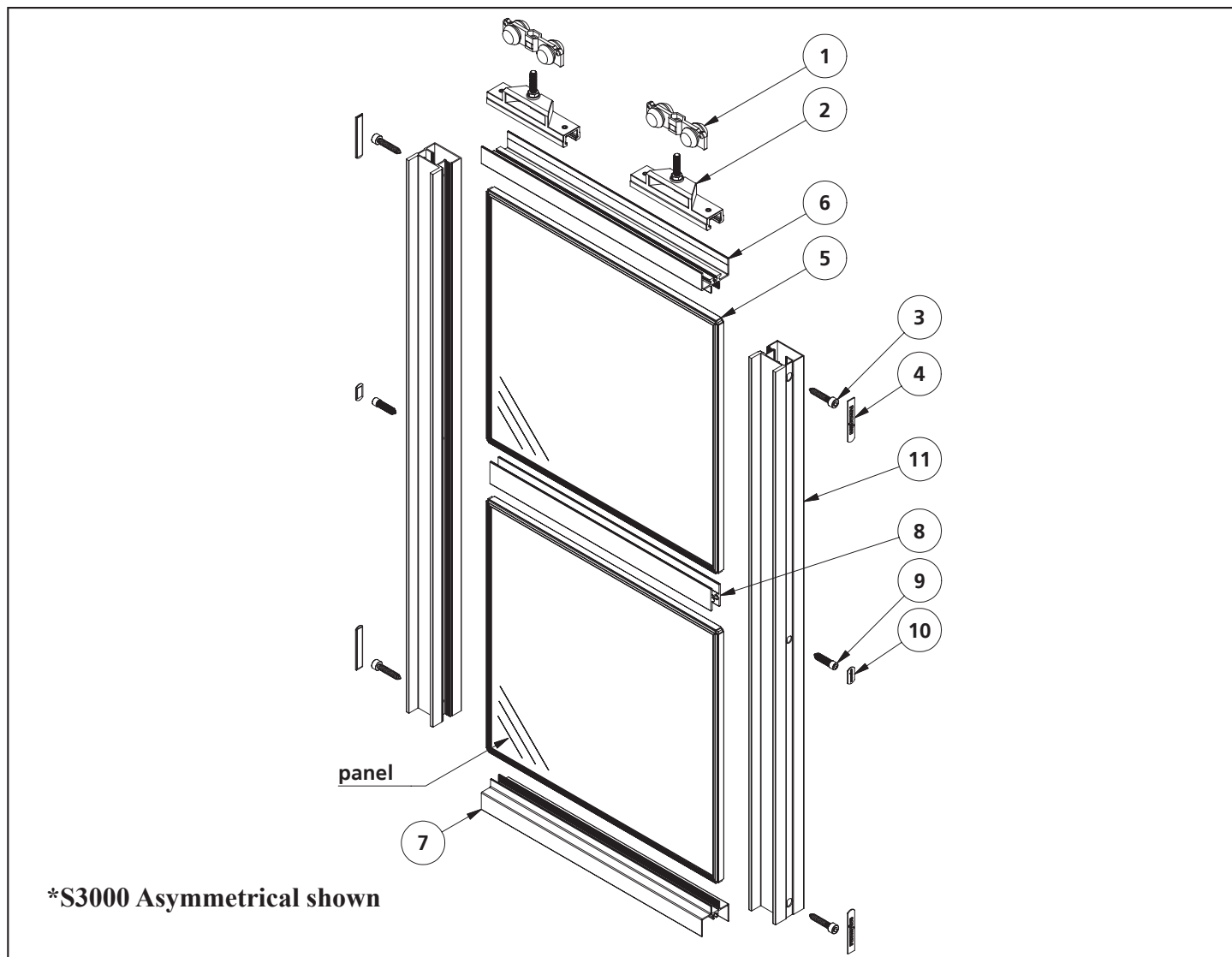
9_ 25mm Frame screw_ fastens dividing rail to stile (optional).

10_ Plug_ for dividing rails (optional).

11_ S3000 Asymmetrical stile (vertical profile)_ forms the vertical frame of the sliding door together with the top and bottom rails.

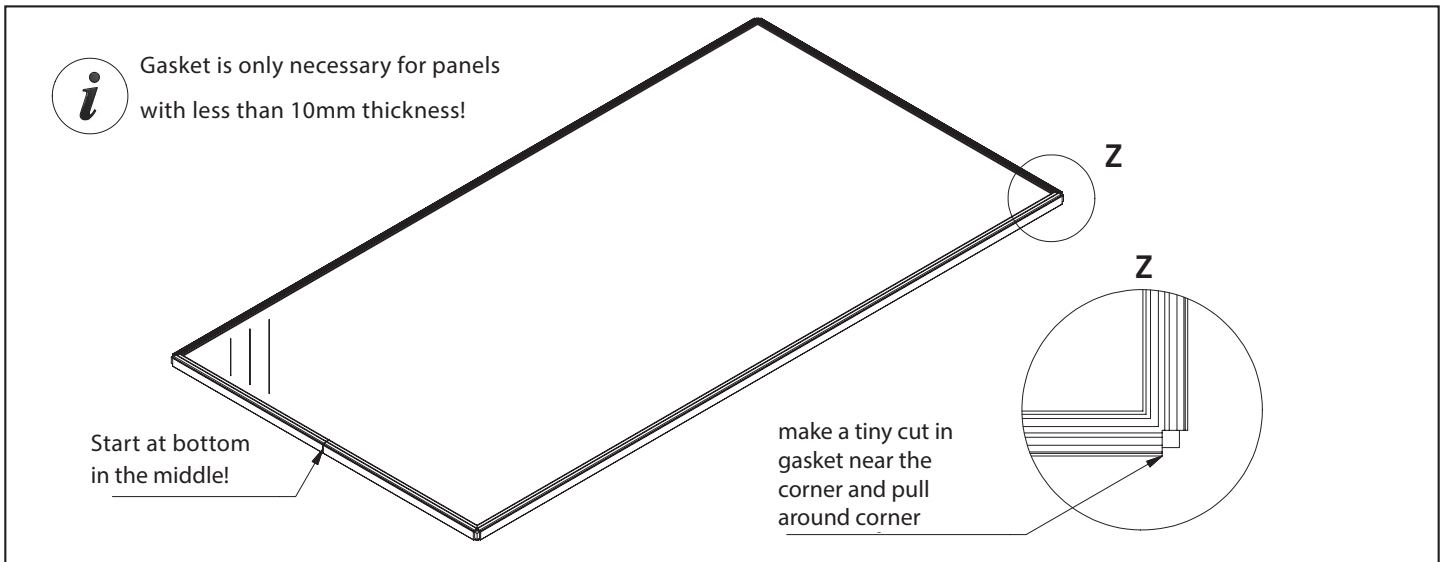
12_ S1500_ forms the vertical frame of the sliding door together with the top and bottom rails.

DETAIL DRAWINGS_AIR EXPLODED DRAWING

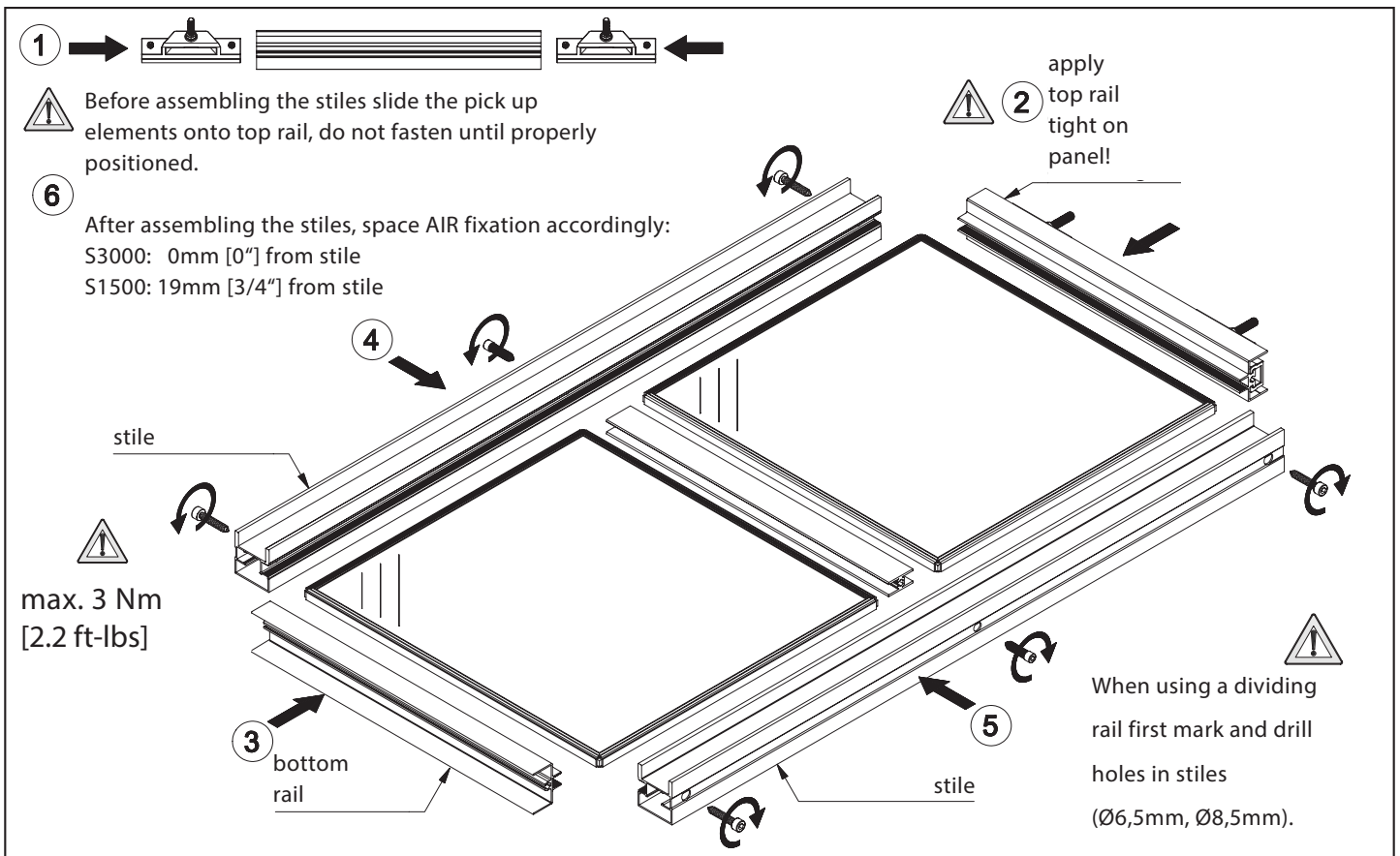


Object	Description
1	AIR Top roller_ inserts into top track and attaches to fixation plate
2	AIR Fixation plate_ attaches to top rail and fixation plate. Directional
3	Frame screw_ fastens stiles and rails together
4	Plug_ covers drill holes for frame screws
5	Panel gasket_ seal between frame and panel
6	AIR Top rail_ top horizontal frame of door, attaches to fixation plate
7	AIR Bottom rail_ bottom horizontal rail of door
8	True divider_ divider between separate panel materials (optional) also see applied dividers
9	25mm Frame screw_ fastens true divider to frame (optional)
10	Plug_ covers drill holes for true divider (optional, used with #8)
11	S3000 Stile_ vertical frame of door (asymmetrical shown)

ASSEMBLY_AIR

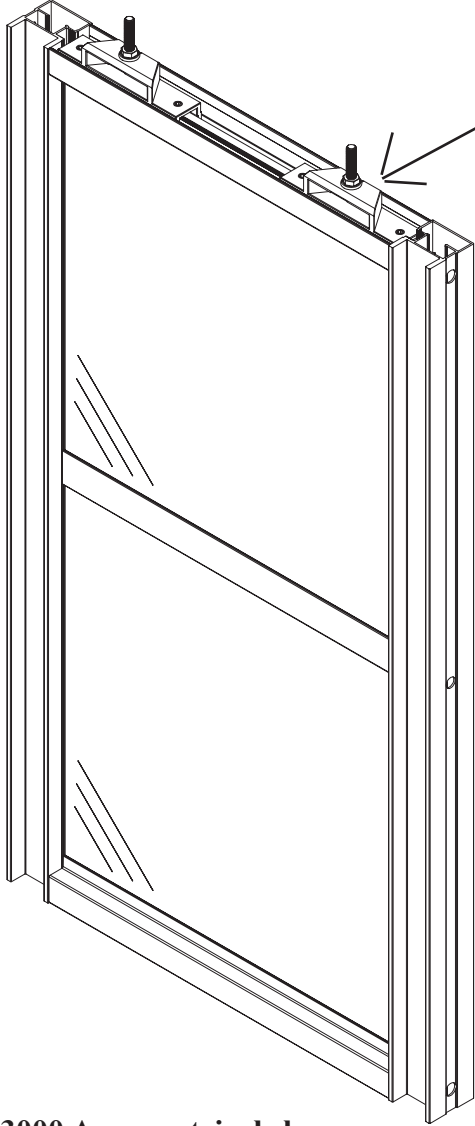


1_ place panel on a table, affix gasket (only at panels with less than 10mm thickness)



2_ apply stiles with rubber mallet, fasten together (max. 3Nm, 2.2 ft-lbs) then check with straight edge

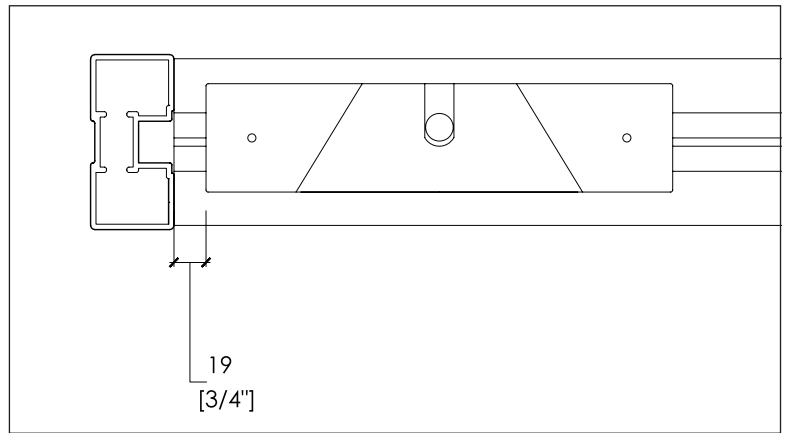
ASSEMBLY_AIR



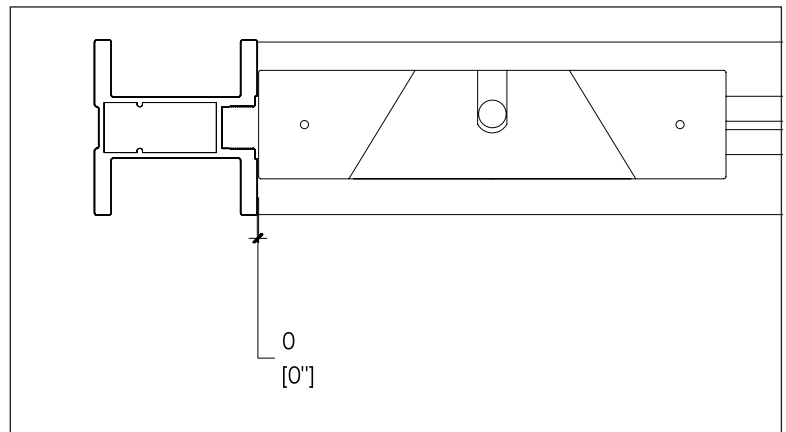
***S3000 Asymmetrical shown**

***IMPORTANT** -see page 6 regarding AIR fixation mounting. If fixation plates are not mounted correctly, this could cause separation between panel and rail.

After assembling the stiles, space AIR fixation accordingly:
S3000: 0mm [0"] from stile
S1500: 19mm [3/4"] from stile
Tighten once properly spaced



S1500 shown.



S3000 shown.

3_ Assembled AIR S3000 sliding door with true dividing rail (dividing rail optional).